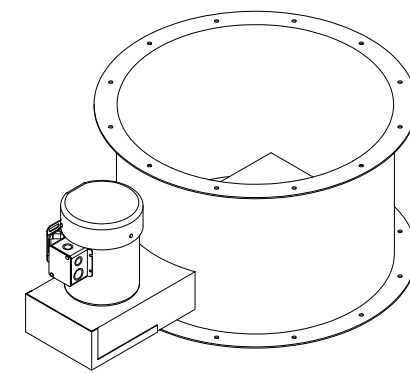
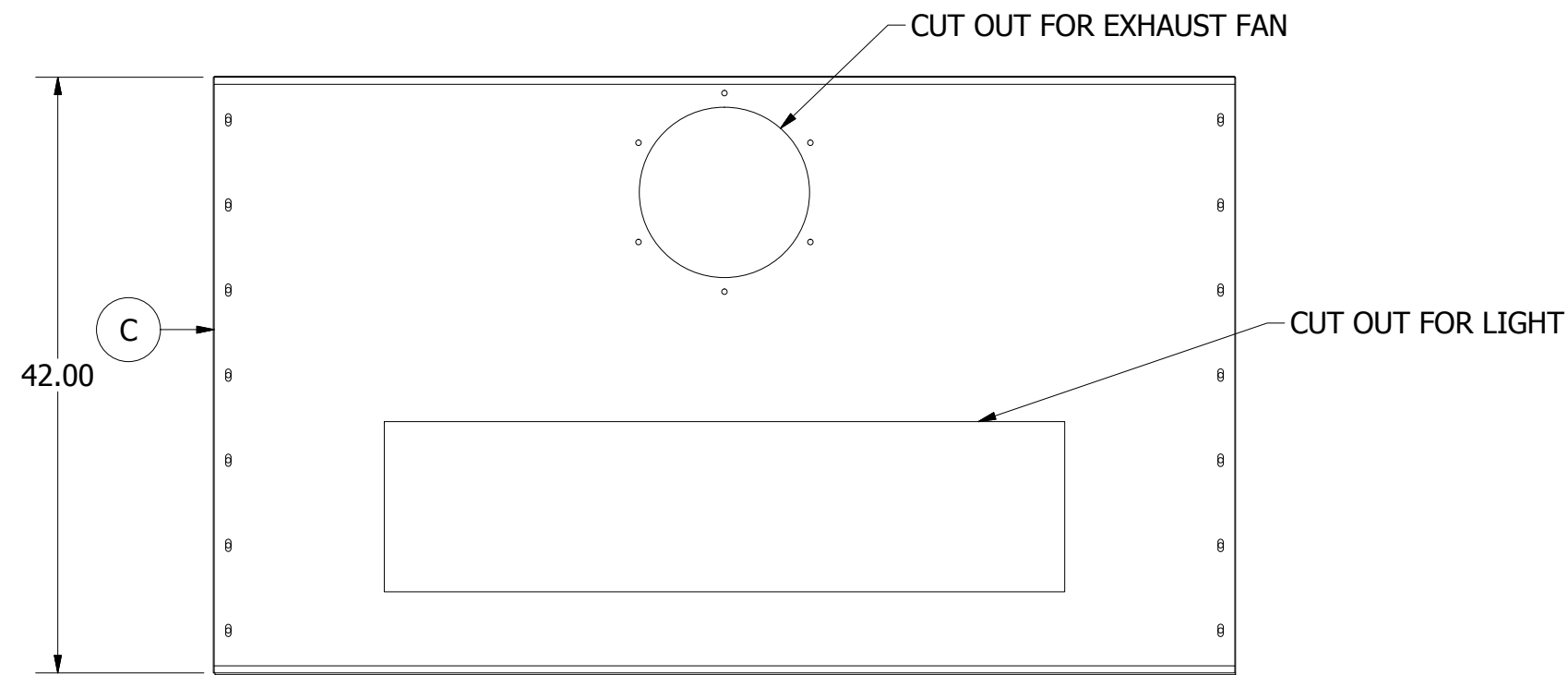


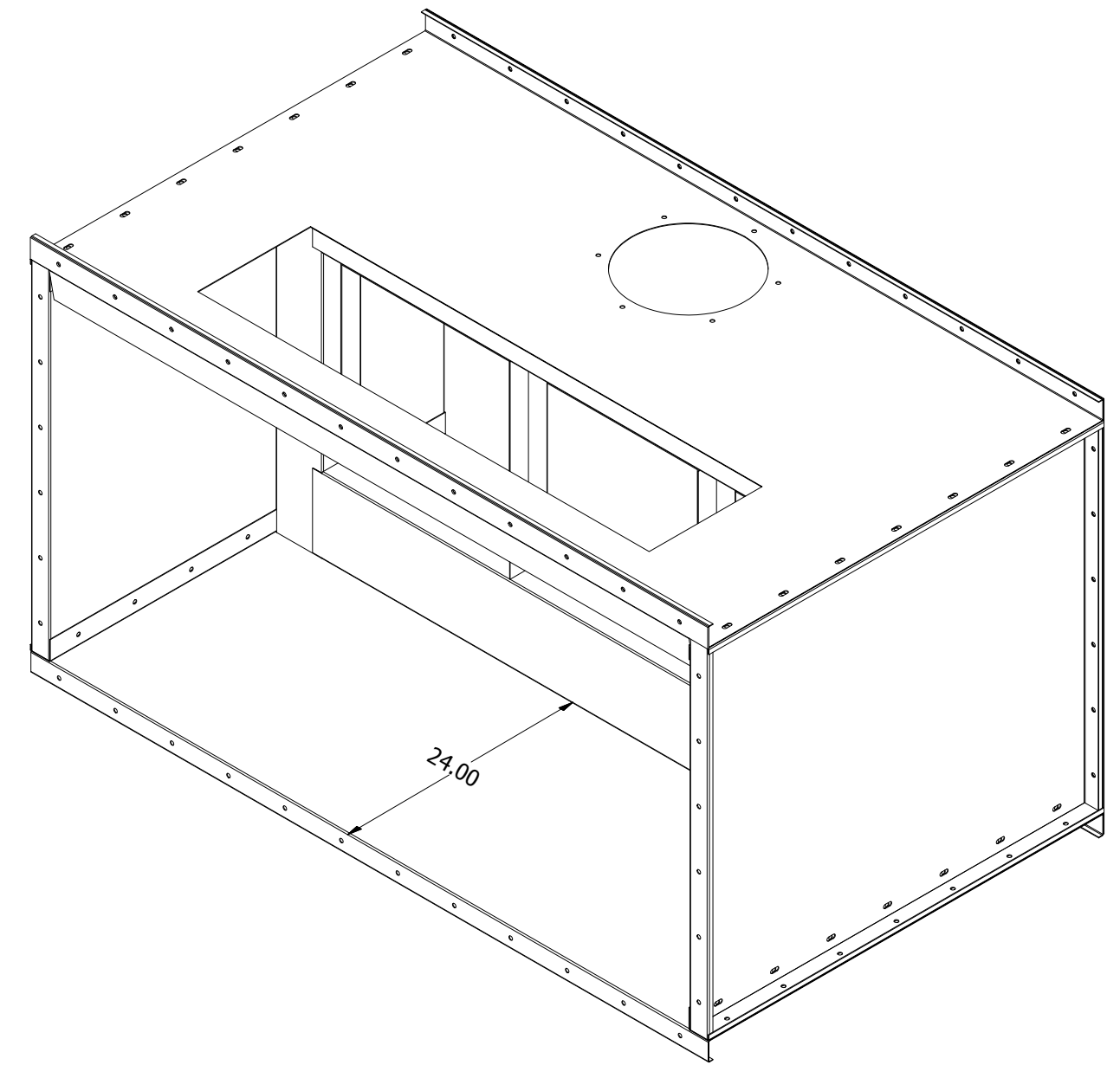
PARTS LIST		
ITEM	QTY	PART NUMBER
A	4	42 TRIM
B	2	42 X 36
C	1	42 X 72 WITH LIGHT
D	1	42 X 72
E	2	VERTICAL PLENUM
F	1	40 X 72
G	2	HORIZONTAL PLENUM
H	2	19.75 DIVIDER
9	1	FIRE GAURD

LIGHT NOT SHOWN

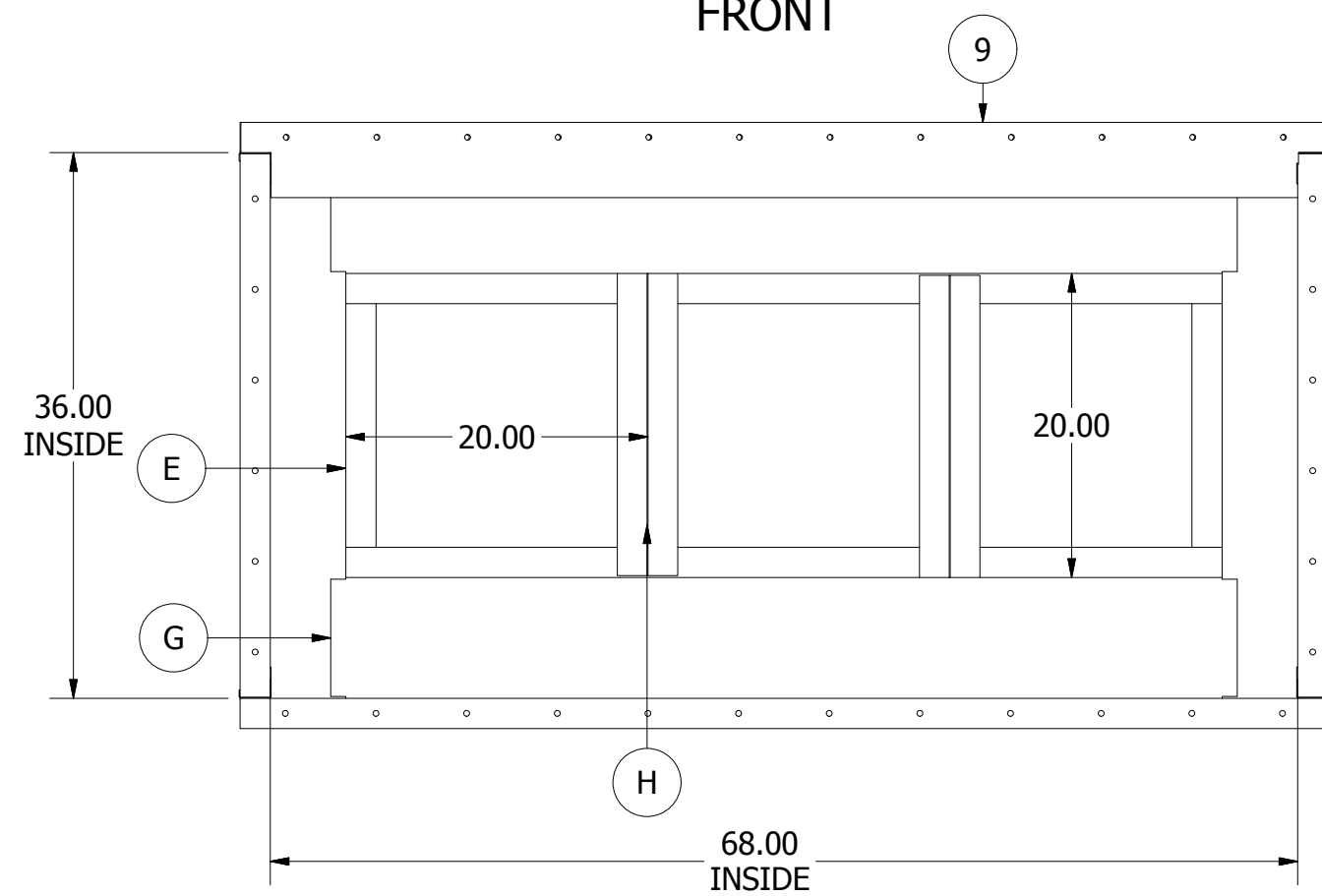
TOP



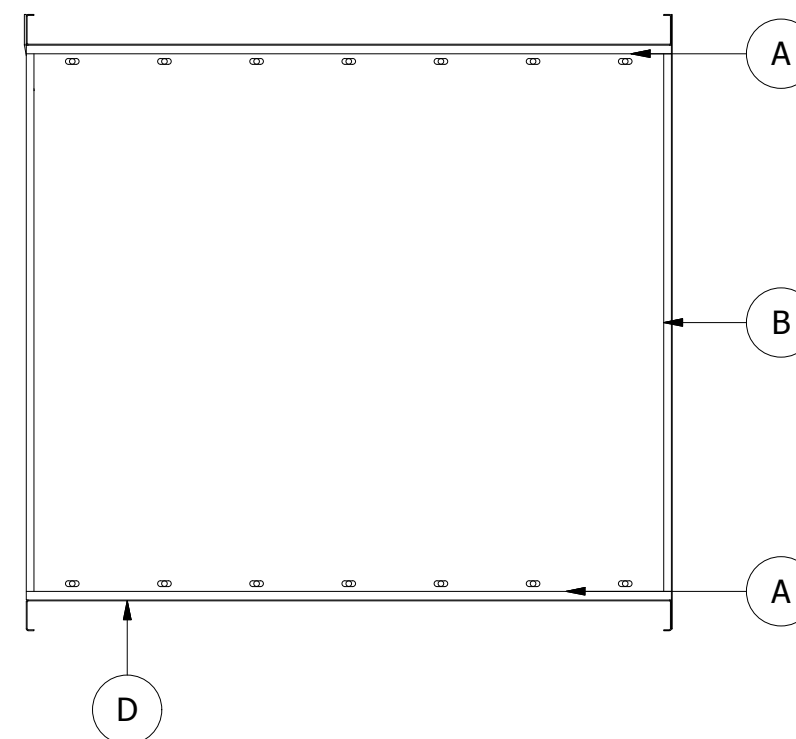
12" TUBE AXIAL FAN WITH TEFC MOTOR



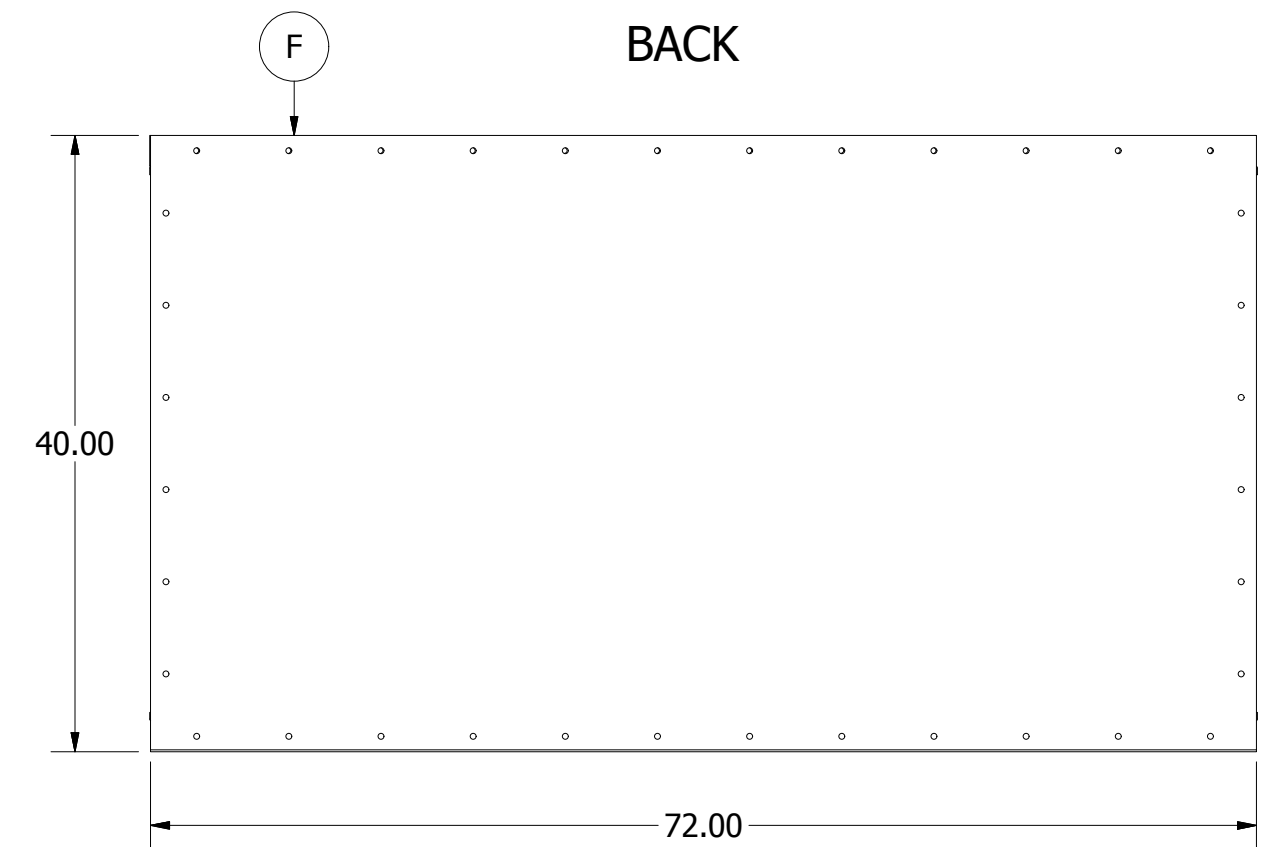
FRONT



RIGHT



BACK



PLENUM COSISTS OF:
 2 - HORIZONTAL PLENUM PANELS
 2 - VERTICAL PLENUM PANELS
 2 - 19.75 "T" DIVIDER

FASTEN PLENUM PANELS TO SIDE WALLS USING SELF DRILLING SCREWS. FRONT OF PLENUM IS 18.00" FROM REAR WALL. SPACE "T" DIVIDER 20" ON CENTER AS SHOWN.

DRAWN Tyler Cook	3/14/2013	JC METAL FABRICATION		
CHECKED		TITLE		
QA		6' TABLE TOP BOOTH WITH LIGHT		
MFG		SIZE C	DWG NO TABLE TOP	REV A
APPROVED		SCALE .08	SHEET 1 OF 1	