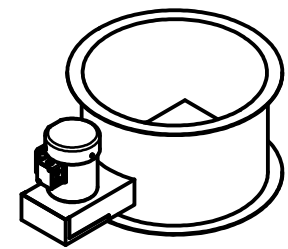
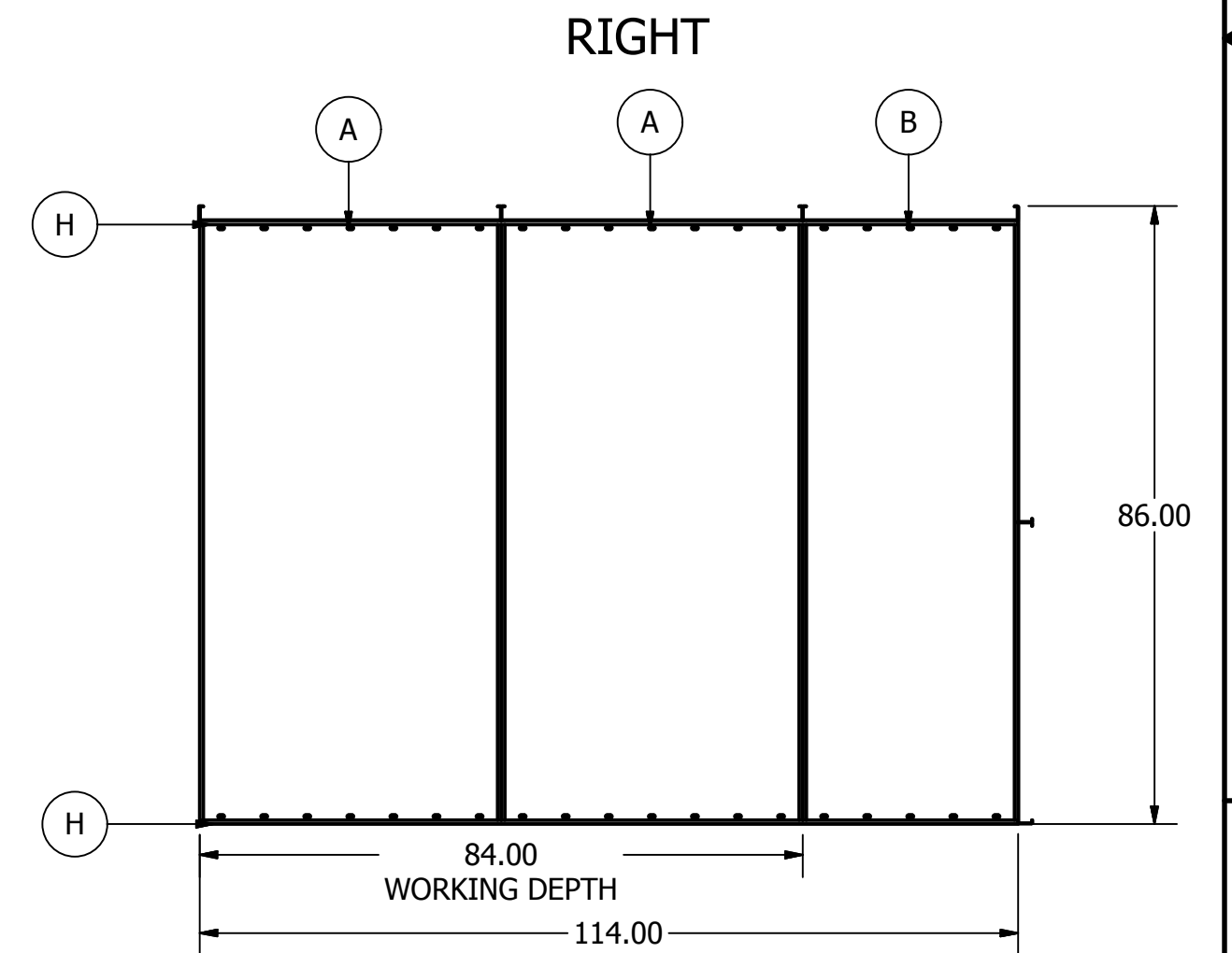
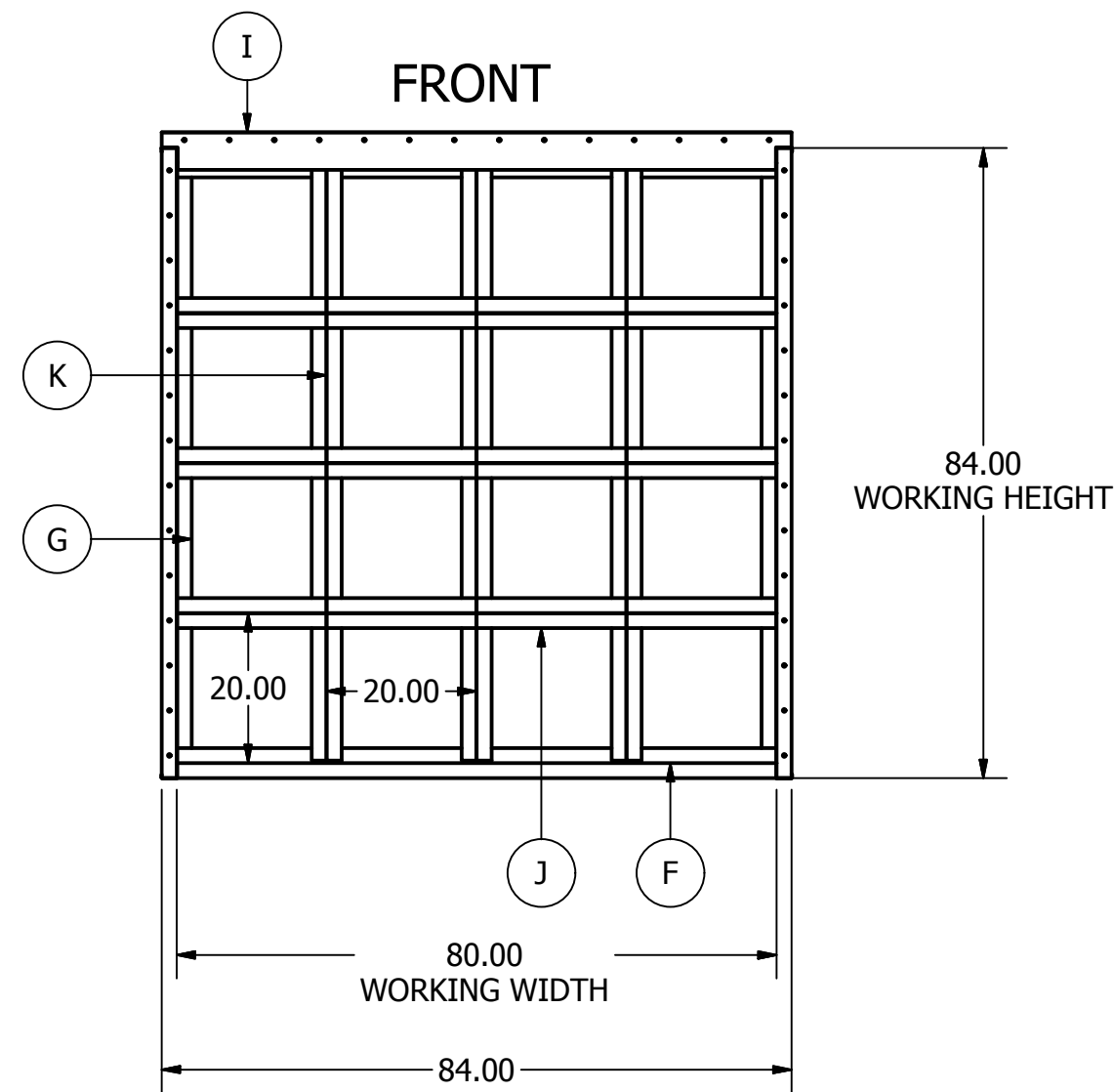
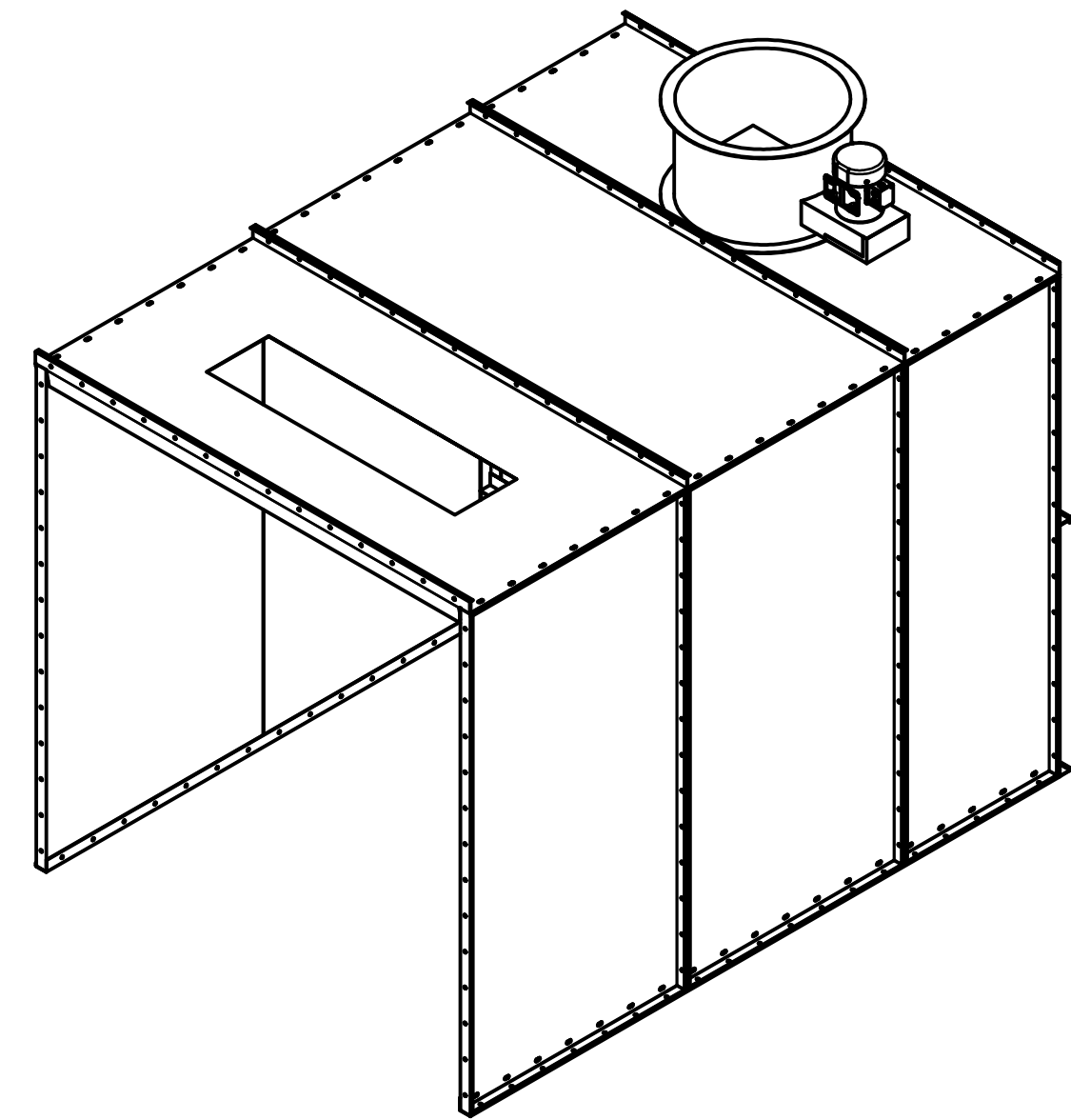
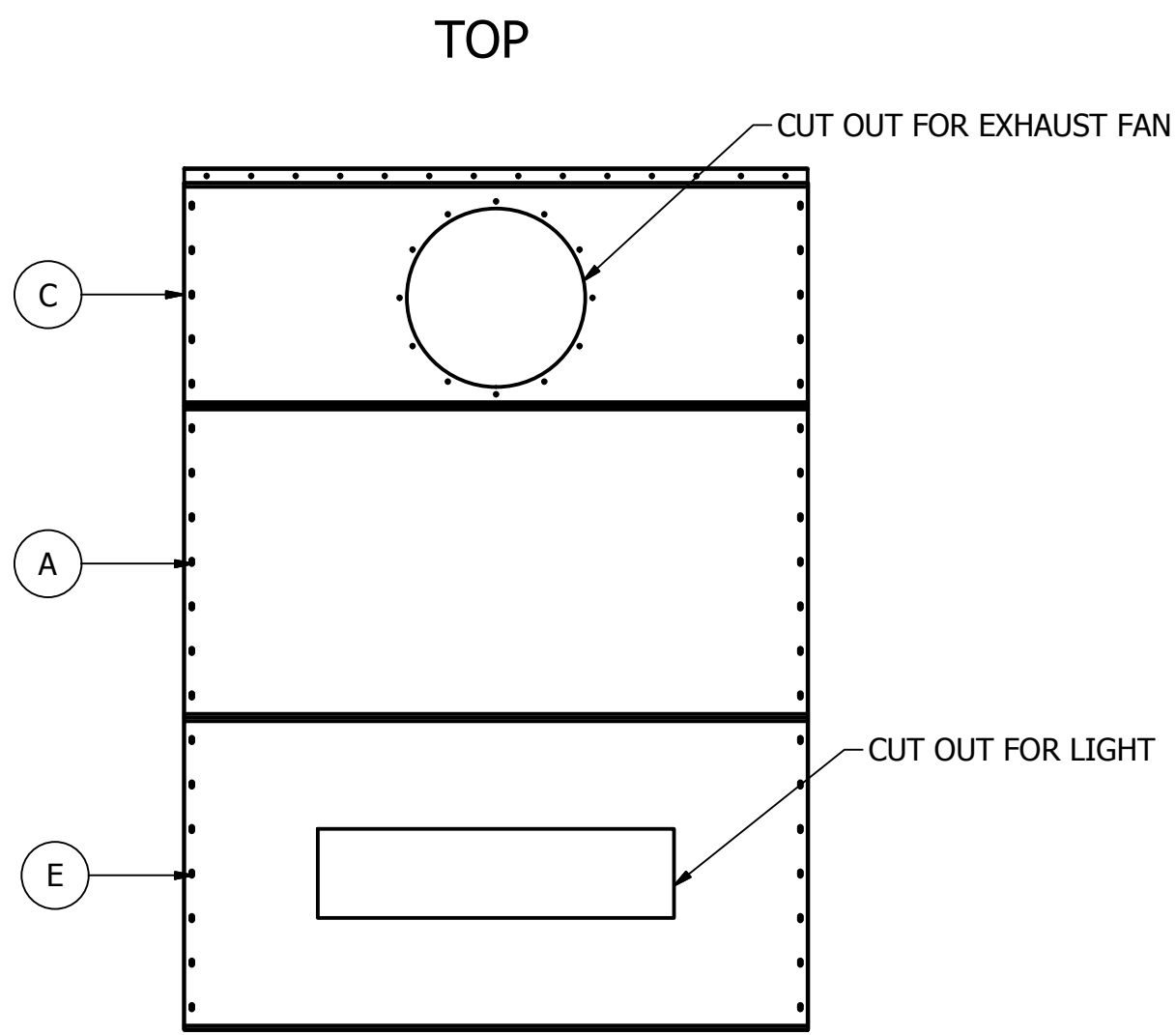


PARTS LIST		
ITEM	QTY	PART NUMBER
A	6	42 X 84
B	2	30 X 84
C	1	30 X 84 FAN
D	1	44 X 84
E	1	42 X 84 LIGHT
F	2	HORIZONTAL PLENUM
G	2	VERTICAL PLENUM
H	4	114 TRIM
I	1	FIRE GAURD
J	12	19.75 DIVIDER
K	3	79.75 DIVIDER
L	1	FAN ASSEMBLY



24" TUBE AXIAL FAN WITH TEFC MOTOR



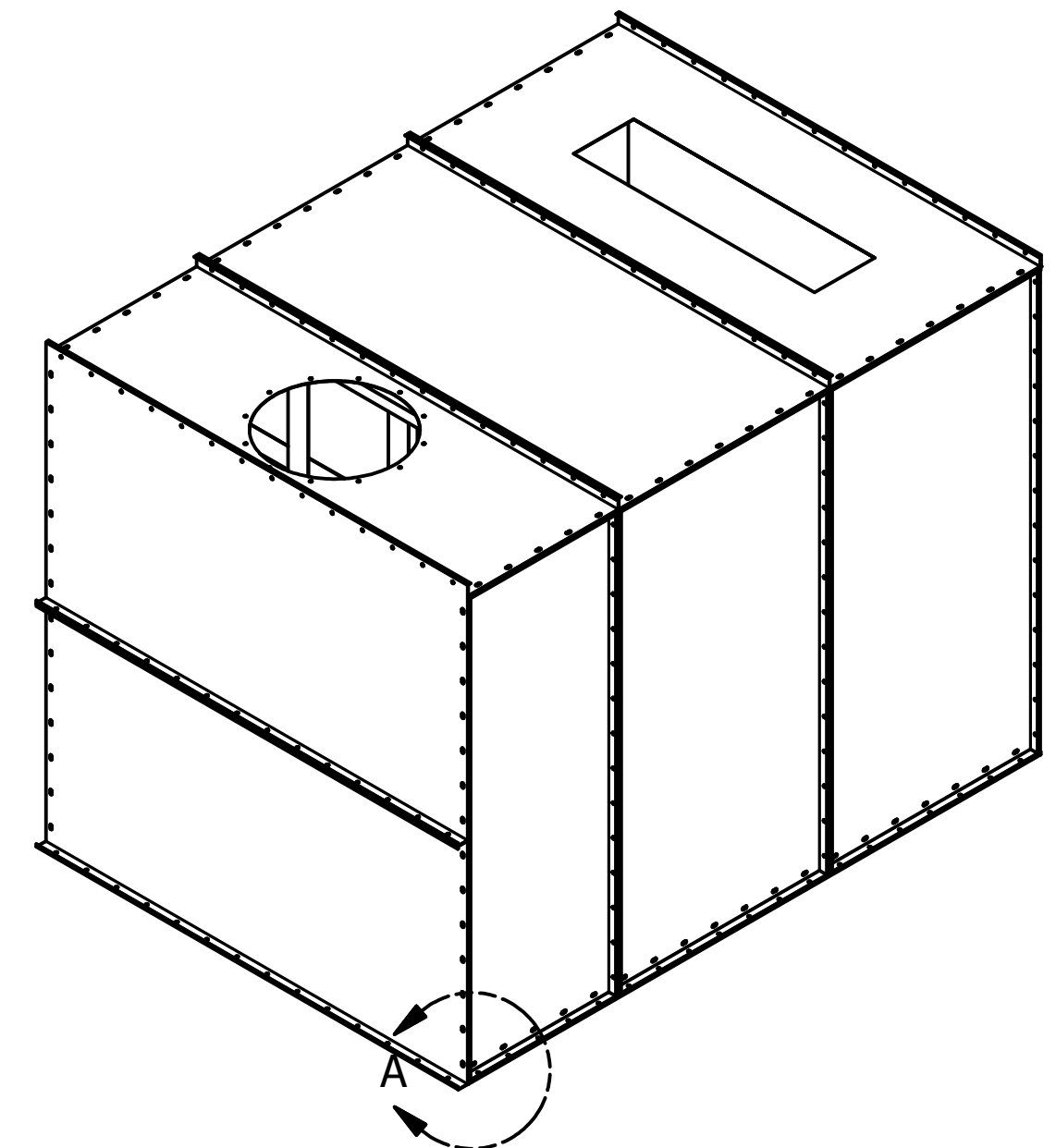
PLENUM COSIST OF:
 2 - VERTICAL PLENUM PANELS
 2 - HORIZONTAL PLENUM PANELS
 3 - 79.75 "T" DIVIDERS
 12 - 19.75 "T" DIVIDERS

FIRST FASTEN PLENUM PANELS TO SIDE WALLS USING SELF DRILLING SCREWS. FASTEN DIVIDERS TO PLENUM PANELS SPACING 20.00 APART ON CENTER AS SHOWN.

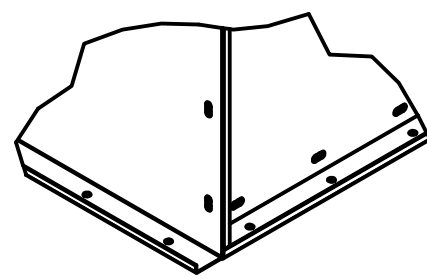
ALL PANELS ARE CONSTRUCTED FROM 16GA G90 GALVANIZED STEEL

DRAWN Tyler Cook	6/25/2013	JC METAL FABRICATION		
CHECKED		TITLE JCOFP777		
QA		SIZE C	DWG NO JCOF777	REV A
MFG		SCALE .04	SHEET 1 OF 2	
APPROVED				

PARTS LIST		
ITEM	QTY	PART NUMBER
A	6	42 X 84
B	2	30 X 84
C	1	30 X 84 FAN
D	1	44 X 84
E	1	42 X 84 LIGHT
F	2	HORIZONTAL PLENUM
G	2	VERTICAL PLENUM
H	4	114 TRIM
I	1	FIRE GAURD
J	12	19.75 DIVIDER
K	3	79.75 DIVIDER
L	1	FAN ASSEMBLY

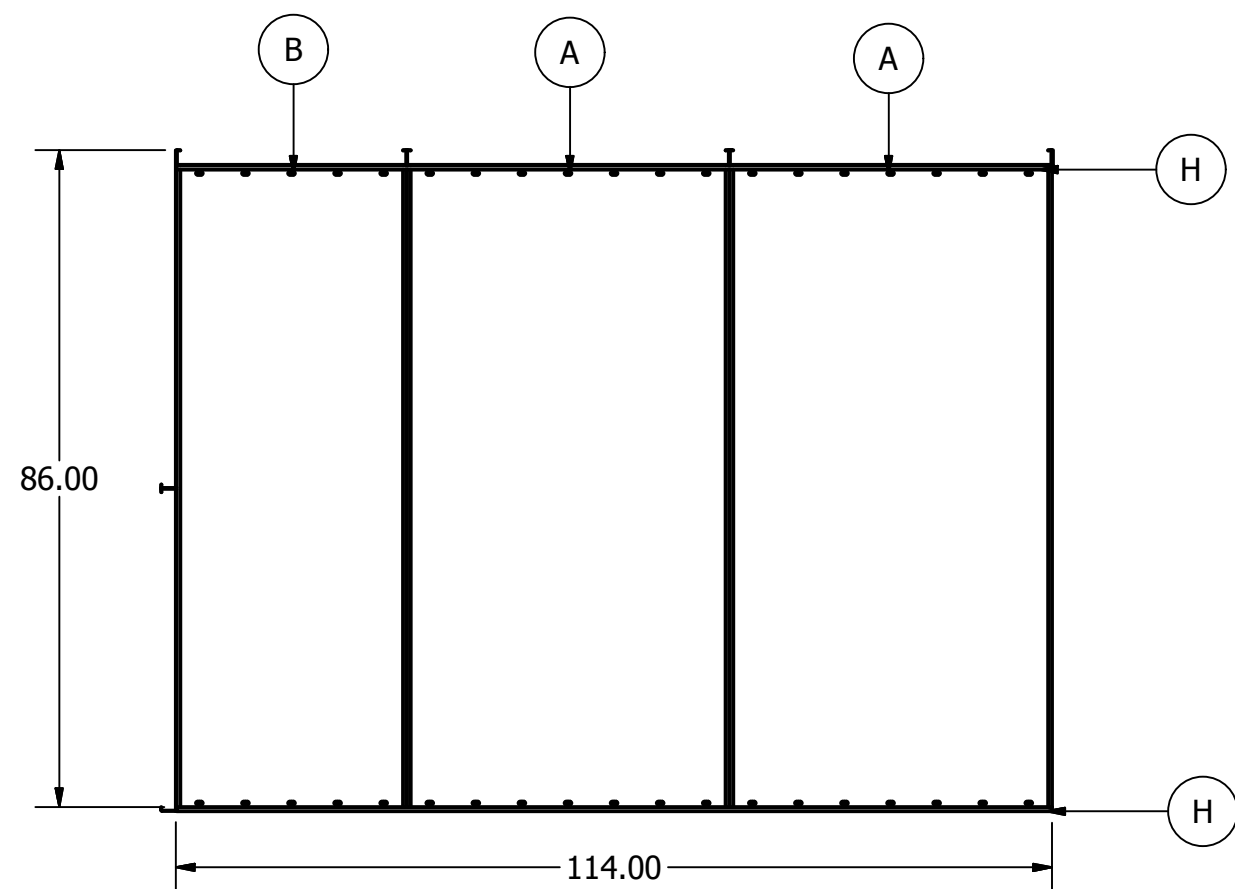


EXAMPLE OF REAR WALL PANELS INTERSECTION

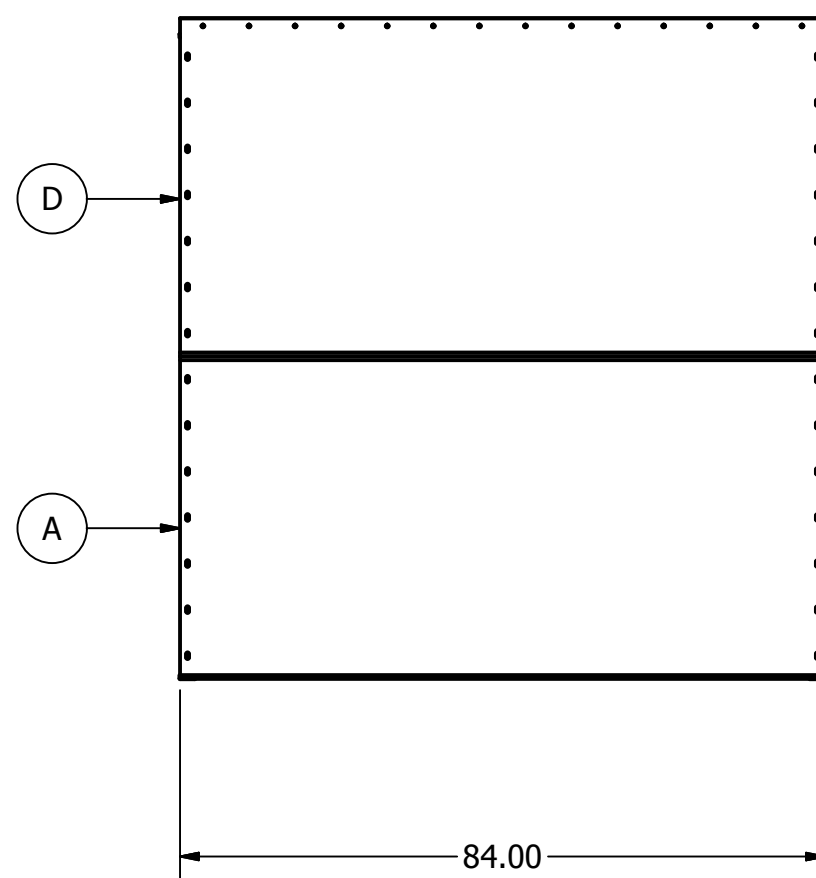


DETAIL A
SCALE .1

LEFT



BACK



PLENUM COSIST OF:
 2 - VERTICAL PLENUM PANELS
 2 - HORIZONTAL PLENUM PANELS
 3 - 79.75 "T" DIVIDERS
 12 - 19.75 "T" DIVIDERS

FIRST FASTEN PLENUM PANELS TO SIDE WALLS USING SELF DRILLING SCREWS. FASTEN DIVIDERS TO PLENUM PANELS SPACING 20.00 APART ON CENTER AS SHOWN.

ALL PANELS ARE CONSTRUCTED FROM 16GA G90 GALVANIZED STEEL

DRAWN Tyler Cook	6/25/2013	JC METAL FABRICATION		
CHECKED		TITLE JCOFP777		
QA		SIZE C	DWG NO JCOF777	REV A
MFG		SCALE .04	SHEET 2 OF 2	
APPROVED				