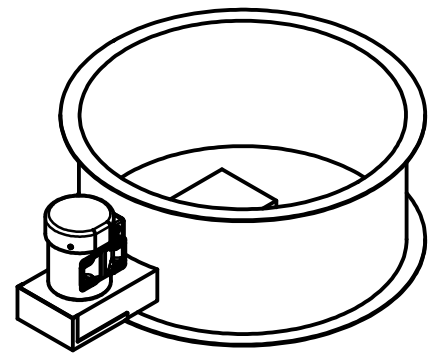
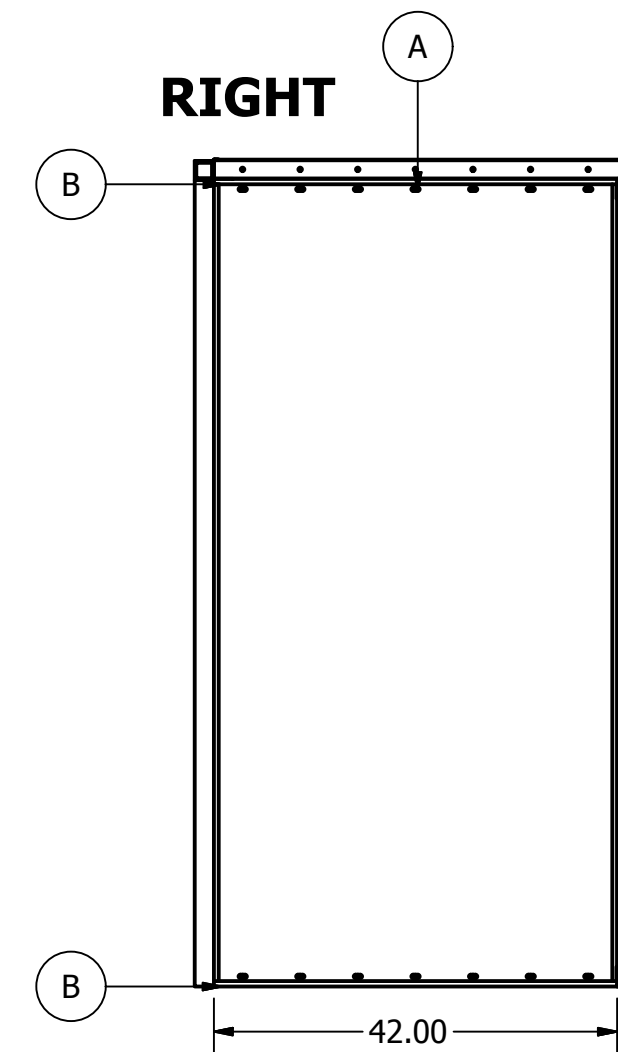
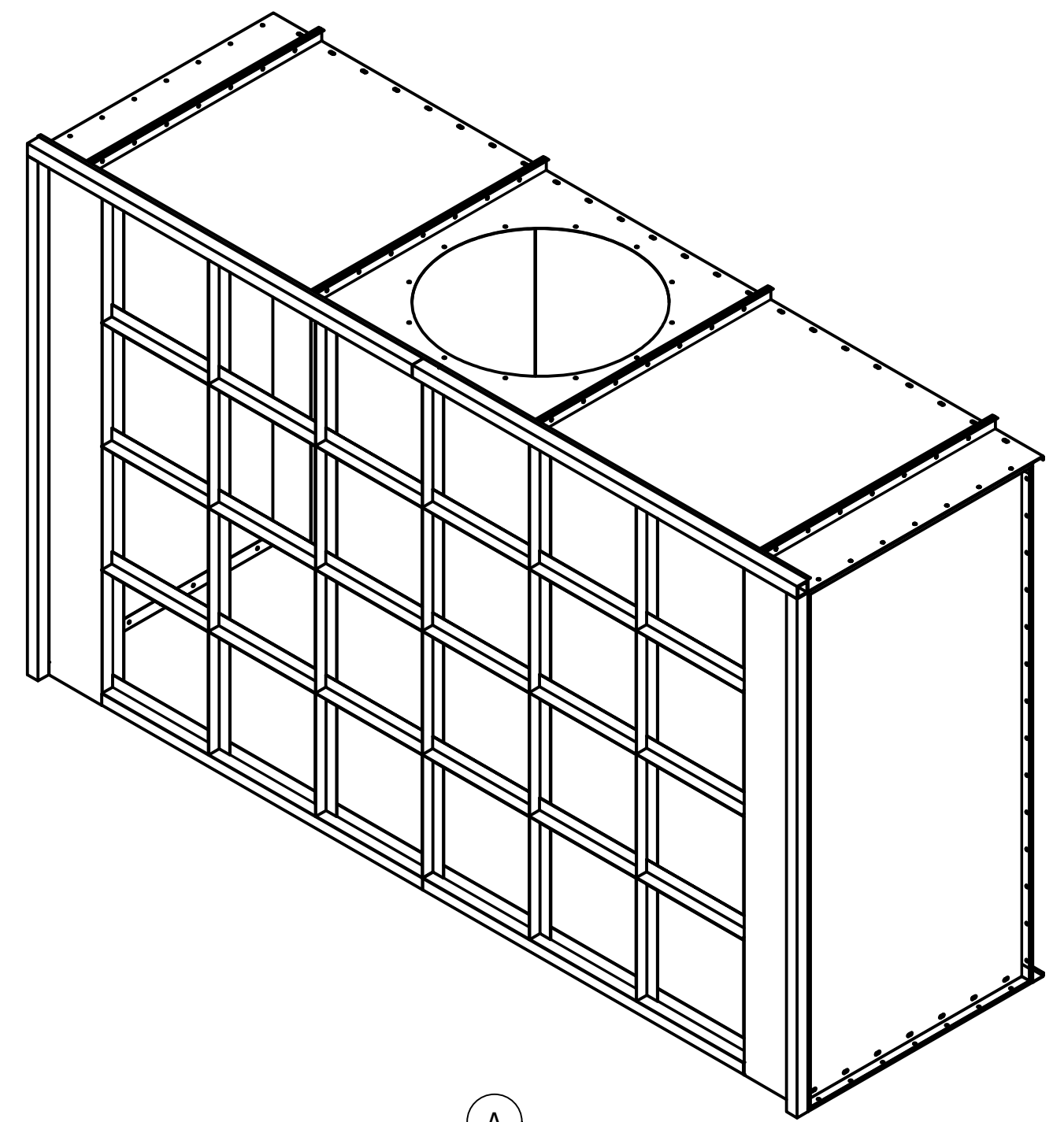
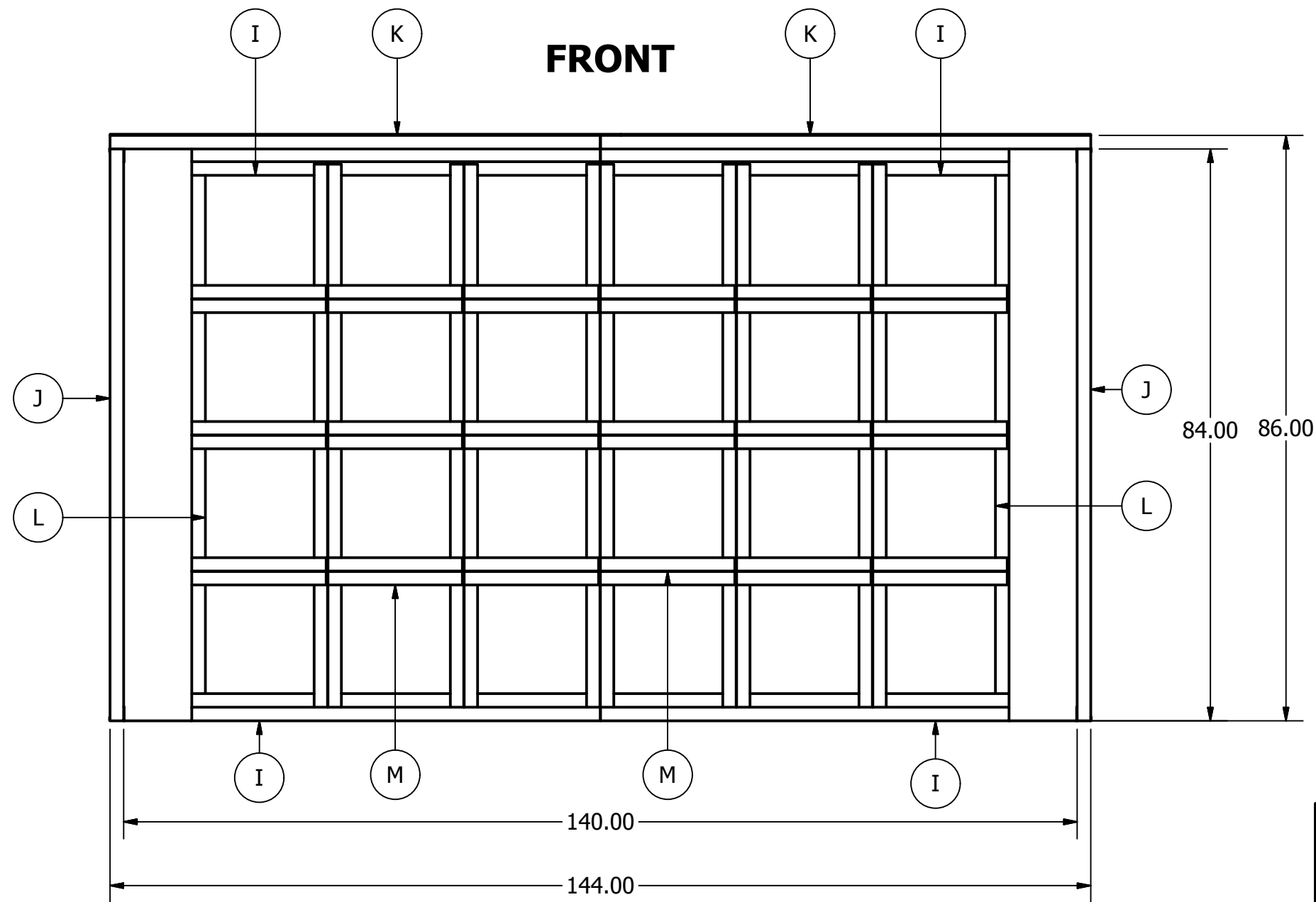
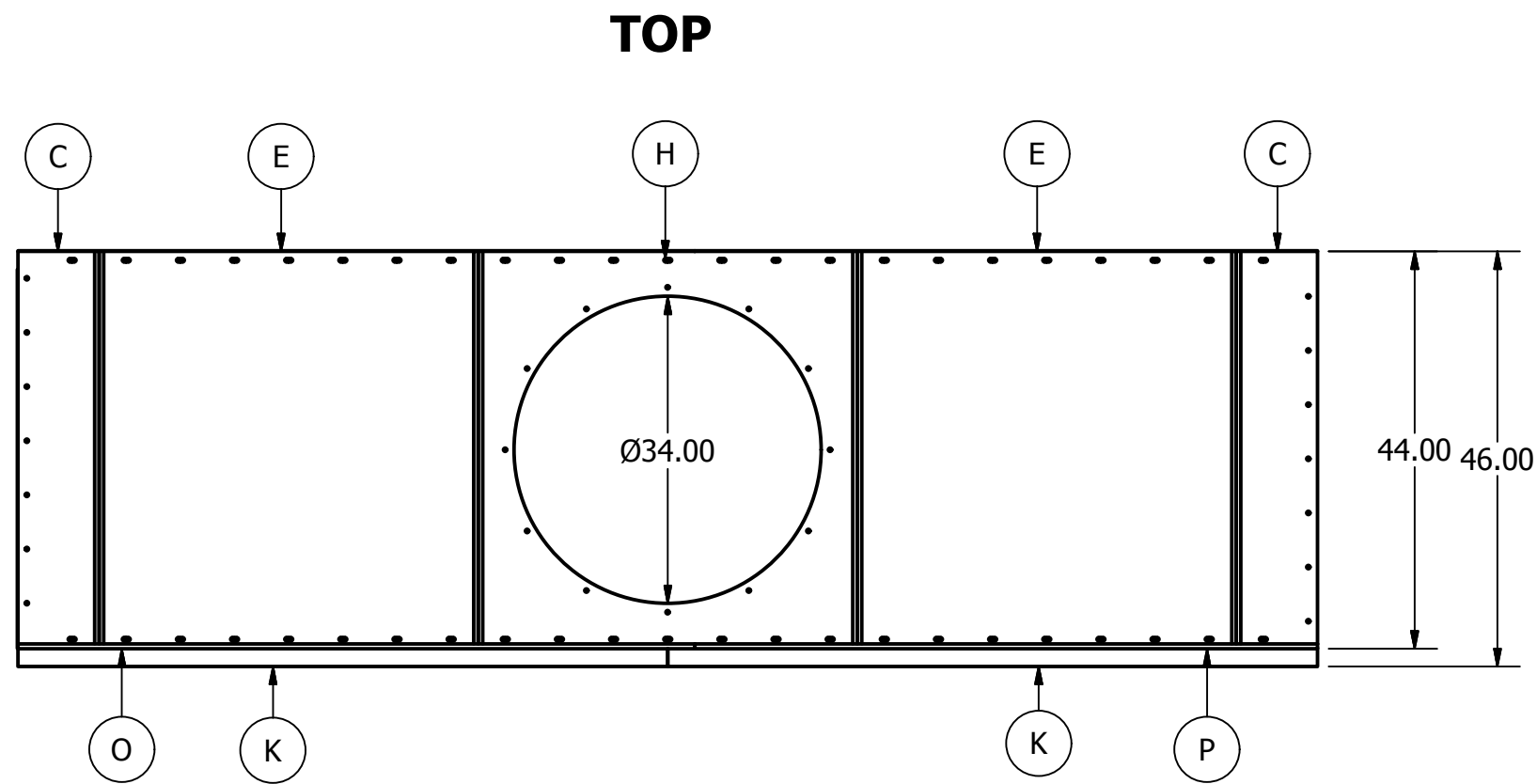


PARTS LIST		
ITEM	QTY	PART NUMBER
A	5	42 X 84
B	4	42 TRIM
C	2	9 X 44
D	2	9 X 84
E	2	42 X 44
H	1	42 X 44 WITH EXHAUST
I	4	HORIZONTAL PLENUM
J	2	2 X 2 X 84 FRAME
K	2	2 X 2 X 72 FRAME
L	2	VERTICAL PLENUM
M	18	19.75 DIVIDER
N	5	79.75 DIVIDER
O	3	75 TRIM
P	3	69 TRIM



34" TUBE AXIAL FAN WITH TEFC MOTOR



**PLENUM CONSISTS OF:**

- 2 - VERTICAL PLENUM PANELS
- 4- HORIZONTAL PLENUM PANELS
- 5- 79.75 "T" DIVIDERS
- 18- 19.75 "T" DIVIDERS

FASTEN PLENUM PANELS TO SIDE WALLS USING SELF DRILLING SCREWS. DIVIDERS ARE THEN FASTENED TO PLENUM PANELS SPACING 20.00 APART ON CENTER.

DRAWN JC METAL	4/30/2014	JC METAL FABRICATION	
CHECKED		TITLE <b>JCEW127</b>	
QA		SIZE C	DWG NO JCEW127
MFG		SCALE 1/20	REV A
APPROVED		SHEET 1 OF 2	

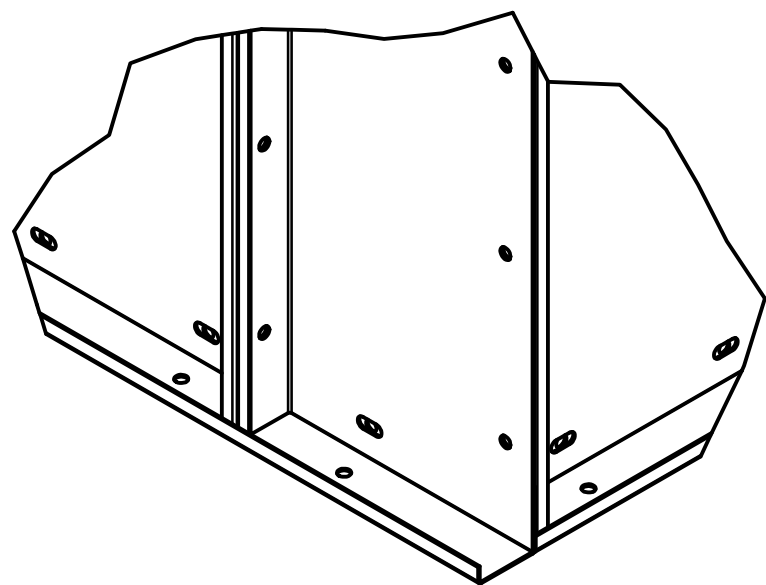
4

3

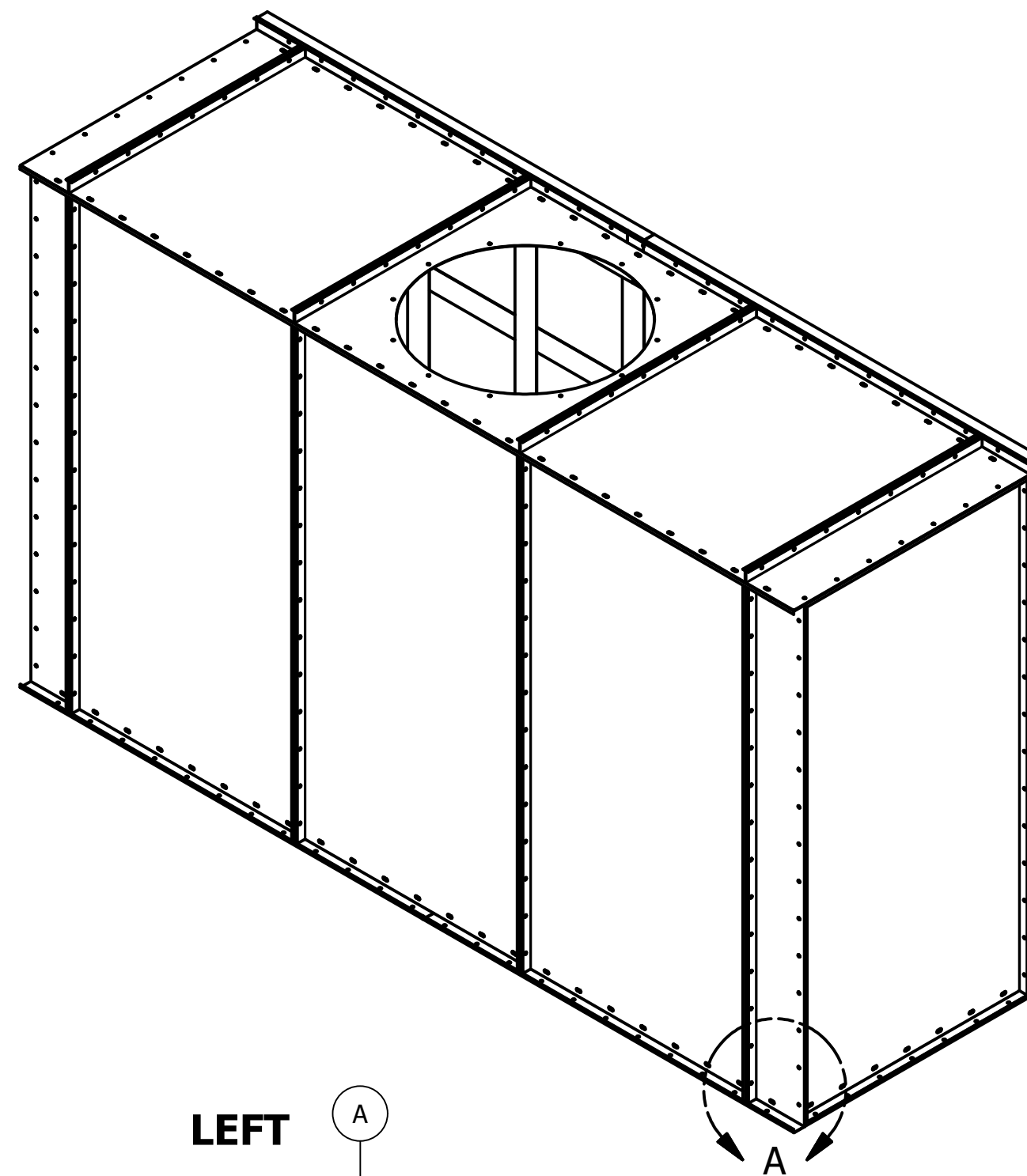
2

1

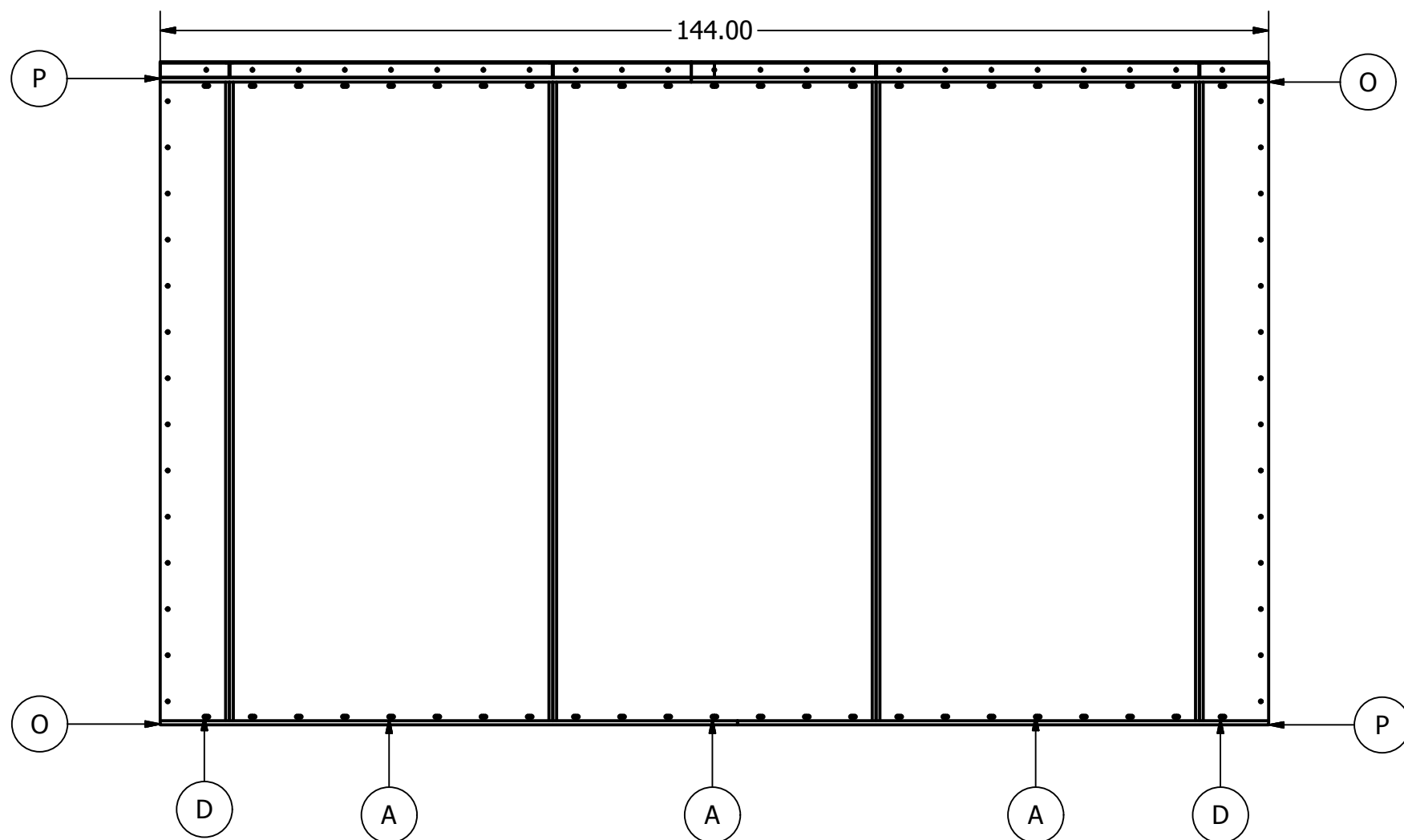
EXAMPLE OF REAR CORNER INTERSECTION



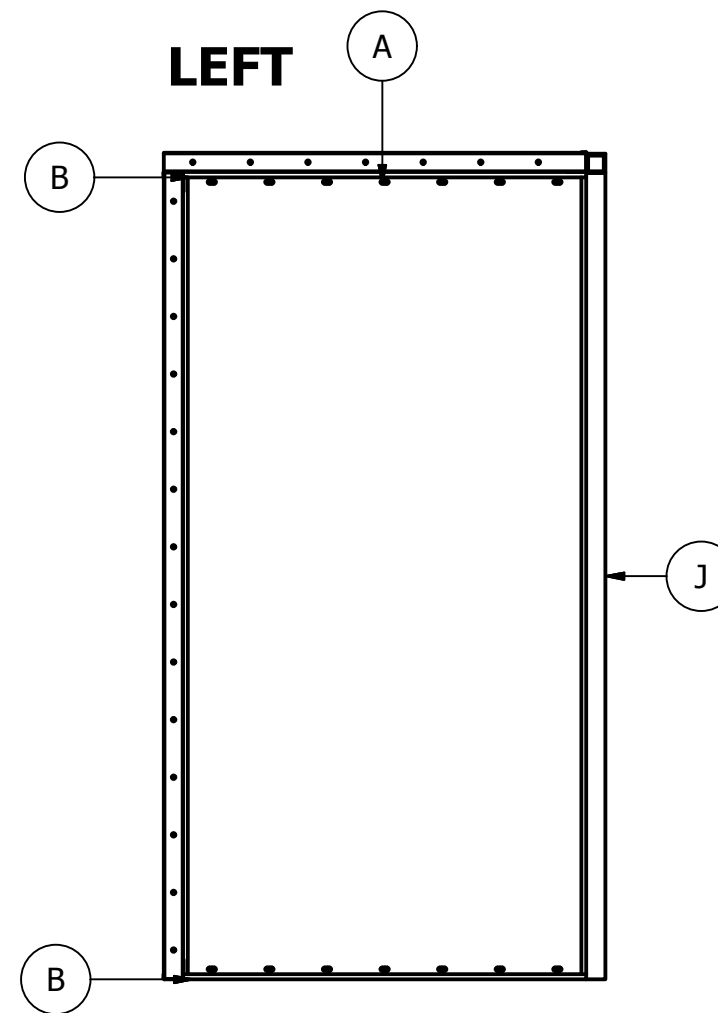
DETAIL A  
SCALE .2



**BACK**



**LEFT**



DRAWN JC METAL	4/30/2014	JC METAL FABRICATION		
CHECKED		TITLE <b>JCEW127</b>		
QA		SIZE <b>C</b>	DWG NO <b>JCEW127</b>	REV A
MFG		SCALE 1/20		SHEET 2 OF 2
APPROVED				

4

3

2

1