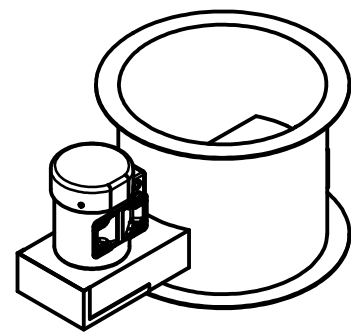
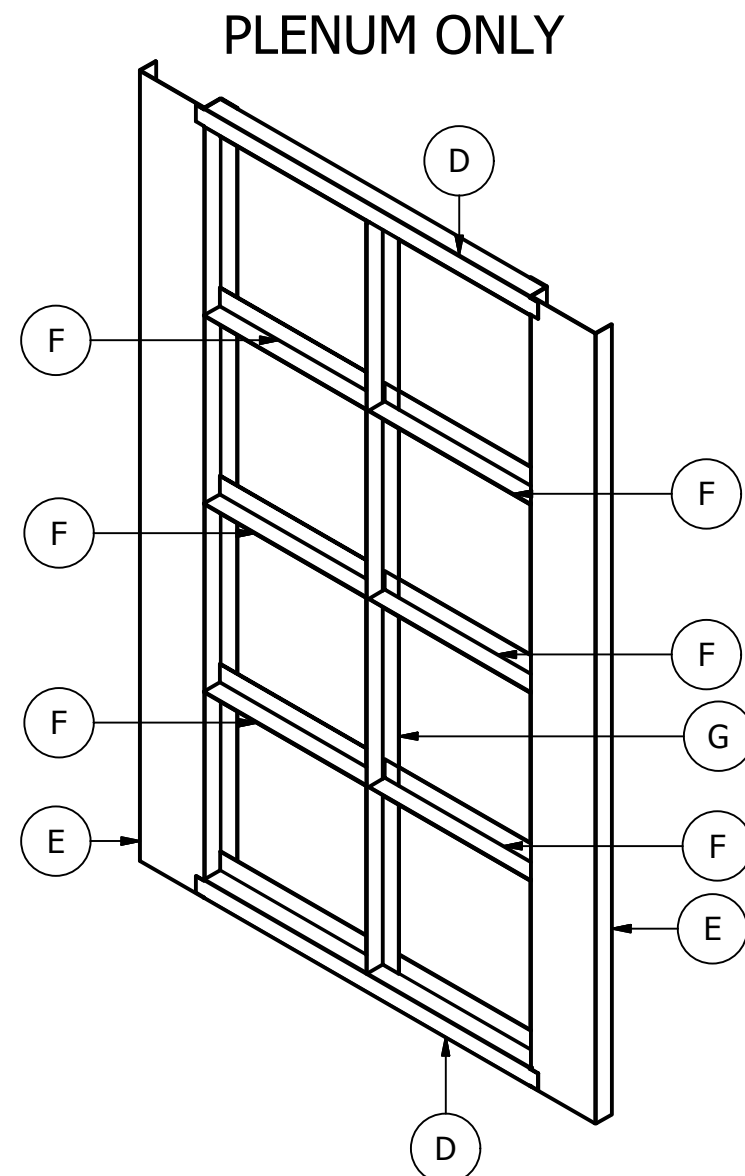


PARTS LIST		
ITEM	QTY	PART NUMBER
A	2	42 X 60
B	1	44 X 60
C	4	66 TRIM
D	2	HORIZONTAL PLENUM
E	2	VERTICAL PLENUM
F	6	19.75 DIVIDER
G	1	79.75 DIVIDER
H	1	24 X 60 FAN
I	1	60 FIRE GUARD
J	2	24 X 84
K	2	42 X 84
L	1	LEFT GAURD
M	1	FRONT GUARD
N	1	RIGHT GUARD

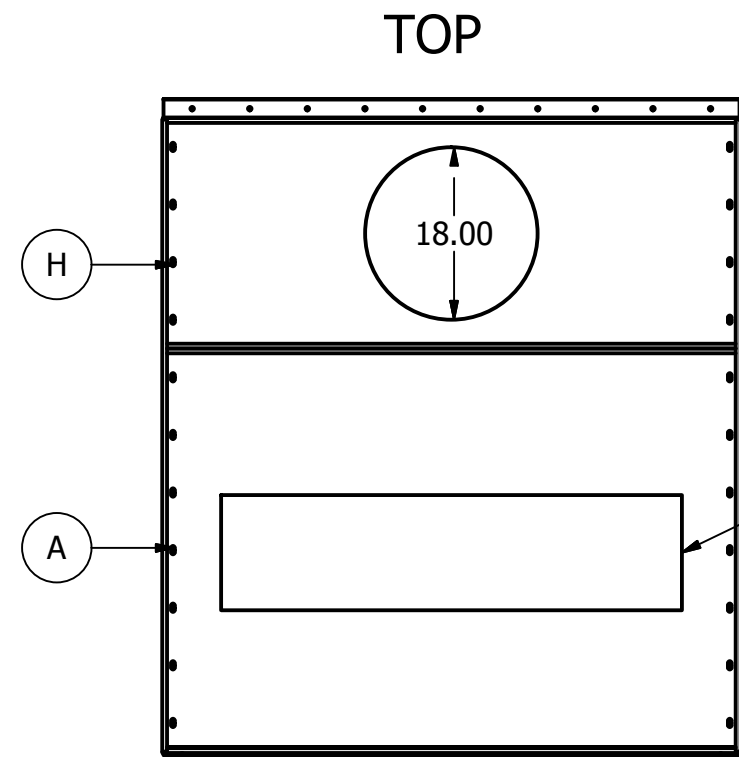


18" TUBE AXIAL FAN WITH TEFC MOTOR



PLENUM ONLY

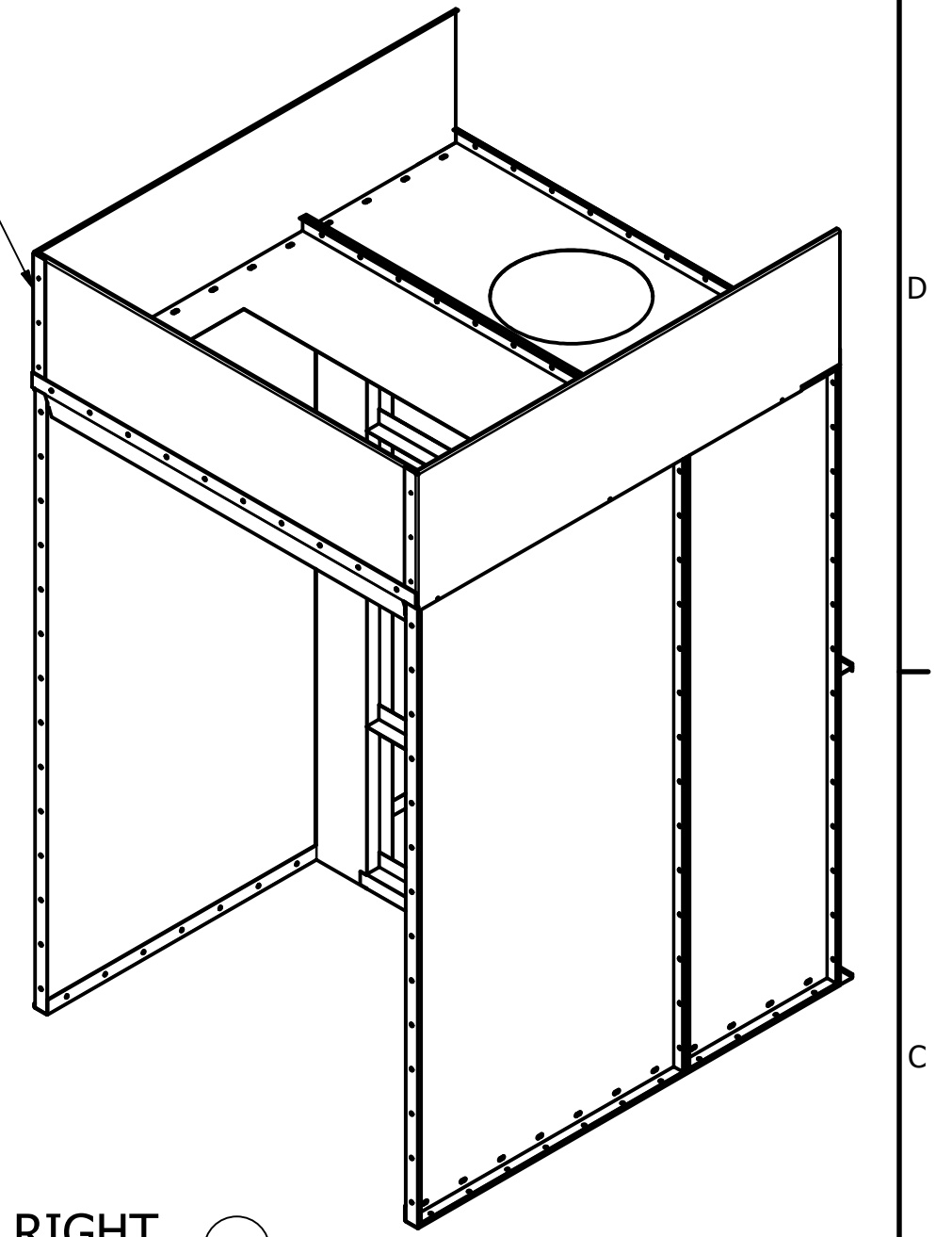
PLENUM INSTRUCTIONS:
 INSTALL VERTICAL AND HORIZONTAL PLENUM PANELS TO SIDE WALL USING SELF DRILLING SCREWS. INSTALL DIVIDERS TO PLENUM PANELS SPACING 20.00" APART ON CENTER. (SEE PLENUM ONLY VIEW)



TOP

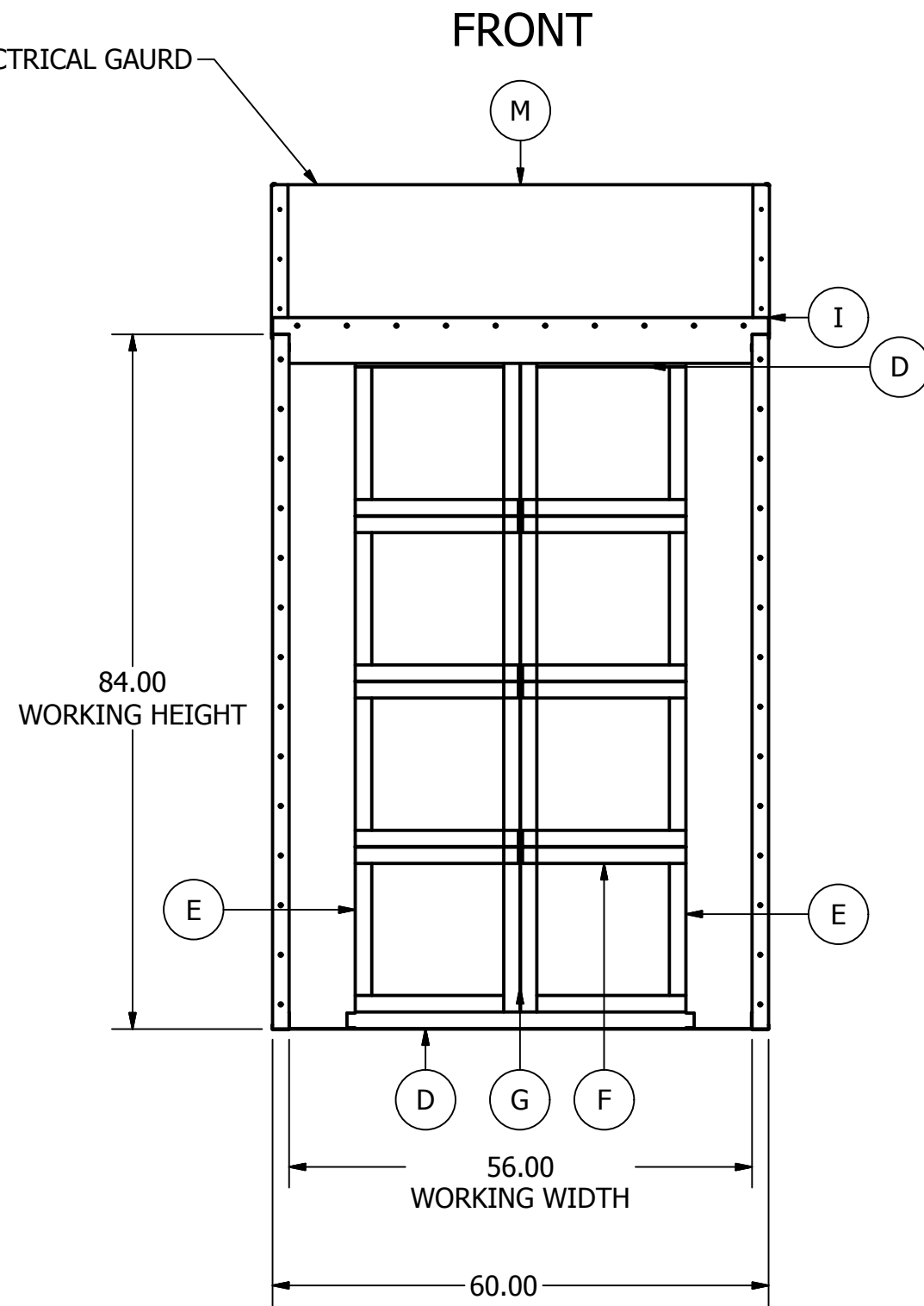
OPTIONAL ELECTRICAL GAURD IF LIGHT IS USED

OPTIONAL CUT OUT FOR LIGHT

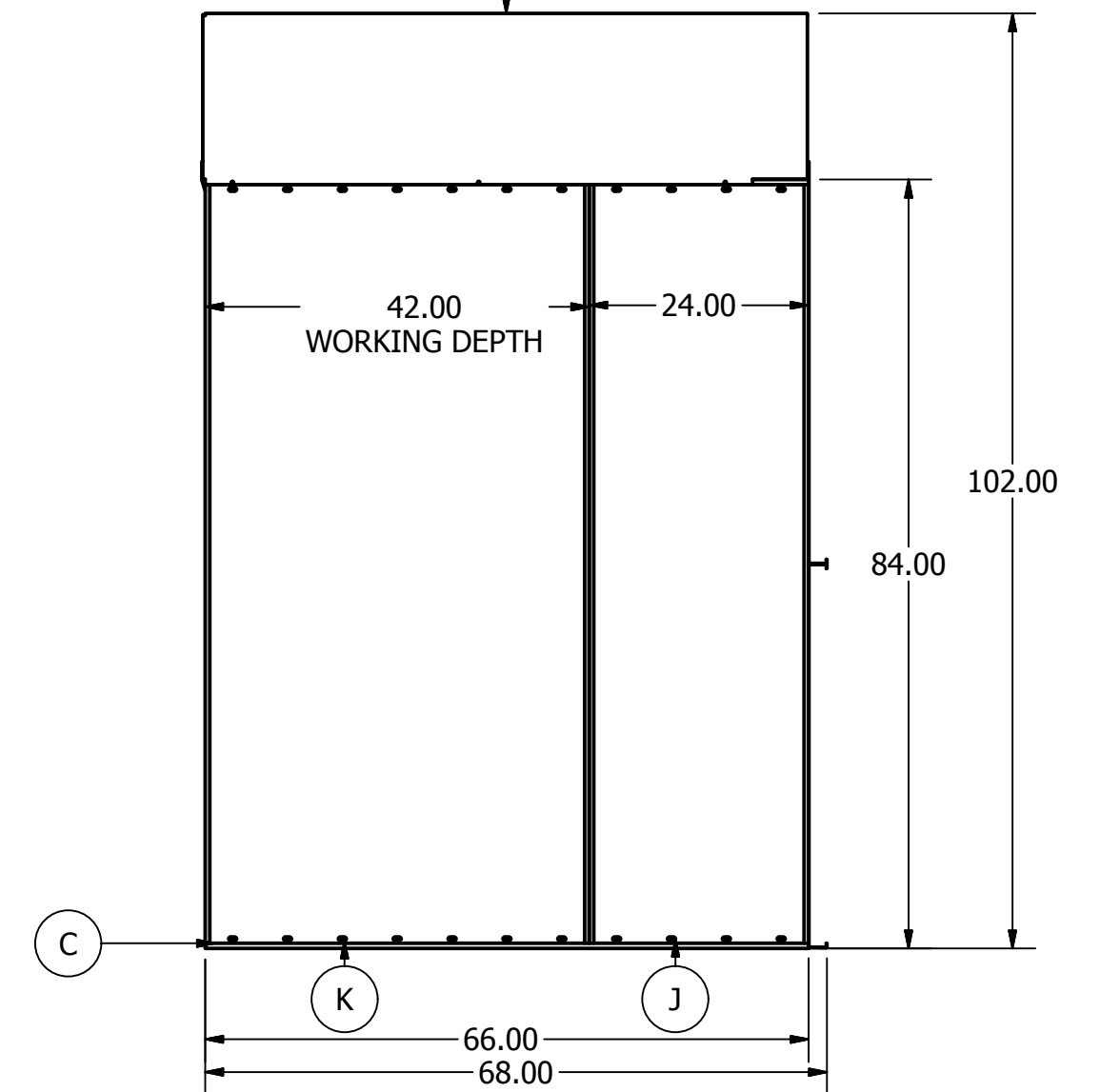


RIGHT

OPTIONAL ELECTRICAL GAURD



FRONT

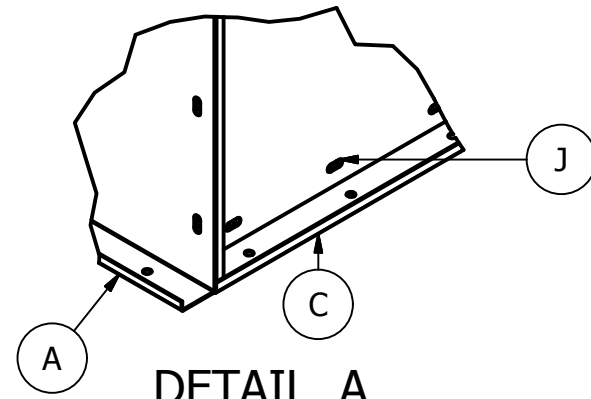


ALL PANELS CONSTRUCTED FROM 16GA G90 GALVANIZED STEEL

DRAWN Tyler Cook	4/23/2014	JC METAL FABRICATION	
CHECKED		TITLE JCOF573.5	
QA		SIZE C	REV A
MFG		DWG NO JCOF573.5	
APPROVED		SCALE .06	SHEET 1 OF 2

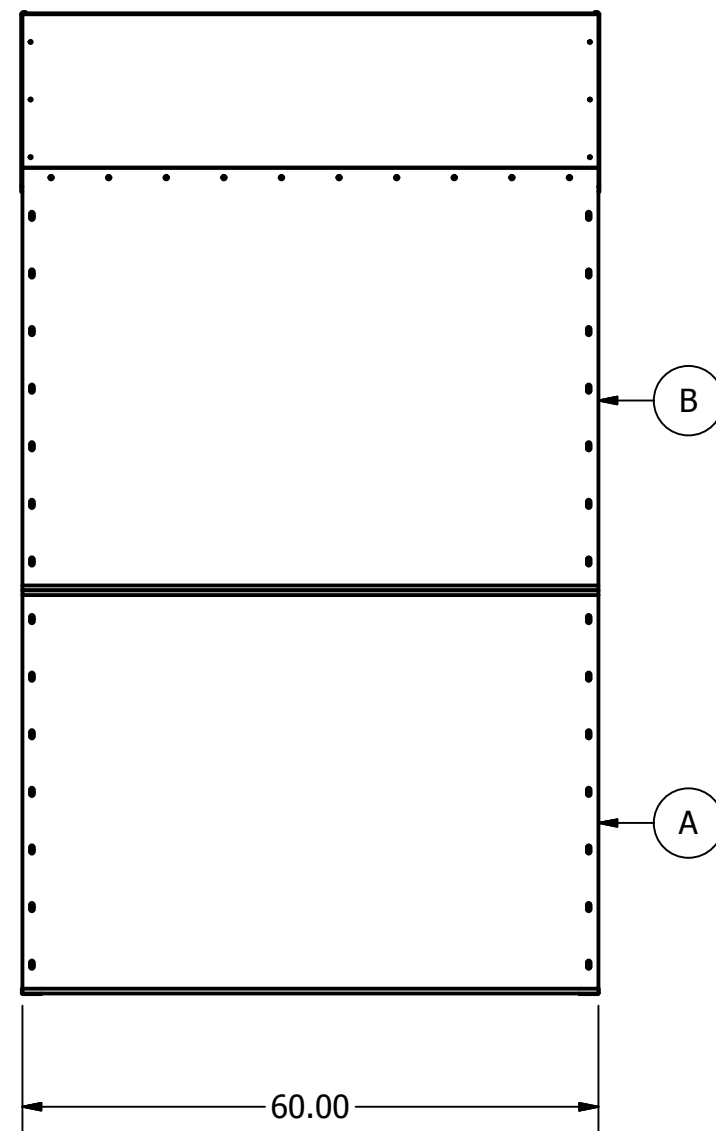
PARTS LIST		
ITEM	QTY	PART NUMBER
A	2	42 X 60
B	1	44 X 60
C	4	66 TRIM
D	2	HORIZONTAL PLENUM
E	2	VERTICAL PLENUM
F	6	19.75 DIVIDER
G	1	79.75 DIVIDER
H	1	24 X 60 FAN
I	1	60 FIRE GUARD
J	2	24 X 84
K	2	42 X 84
L	1	LEFT GAURD
M	1	FRONT GUARD
N	1	RIGHT GUARD

EXAMPLE OF REAR WALL PANEL INTERSECTION

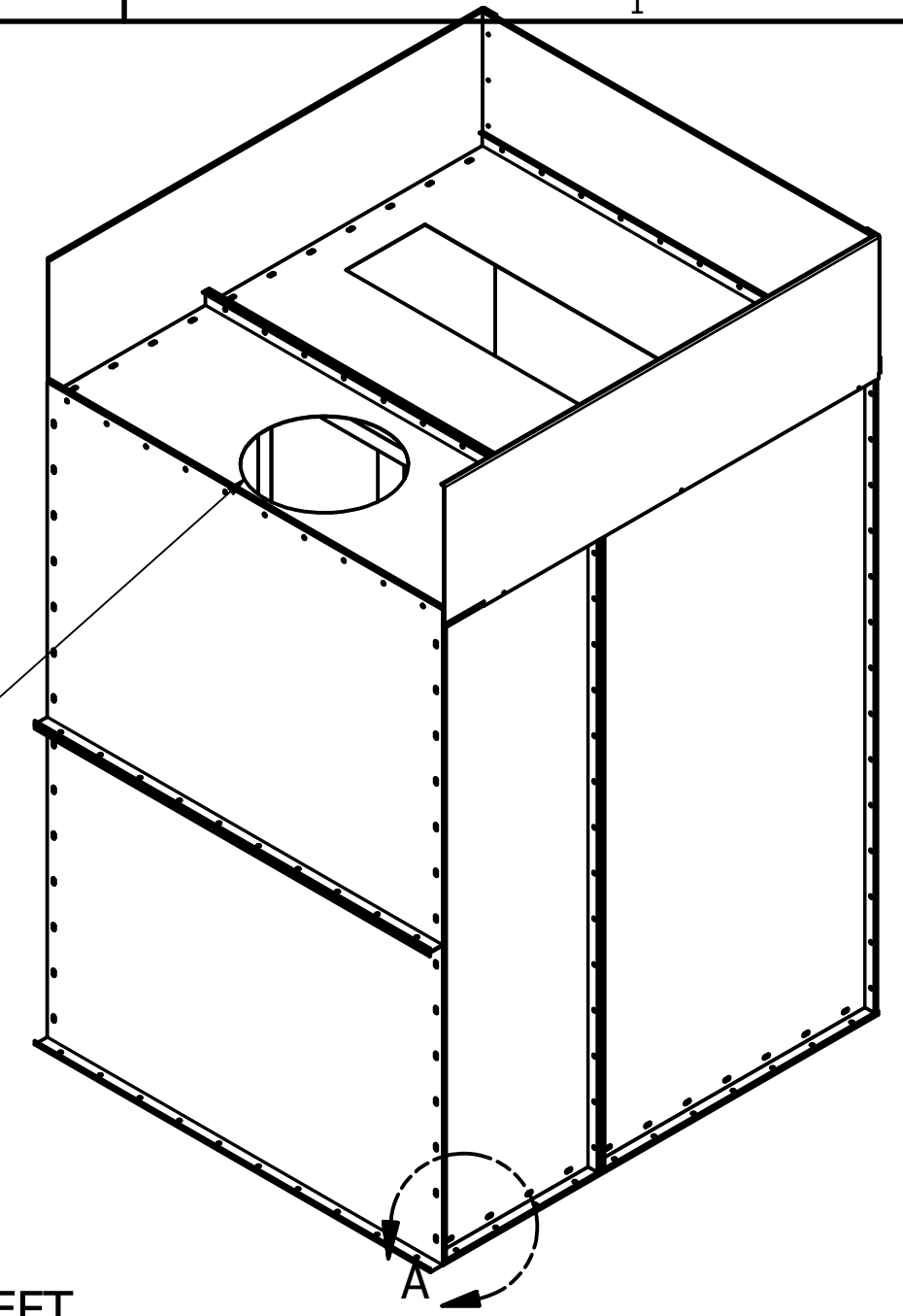


DETAIL A
SCALE 1/8

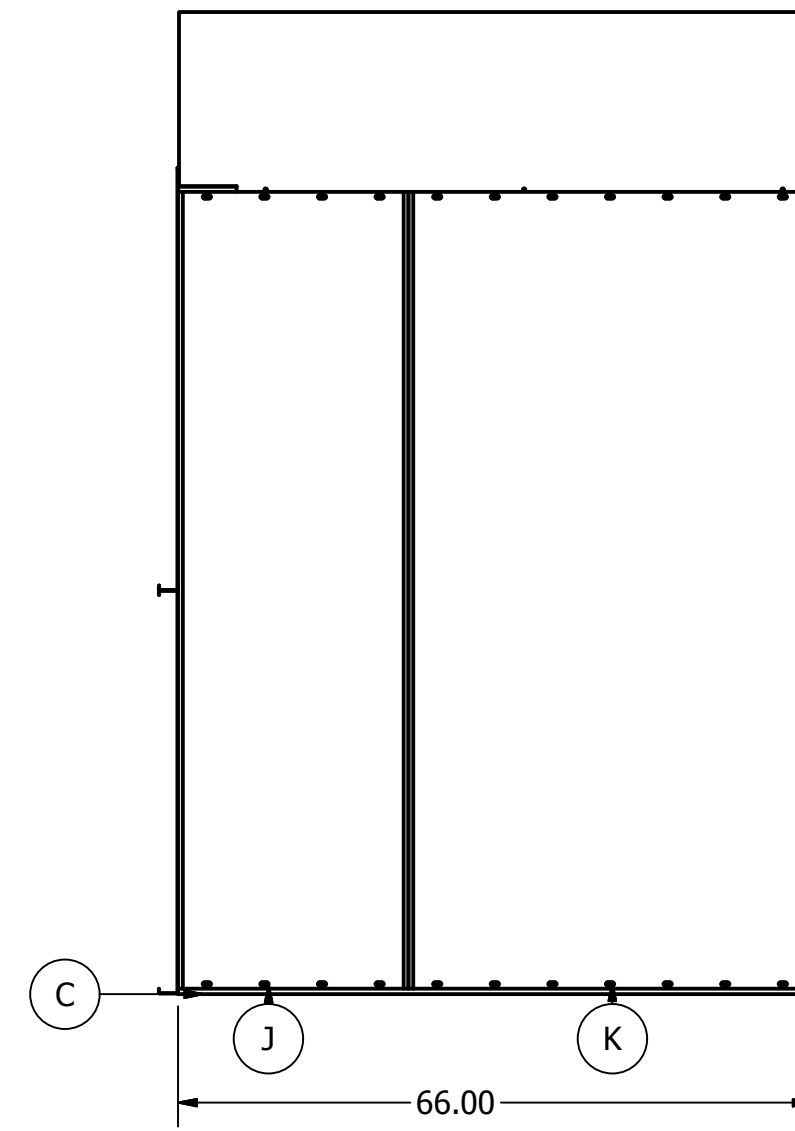
BACK



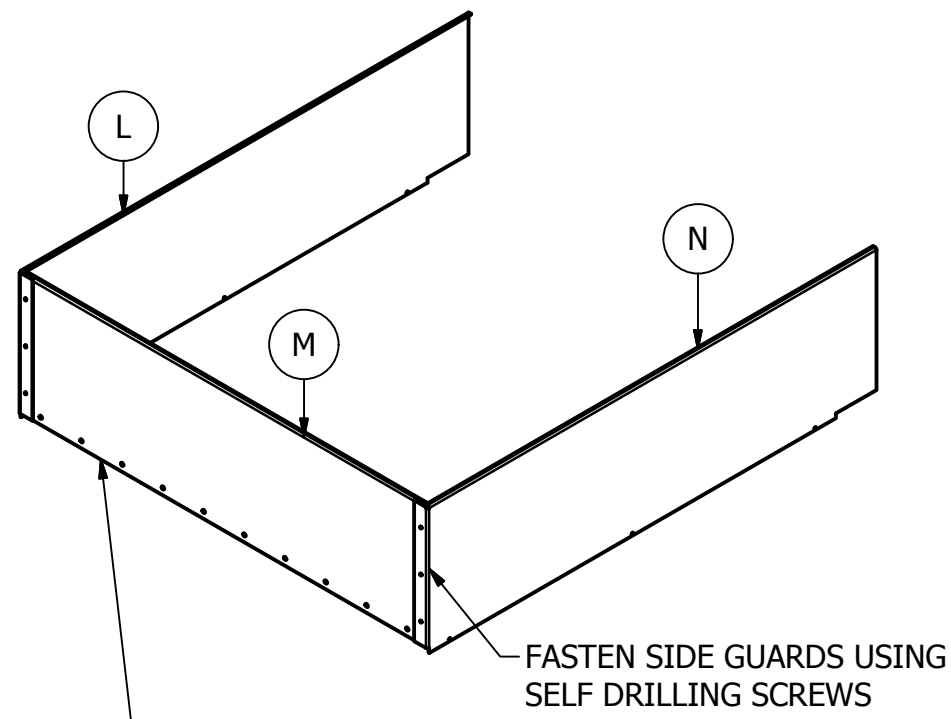
CUT OUT FOR EXHAUST FAN



LEFT



OPTIONAL ELECTRICAL GUARDS
ONLY IF ROOF HAS LIGHT



THIS PANEL IS INSTALLED IN FRONT OF THE FIRE GUARD. BOLTS PASS THROUGH FIRE GUARD AND FRONT GUARD.

EXHAUST CUT OUT TO BE INSTALLED BY CUSTOMER

DRAWN Tyler Cook	4/23/2014	JC METAL FABRICATION		
CHECKED		TITLE JCOF573.5		
QA		SIZE C	DWG NO JCOF573.5	REV A
MFG		SCALE .06	SHEET 2 OF 2	
APPROVED				

ALL PANELS CONSTRUCTED FROM 16GA
G90 GALVANIZED STEEL