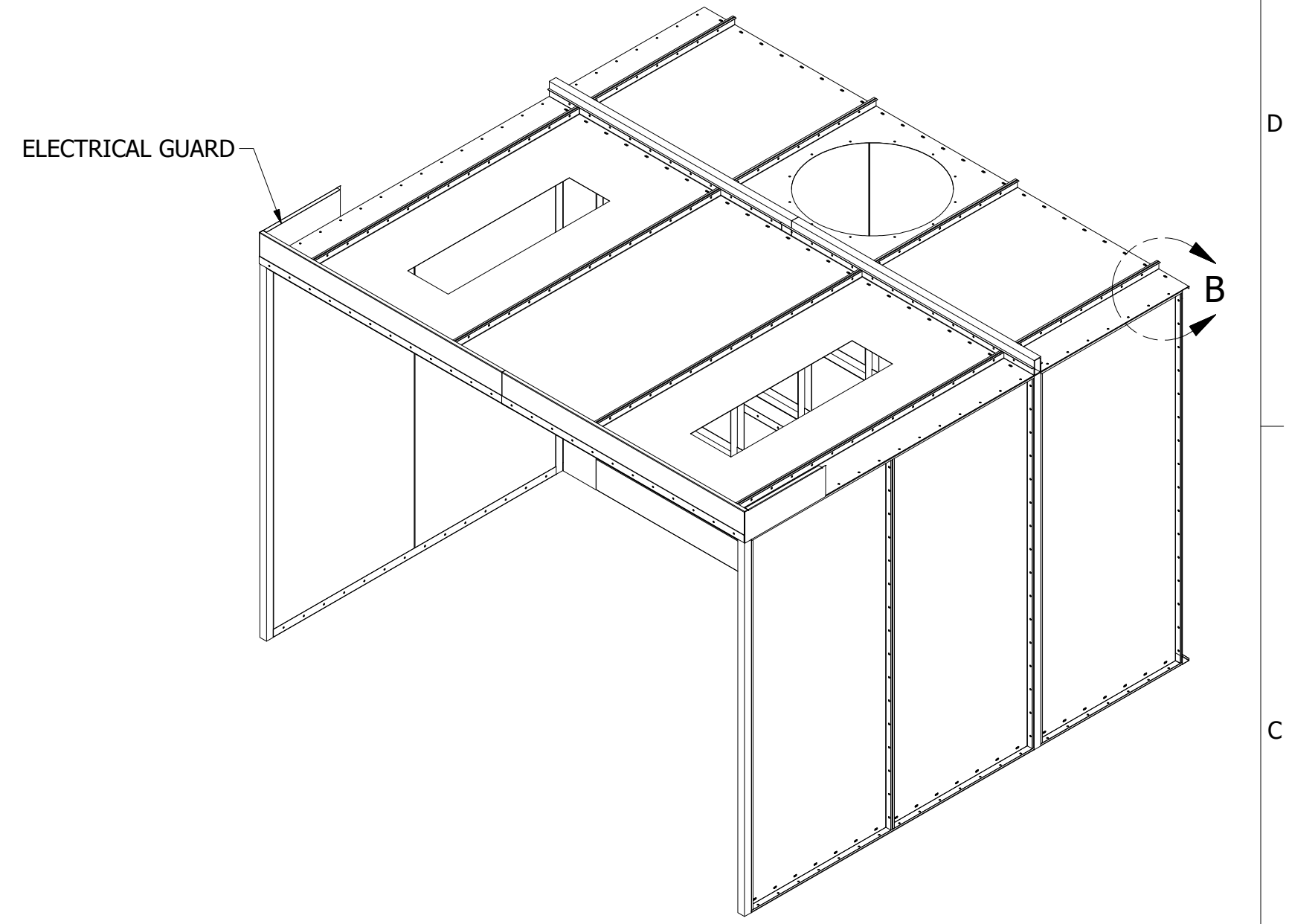
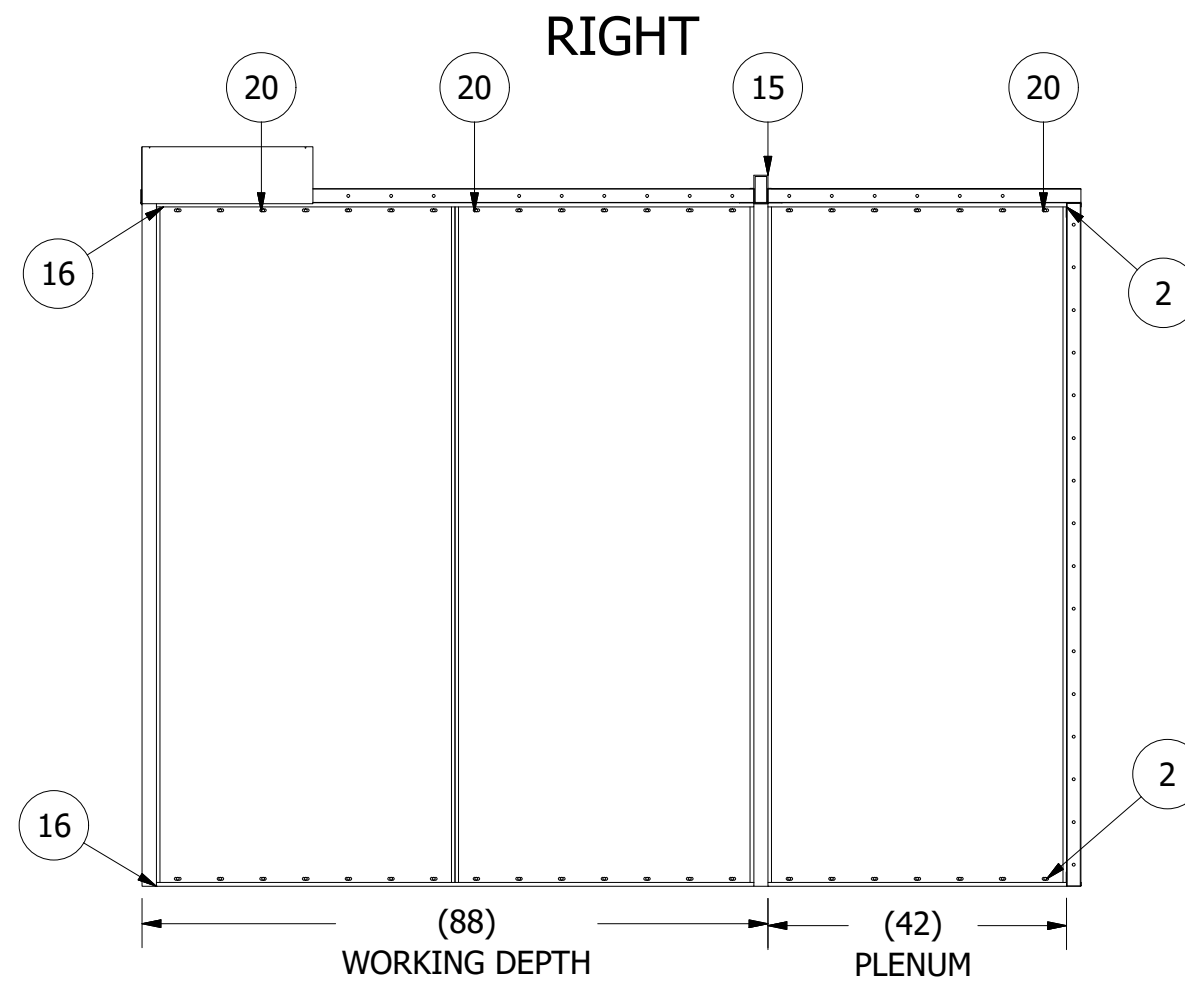
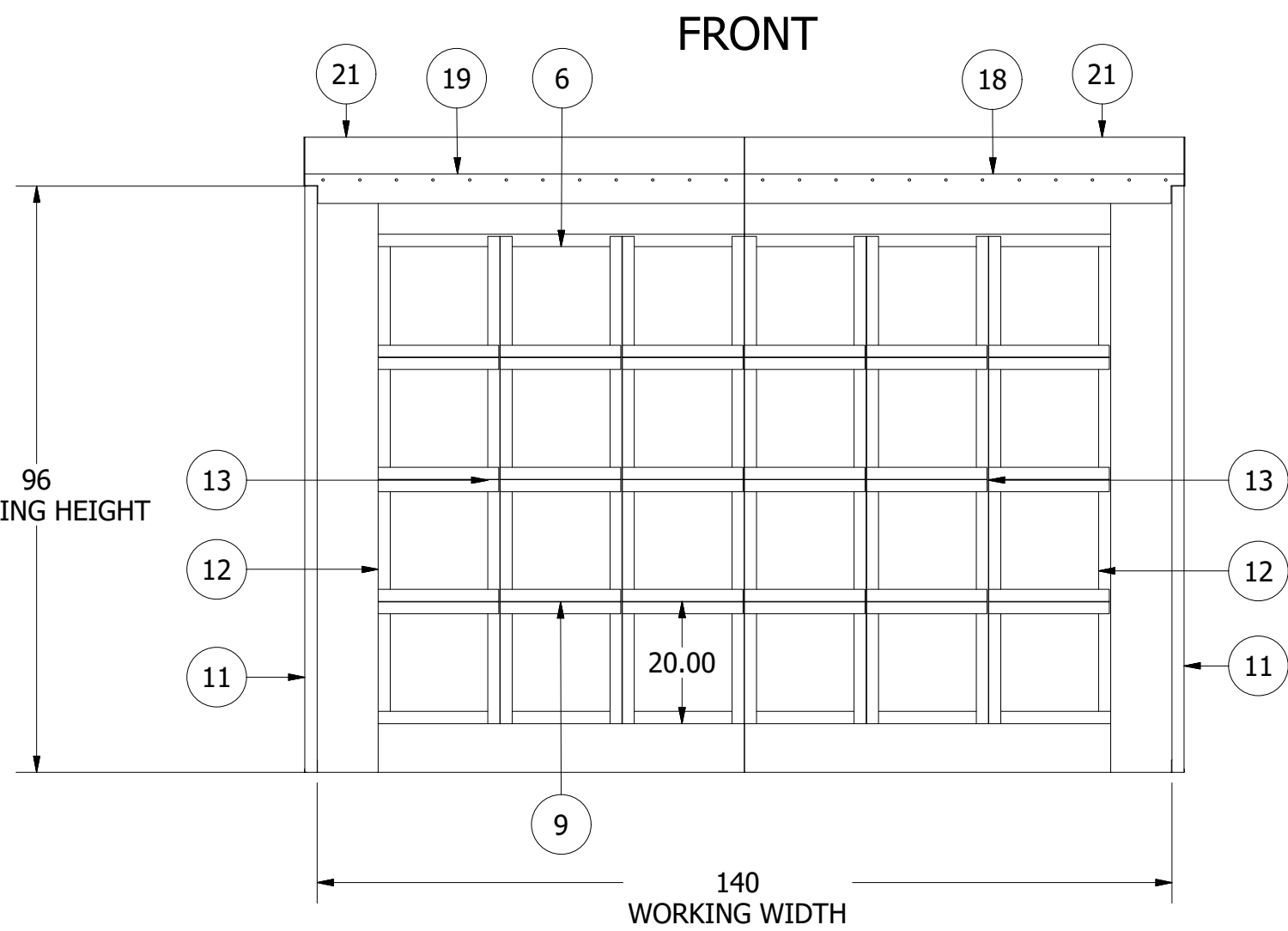
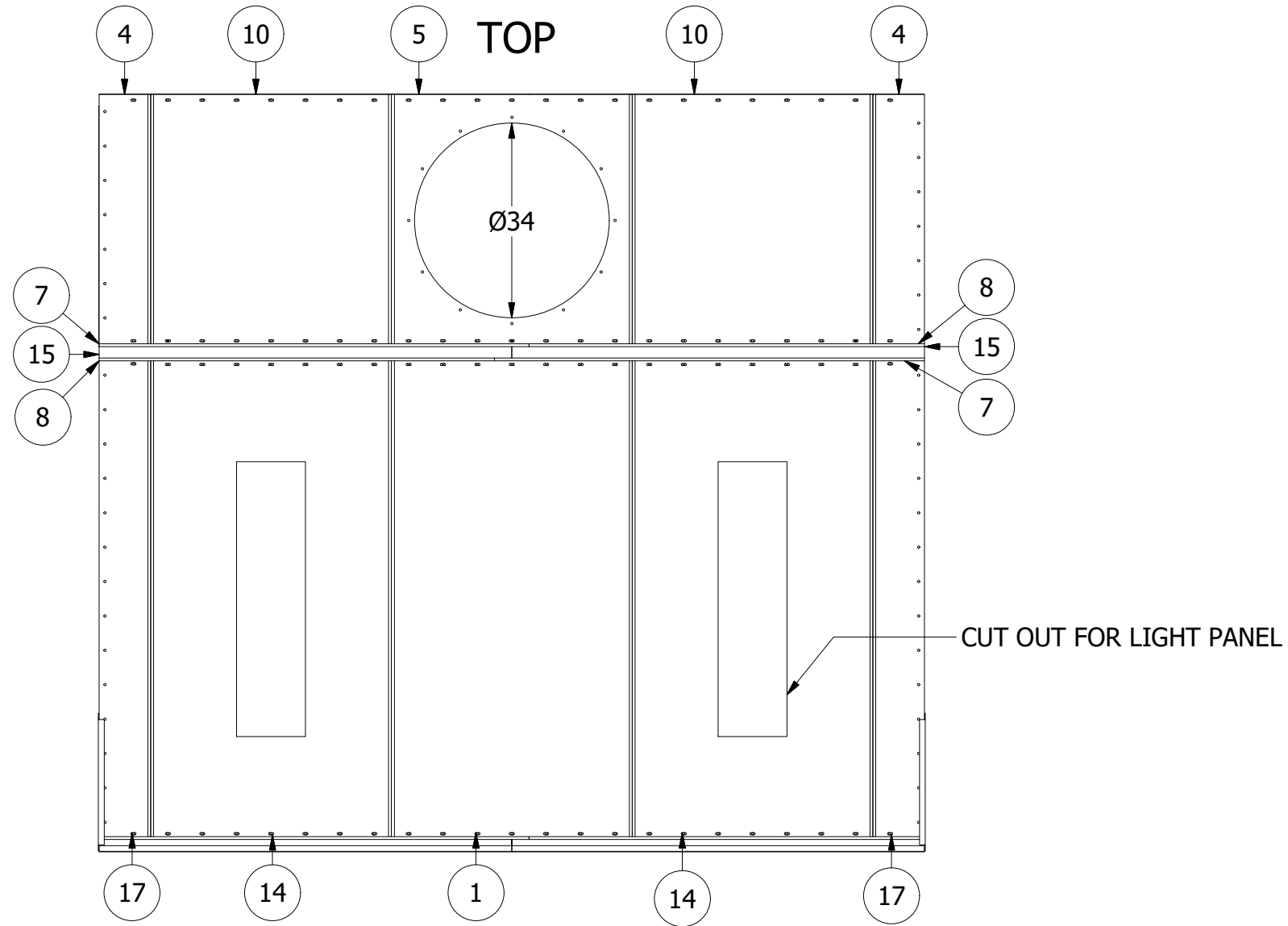
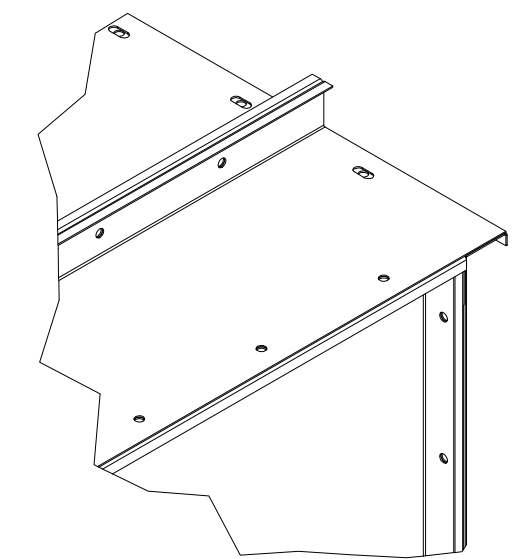


PARTS LIST		
ITEM	QTY	PART NUMBER
1	1	42 X 84
2	4	42 TRIM
3	2	9 X 96
4	2	9 X 44
5	1	42 X 44 EXHAUST
6	4	HORIZONTAL PLENUM
7	5	75 TRIM
8	5	69 TRIM
9	18	19.75 DIVIDER
10	2	42 X 44
11	4	2 X 2 X 96 FRAME
12	2	VERTICAL PLENUM
13	5	79.75 DIVIDER
14	2	42 X 84 LIGHT
15	4	2 X 4 X 72 FRAME
16	4	84 TRIM
17	2	9 X 84
18	1	72 FIRE GAURD
19	1	73 FIRE GAURD
20	9	42 X 96
21	2	FRONT GUARD
22	2	SIDE GUARD



EXAMPLE OF ROOF PANEL INTERSECTION

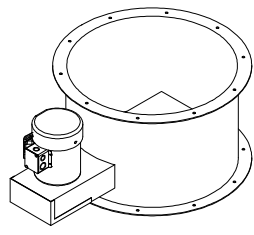


DETAIL B
SCALE .15

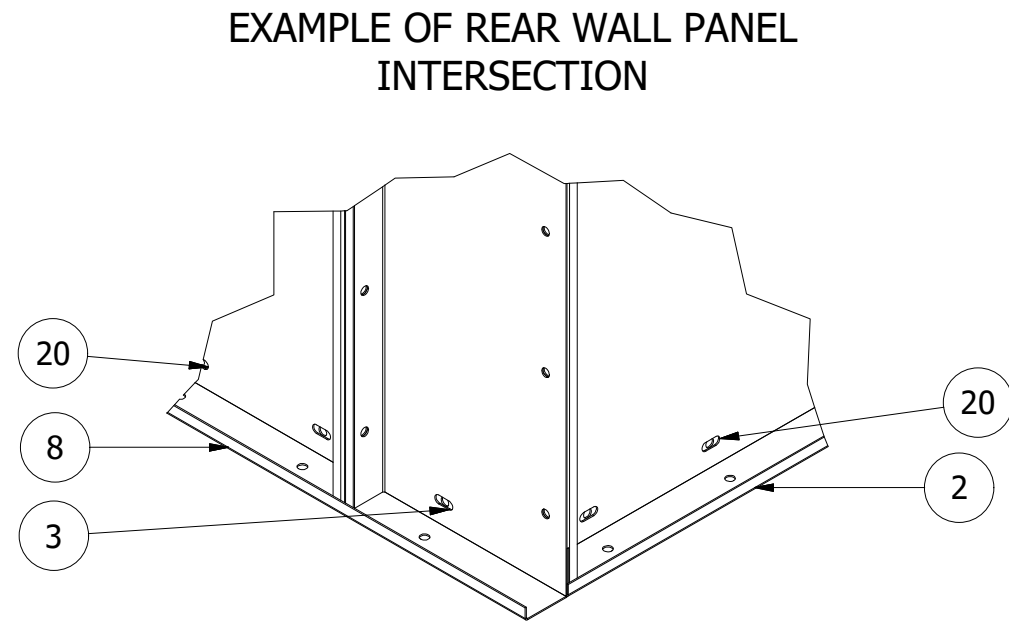
NOTE: ALL PANELS ARE CONSTRUCTED FROM 18GA G90 GALVANIZED STEEL

DRAWN TCOOK		JC METAL FABRICATION		
TOLERANCE UNLESS OTHERWISE SPECIFIED .XX = ± .060 .XXX = ± .125 ANGLES = ± 2°		TITLE JCOF1287		REV A
SIZE	DWG NO JCOF1287	SCALE 1/27		
SHEET 1 OF 3		SHEET 1 OF 3		

PARTS LIST		
ITEM	QTY	PART NUMBER
1	1	42 X 84
2	4	42 TRIM
3	2	9 X 96
4	2	9 X 44
5	1	42 X 44 EXHAUST
6	4	HORIZONTAL PLENUM
7	5	75 TRIM
8	5	69 TRIM
9	18	19.75 DIVIDER
10	2	42 X 44
11	4	2 X 2 X 96 FRAME
12	2	VERTICAL PLENUM
13	5	79.75 DIVIDER
14	2	42 X 84 LIGHT
15	4	2 X 4 X 72 FRAME
16	4	84 TRIM
17	2	9 X 84
18	1	72 FIRE GAURD
19	1	73 FIRE GAURD
20	9	42 X 96
21	2	FRONT GUARD
22	2	SIDE GUARD

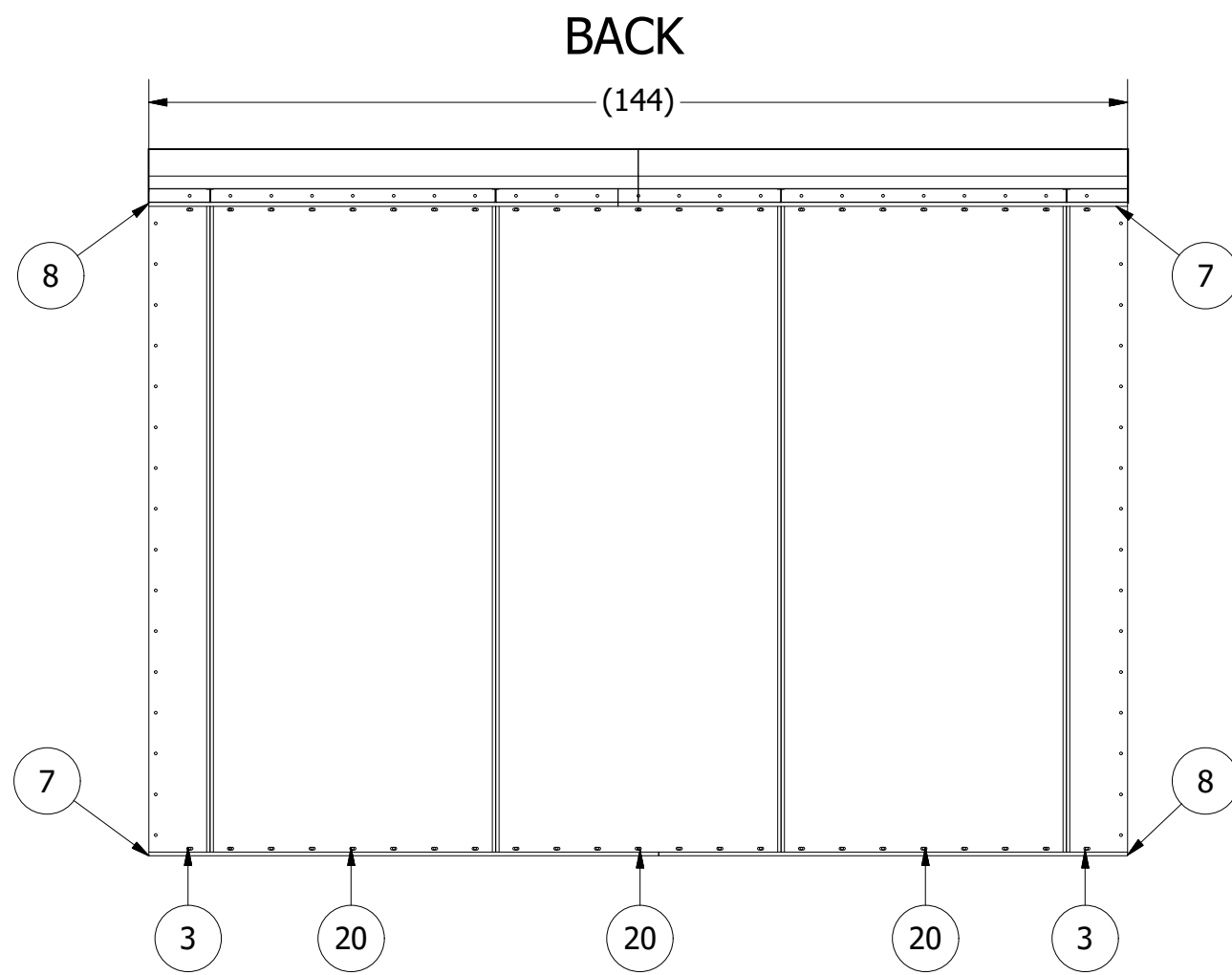
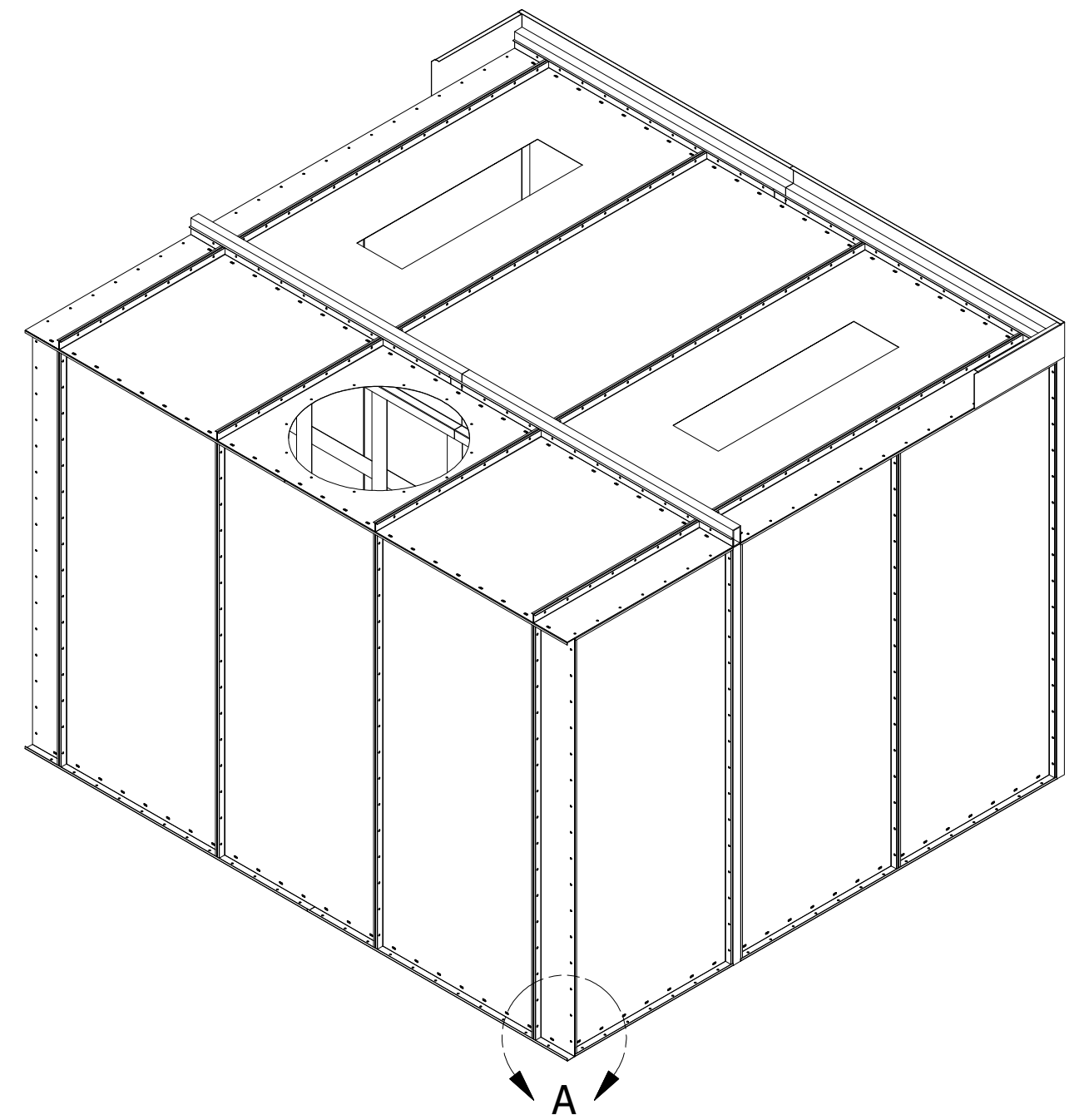


34" TUBE AXIAL FAN WITH TEFC MOTOR

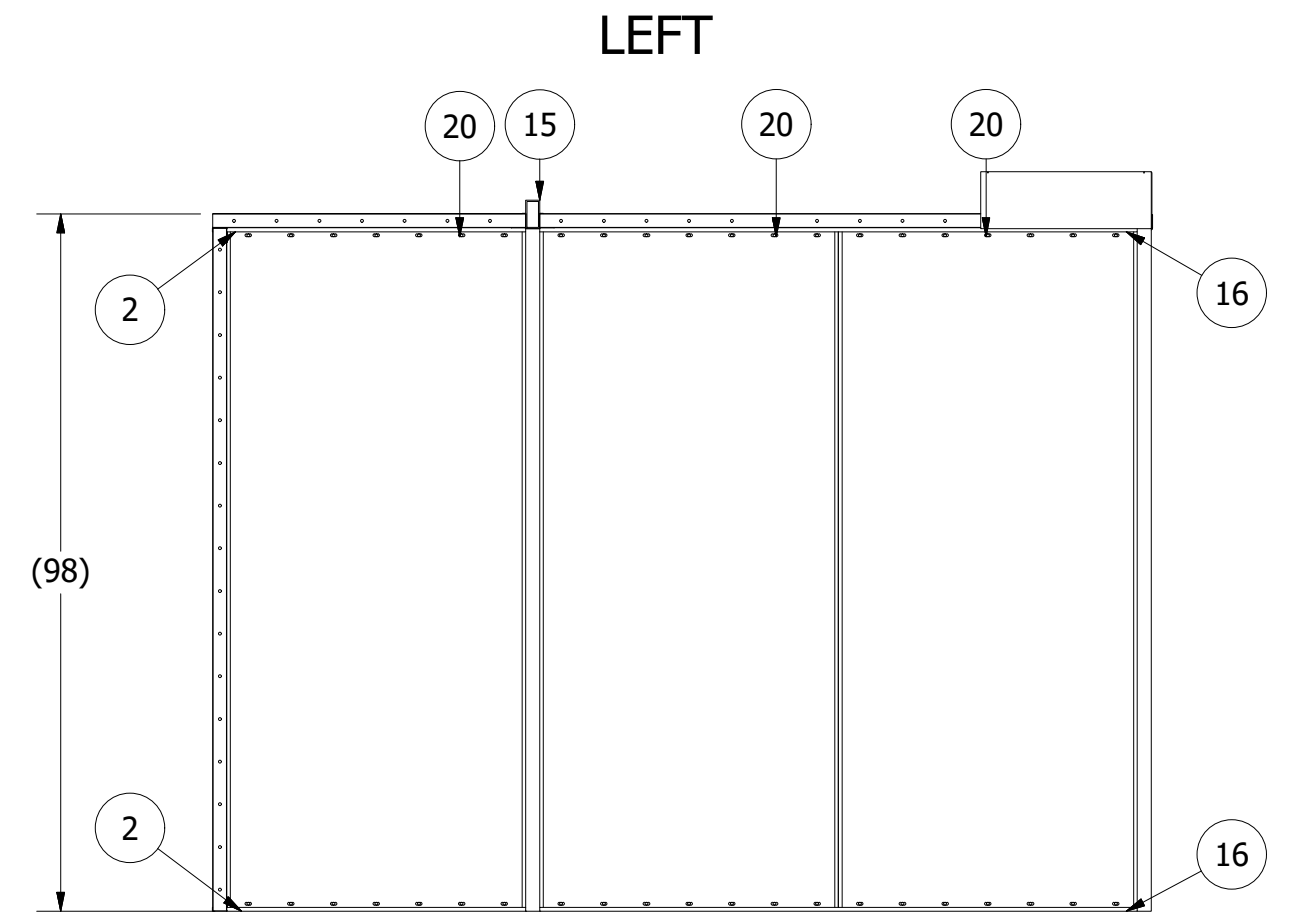


EXAMPLE OF REAR WALL PANEL INTERSECTION

DETAIL A
SCALE .15



BACK



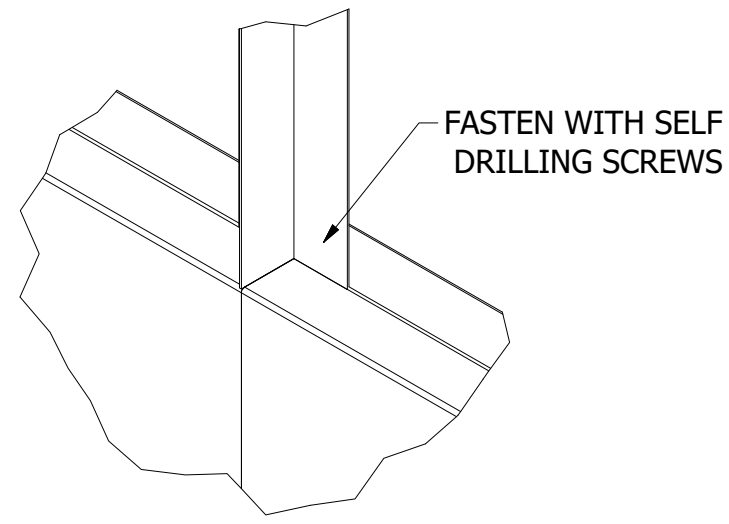
LEFT

DRAWN TCOOK		JC METAL FABRICATION		
TOLERANCE UNLESS OTHERWISE SPECIFIED .XX = ± .060 .XXX = ± .125 ANGLES = ± 2°		TITLE JCOF1287		REV A
SCALE	1/27	DWG NO	JCOF1287	SHEET 2 OF 3

PLENUM ONLY

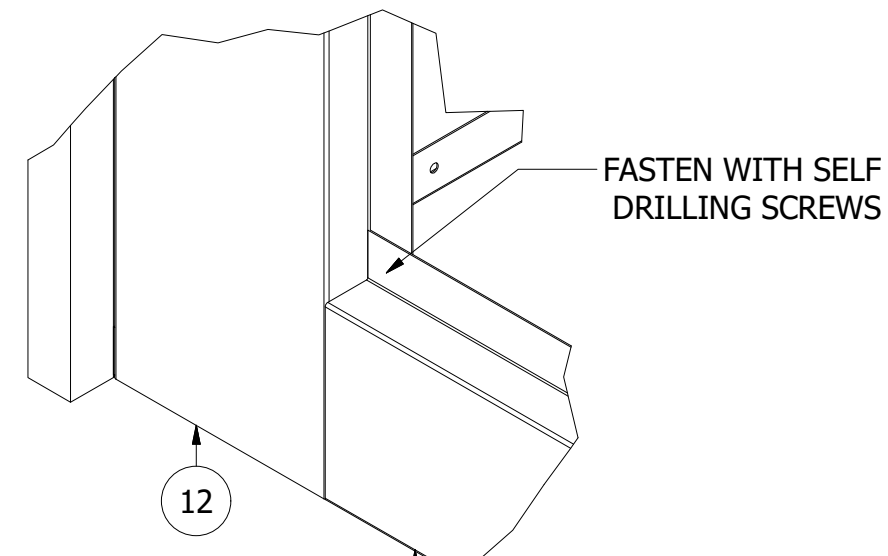
PARTS LIST		
ITEM	QTY	PART NUMBER
1	1	42 X 84
2	4	42 TRIM
3	2	9 X 96
4	2	9 X 44
5	1	42 X 44 EXHAUST
6	4	HORIZONTAL PLENUM
7	5	75 TRIM
8	5	69 TRIM
9	18	19.75 DIVIDER
10	2	42 X 44
11	4	2 X 2 X 96 FRAME
12	2	VERTICAL PLENUM
13	5	79.75 DIVIDER
14	2	42 X 84 LIGHT
15	4	2 X 4 X 72 FRAME
16	4	84 TRIM
17	2	9 X 84
18	1	72 FIRE GAURD
19	1	73 FIRE GAURD
20	9	42 X 96
21	2	FRONT GUARD
22	2	SIDE GUARD

EXAMPLE OF MIDDLE PLENUM PANEL CONNECTION

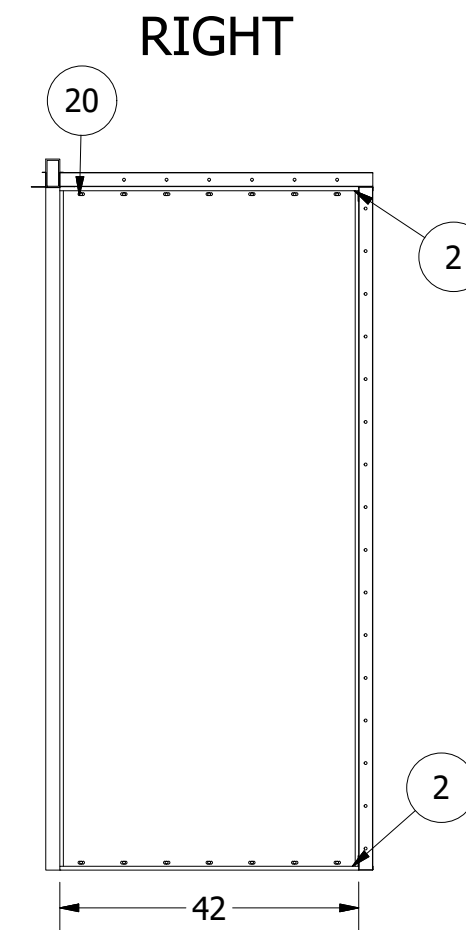
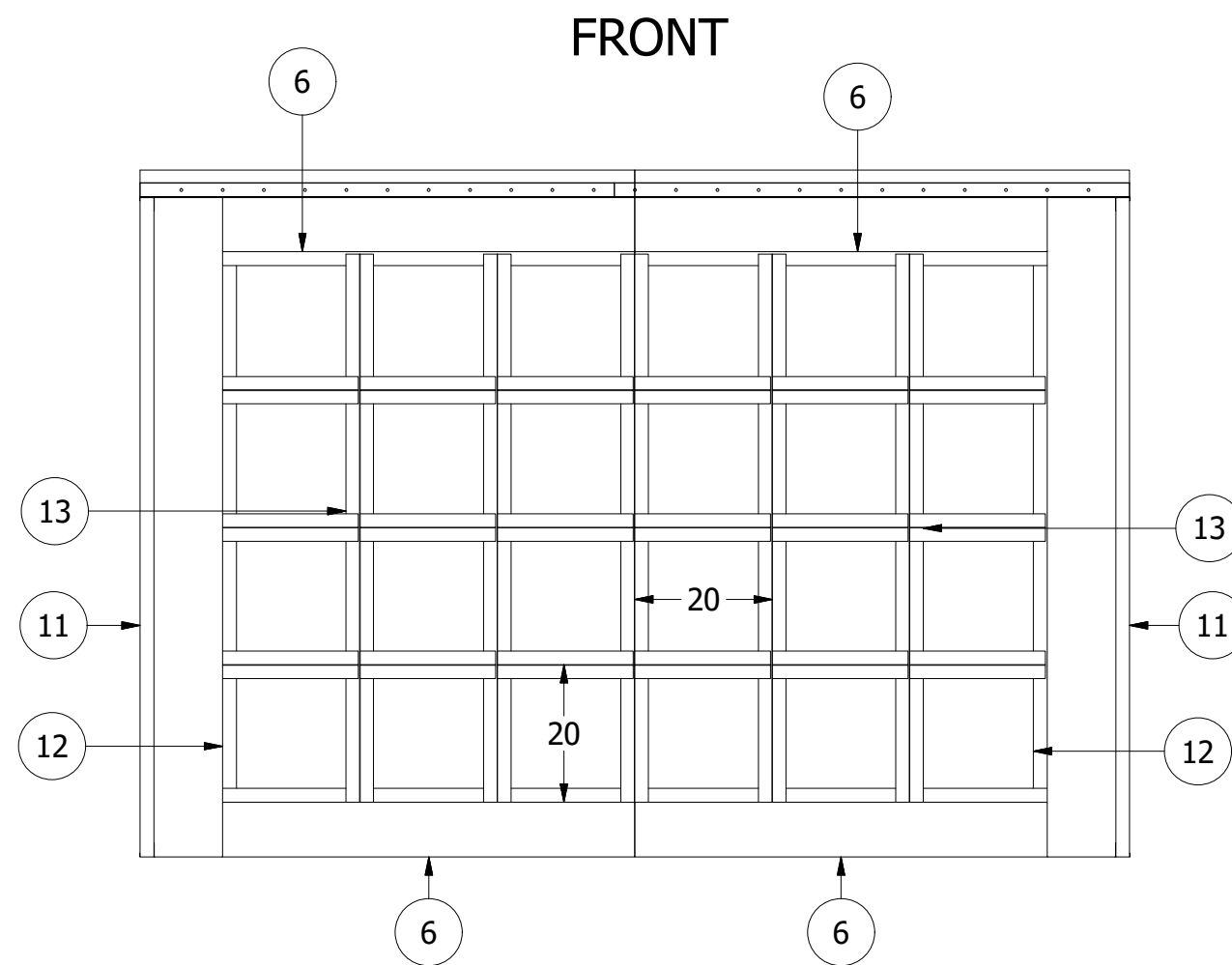
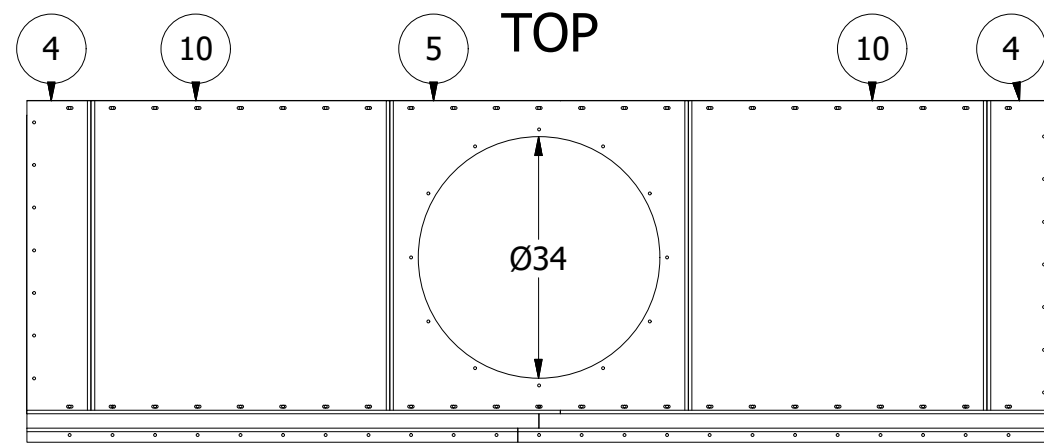
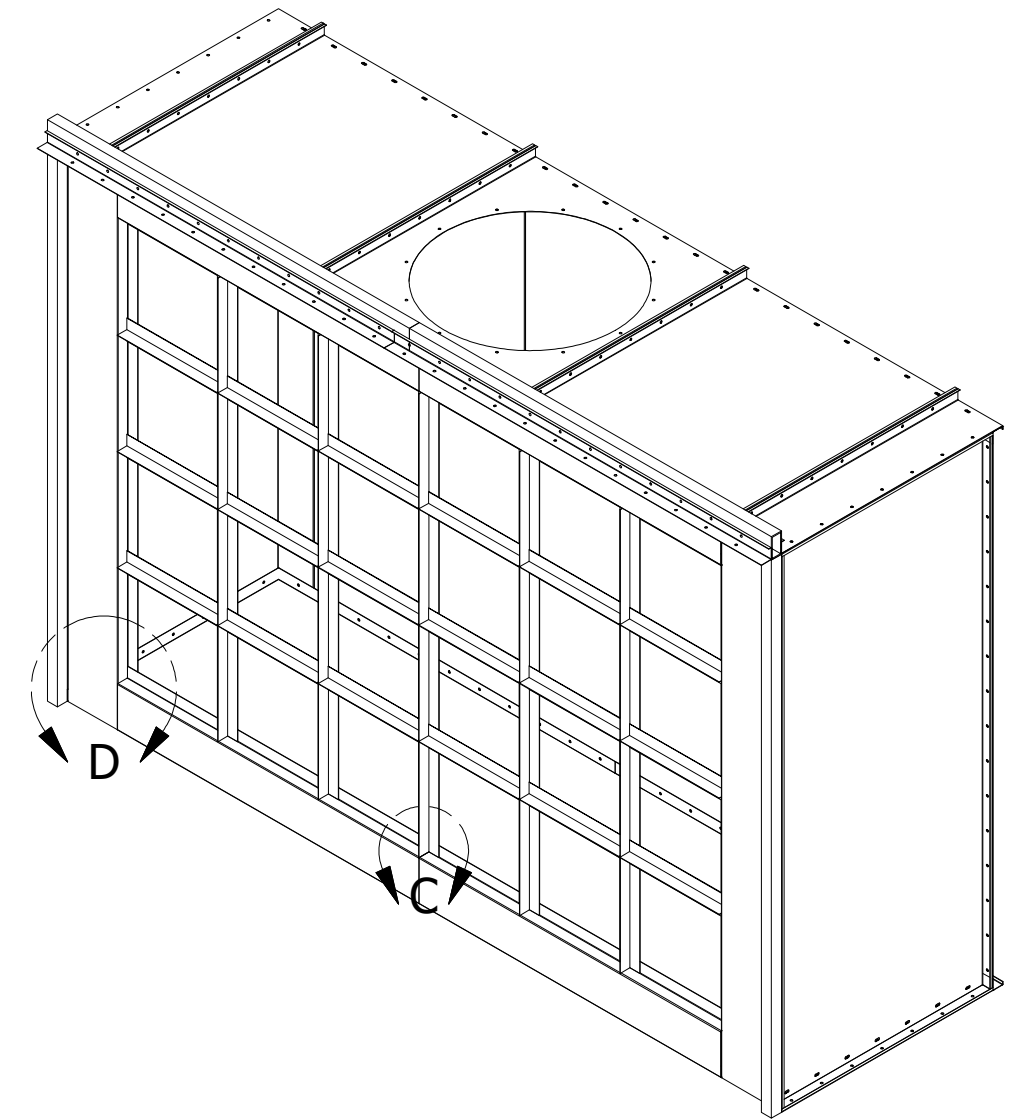


DETAIL C
SCALE .2

EXAMPLE OF VERTICAL AND HORIZONTAL PLENUM PANEL CONNECTION



DETAIL D
SCALE .157



PLENUM INSTRUCTIONS:

1. FASTEN VERTICAL AND HORIZONTAL PLENUM PANELS TO SIDE WALLS USING SELF DRILLING SCREWS AS SHOWN.

2. FASTEN DIVIDERS TO PLENUM PANELS SPACING 20.00" APART ON CENTER AS SHOWN.

DRAWN TCOOK	JC METAL FABRICATION		
TOLERANCE UNLESS OTHERWISE SPECIFIED .XX = ± .060 .XXX = ± .125 ANGLES = ± 2°	TITLE JCOF1287	DWG NO JCOF1287	REV A
SCALE 1/27	SHEET 3 OF 3		