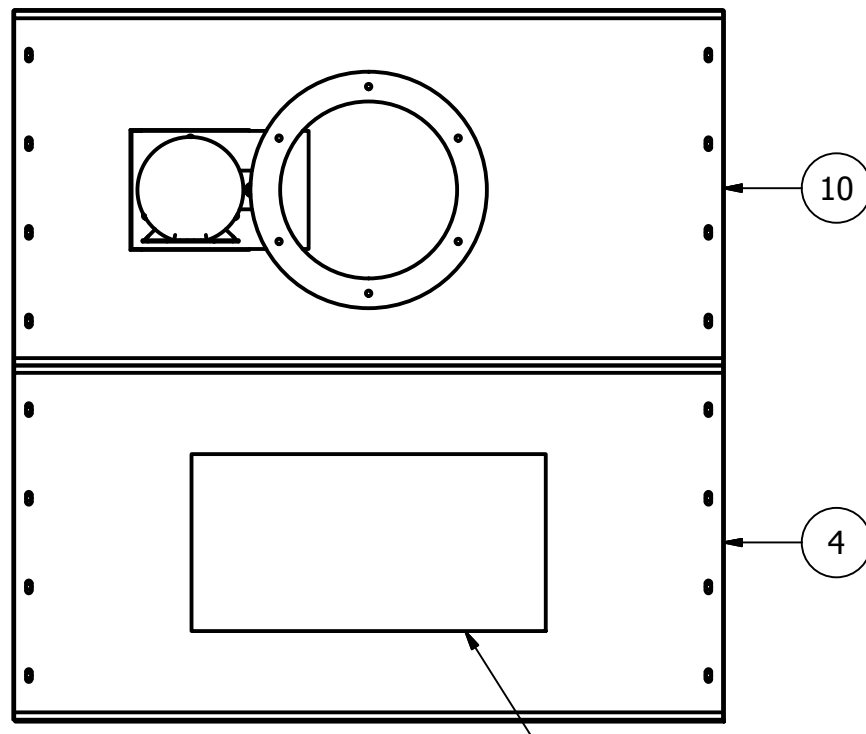
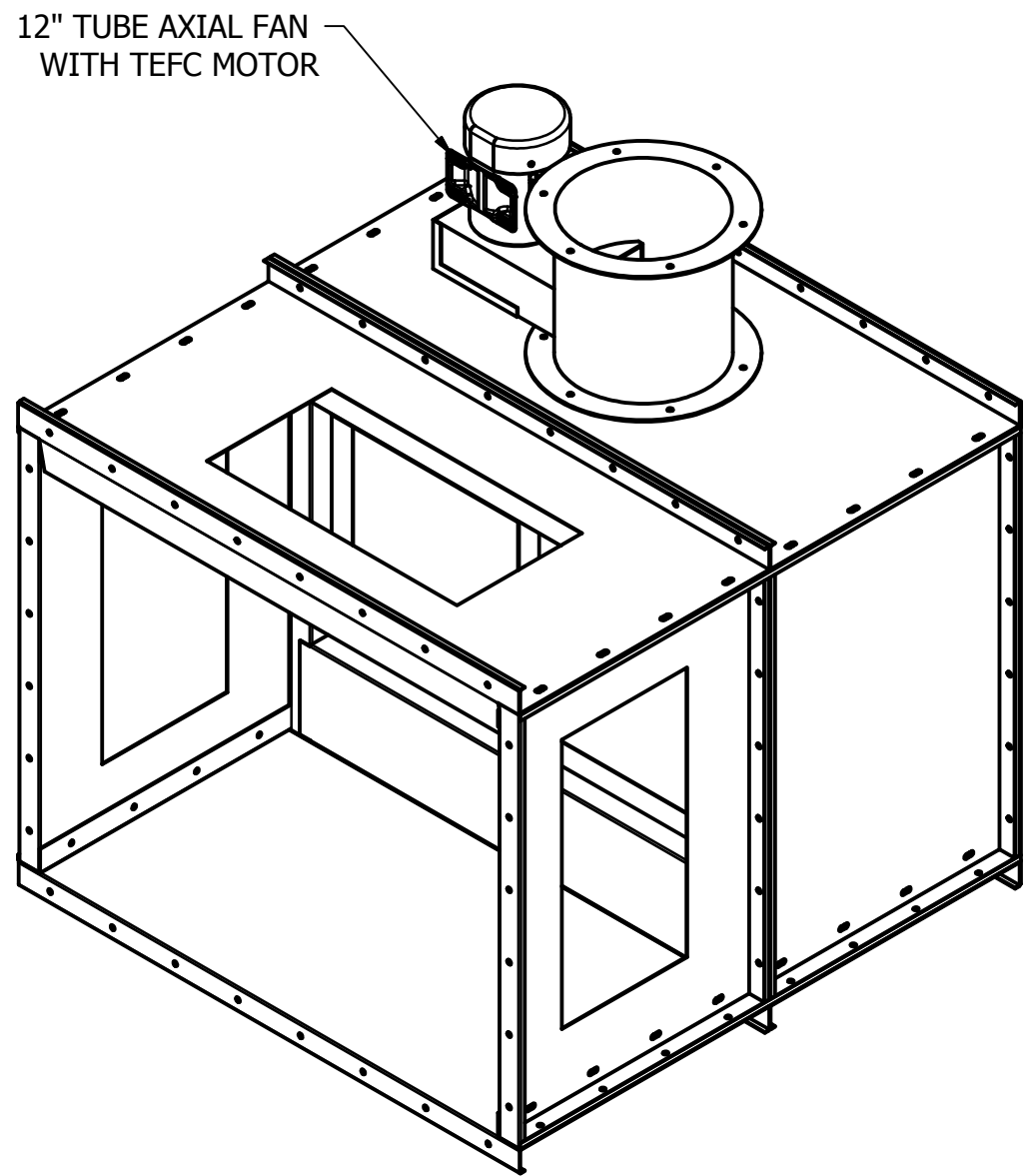


PARTS LIST		
ITEM	QTY	PART NUMBER
1	4	48 TRIM
2	4	24 X 36
4	3	24 X 48
5	2	VERTICAL PLENUM
6	1	40 X 48
7	2	HORIZONTAL PLENUM
8	1	19.75 DIVIDER
9	1	48 FIREGUARD
10	1	24 X 48 FAN
11	1	12 FAN ASSEMBLY

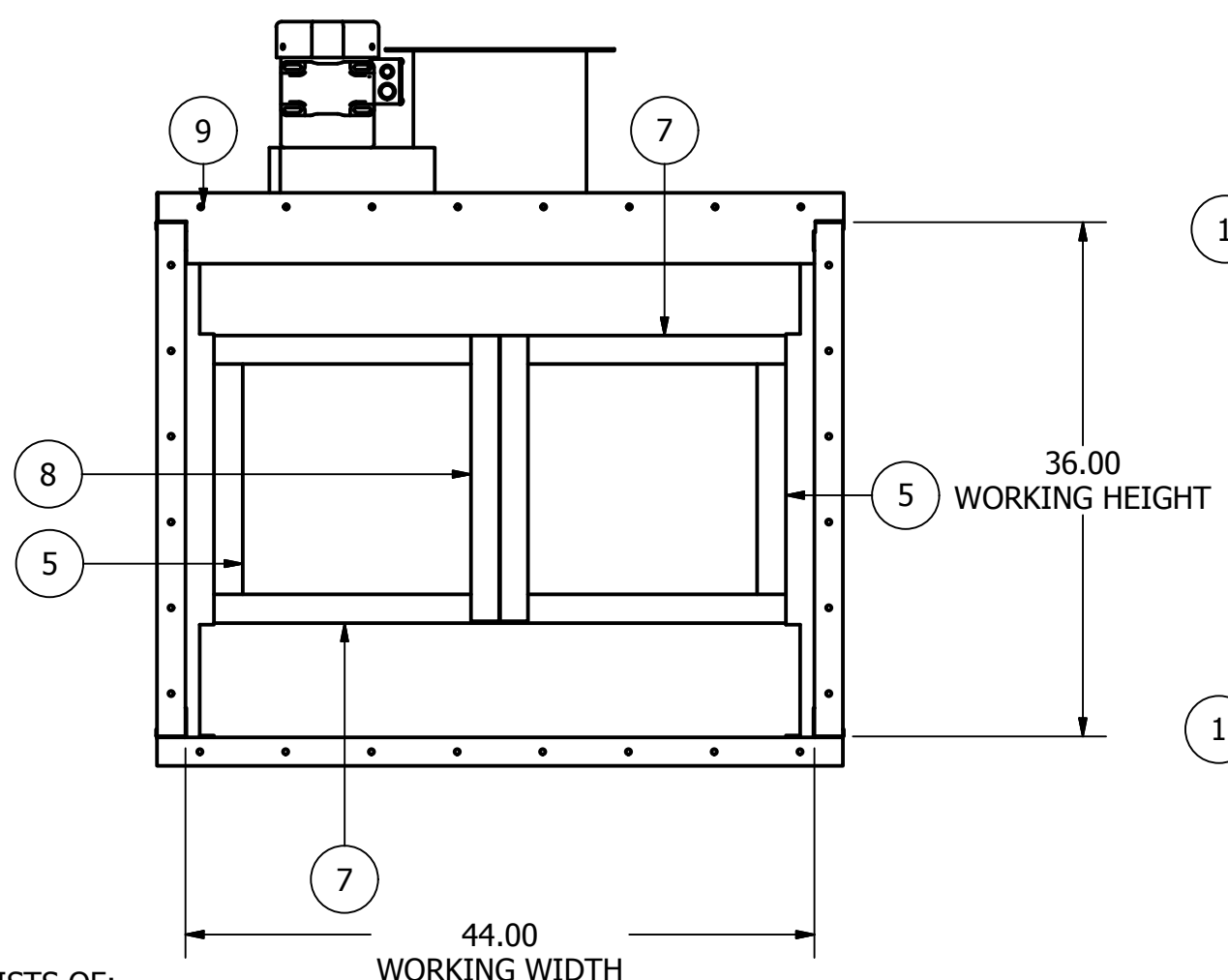
TOP



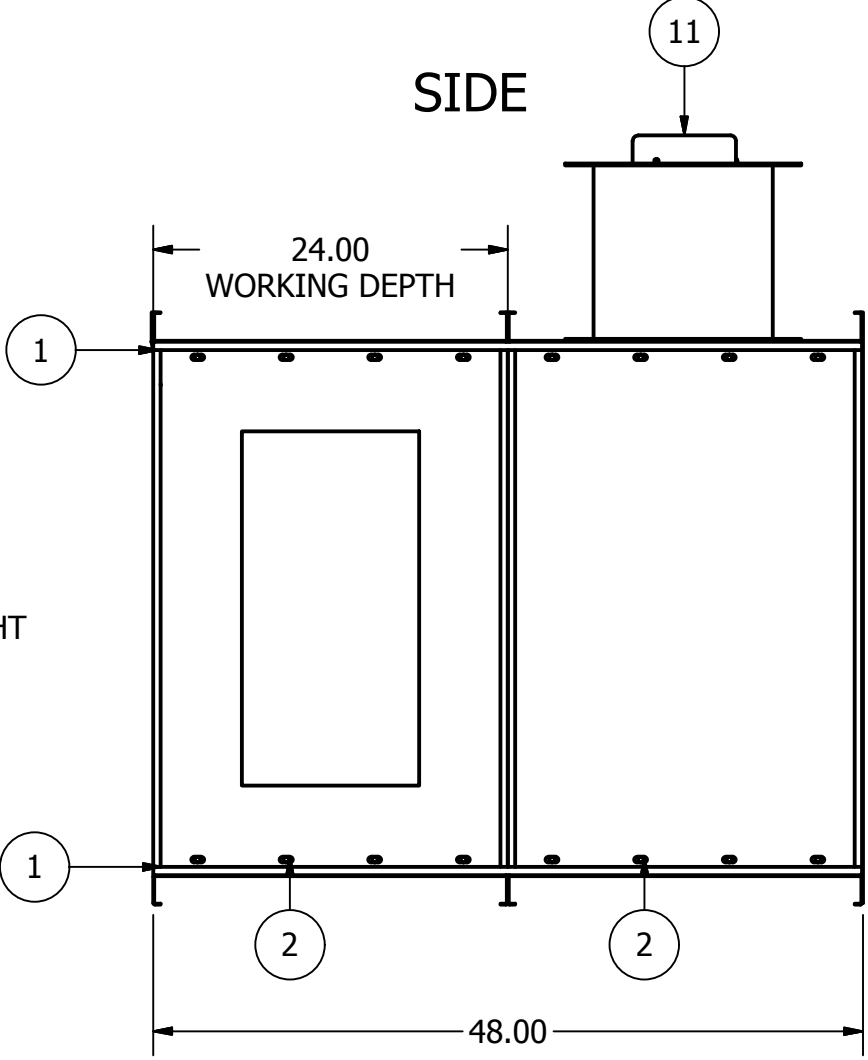
3 X OPTIONAL (12 X 24 LIGHT)



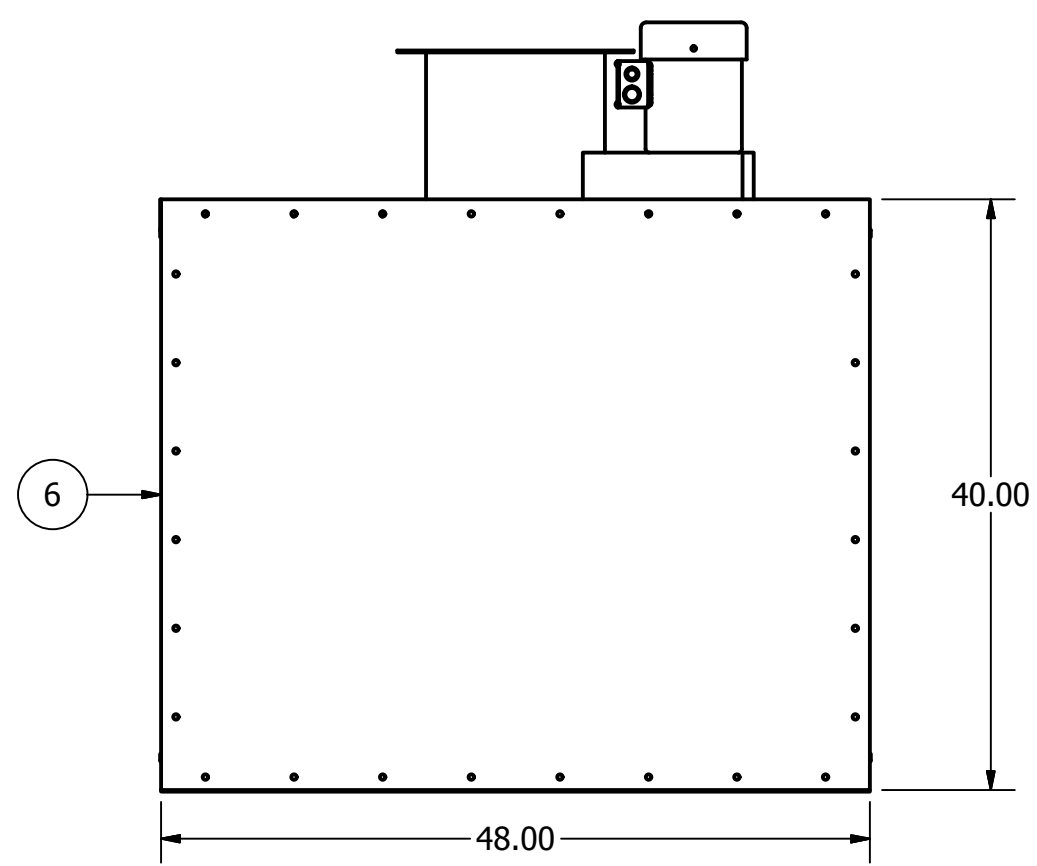
FRONT



SIDE



BACK



PLENUM CONSISTS OF:
 2- VERTICAL PLENUM PANELS
 2 - HORIZONTAL PLENUM PANELS
 1 - 19.75 "T" DIVIDER

FASTEN PLENUM PANELS TO SIDE WALLS USING SELF DRILLING SCREWS. FASTEN "T" DIVIDER TO PLENUM PANELS SPACING 20.00 APART ON CENTER AS SHOWN

ALL PANELS CONSTRUCTED FROM 18GA G90 GALVANIZED STEEL

DRAWN	7/13/2014	JC METAL FABRICATION		
TCCOOK				
CHECKED		TITLE		
QA		JCTTNRP4		
MFG		SIZE	DWG NO	REV
APPROVED		C	JCTTNRP4	A
		SCALE	1/13	SHEET 1 OF 1