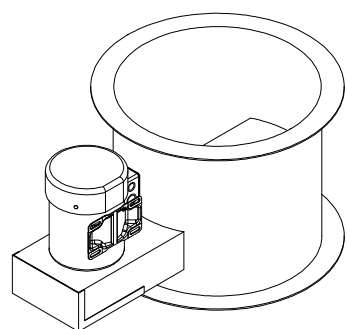
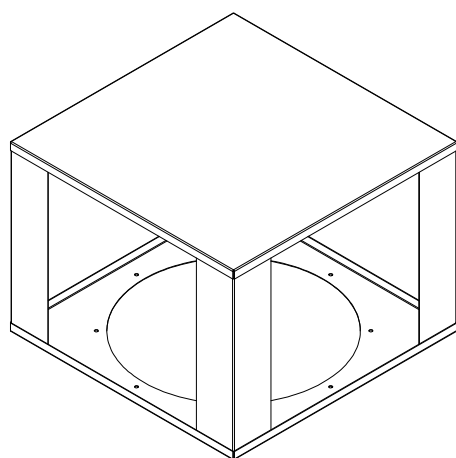


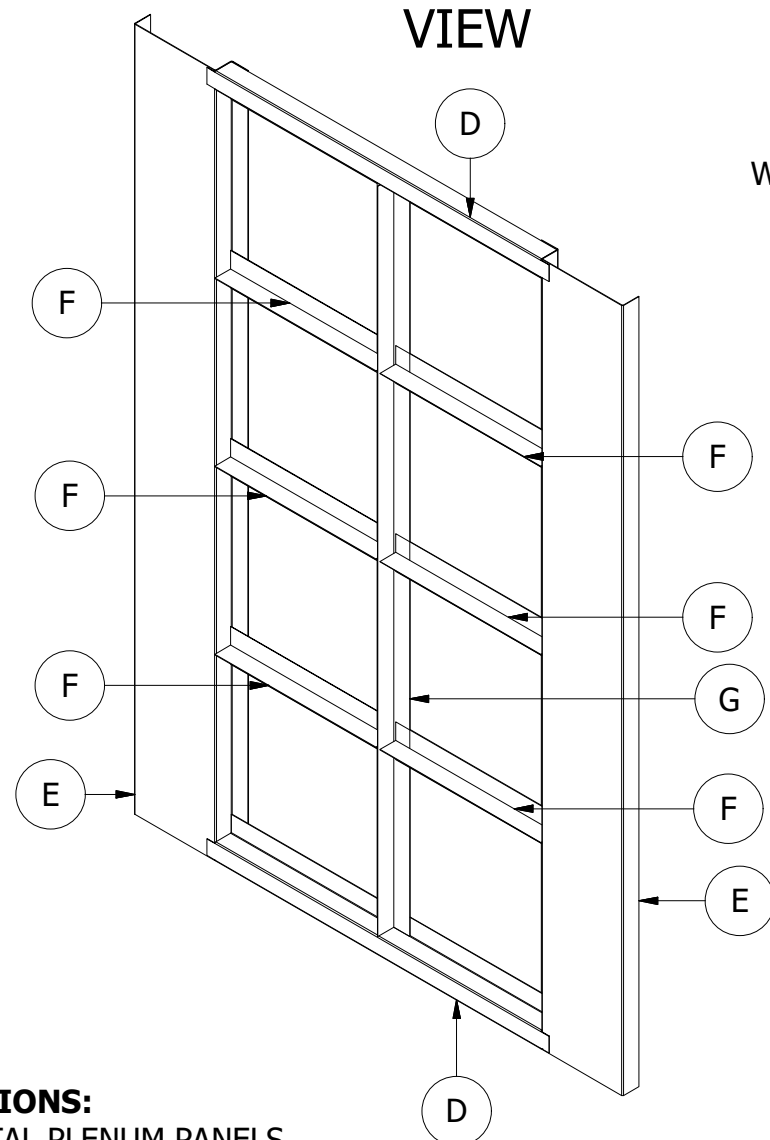
PARTS LIST		
ITEM	QTY	PART NUMBER
A	1	42 X 64 LIGHT
B	1	44 X 64
C	4	66 TRIM
D	2	HORIZONTAL PLENUM
E	2	VERTICAL PLENUM
F	6	19.75 DIVIDER
G	1	79.75 DIVIDER
H	1	24 X 64 FAN
I	1	64 FIRE GUARD
J	2	24 X 84
K	2	42 X 84
L	1	LEFT GAURD PANEL
M	1	FRONT GUARD PANEL
N	1	RIGHT GUARD PANEL
O	1	42 X 64

DIFFUSER BOX ASSEMBLY



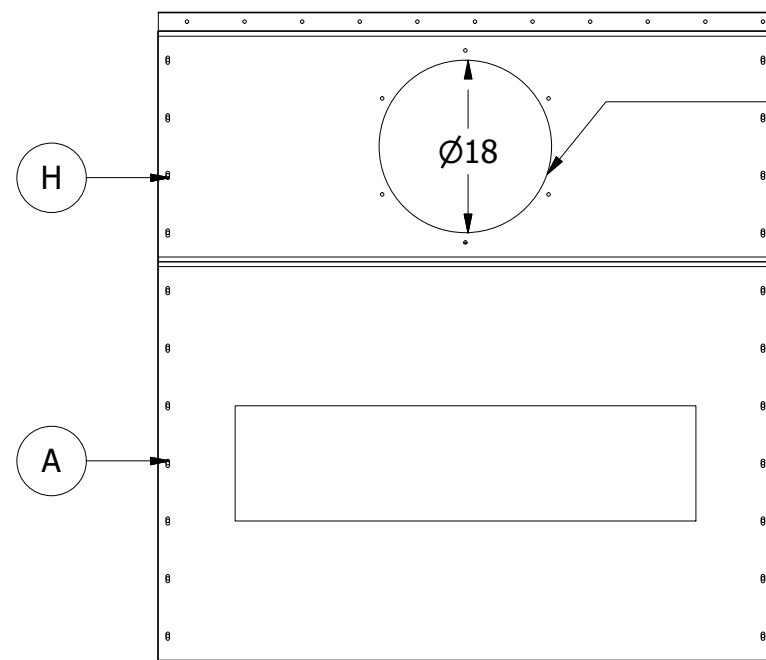
18" TUBE AXIAL FAN WITH TEFC MOTOR

PLENUM ONLY VIEW



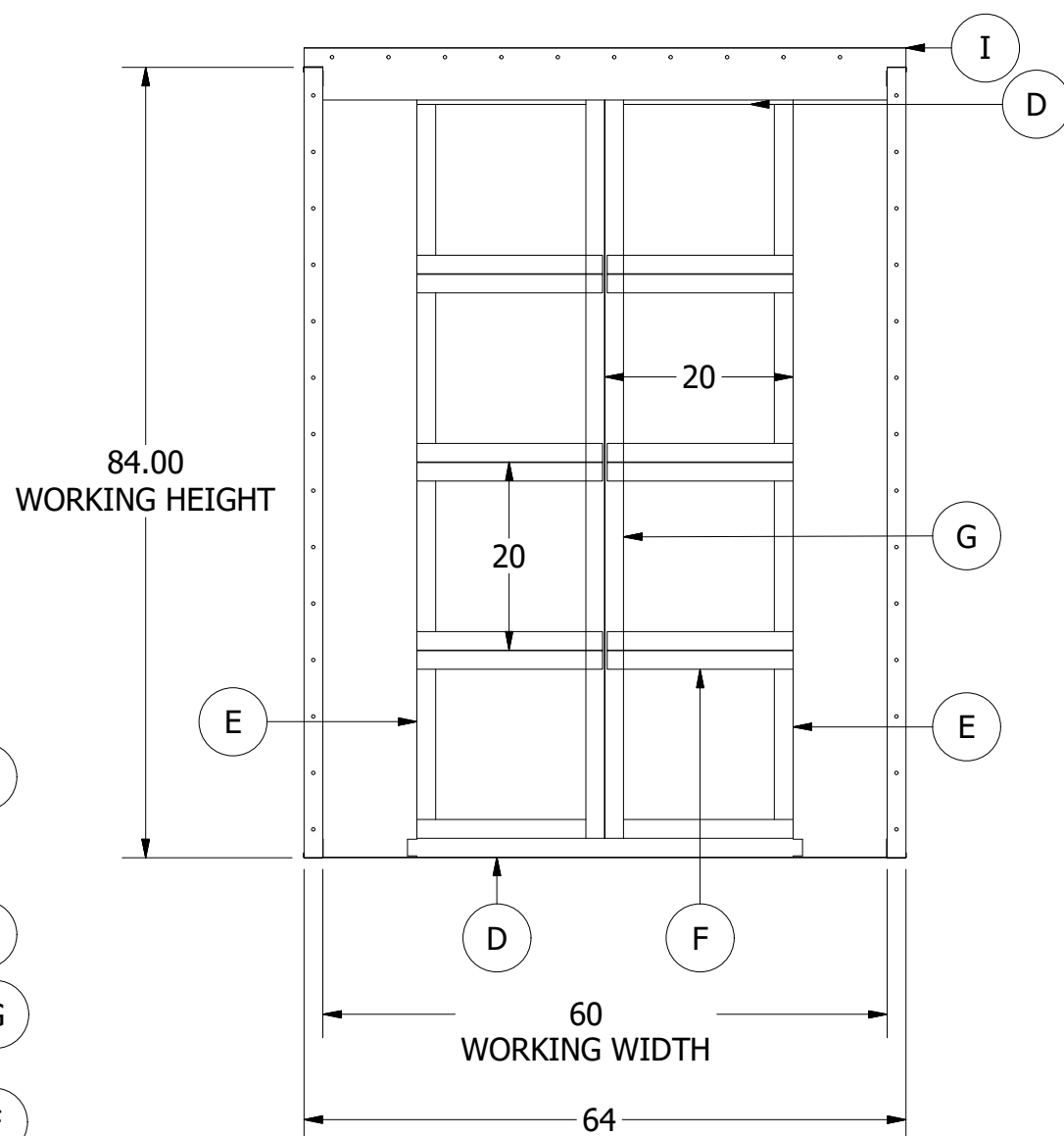
**PLENUM INSTRUCTIONS:**  
 INSTALL VERTICAL AND HORIZONTAL PLENUM PANELS TO SIDE WALL USING SELF DRILLING SCREWS. INSTALL DIVIDERS TO PLENUM PANELS SPACING 20.00" APART ON CENTER. (SEE PLENUM ONLY VIEW)

TOP

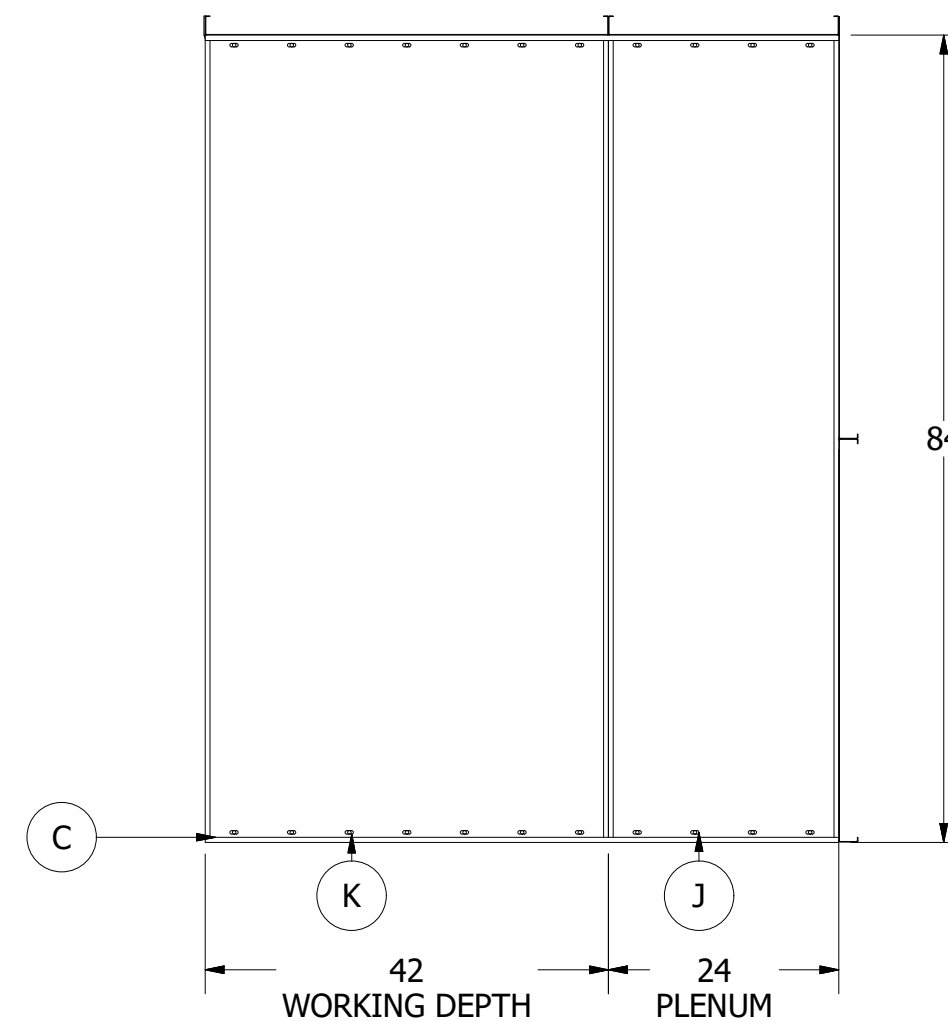


CUT OUT FOR EXHAUST FAN

FRONT



RIGHT

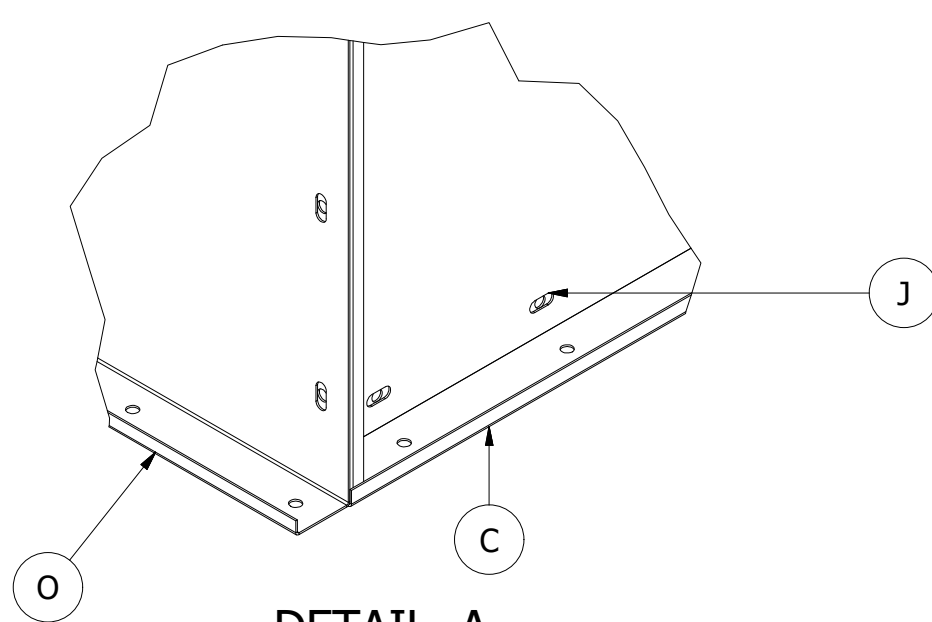


DRAWN TCOOK	3/1/2016	JC METAL FABRICATION		
CHECKED		TITLE JCOFNRP573.5		
QA		SIZE C	DWG NO JCOFNRP573.5	REV A
MFG		SCALE .06	SHEET 1 OF 2	
APPROVED				

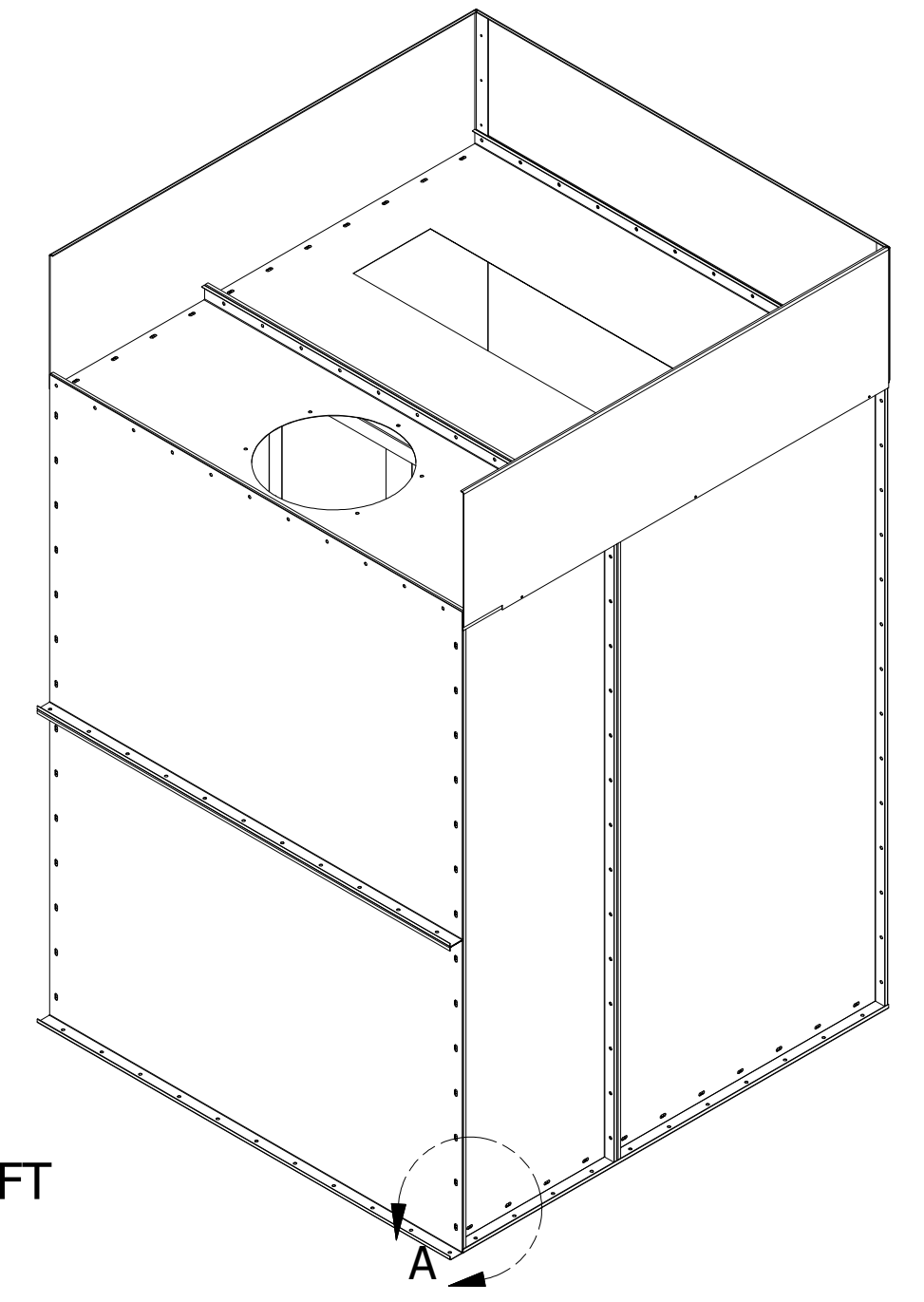
ALL PANELS CONSTRUCTED FROM 18GA G90 GALVANIZED STEEL

PARTS LIST		
ITEM	QTY	PART NUMBER
A	1	42 X 64 LIGHT
B	1	44 X 64
C	4	66 TRIM
D	2	HORIZONTAL PLENUM
E	2	VERTICAL PLENUM
F	6	19.75 DIVIDER
G	1	79.75 DIVIDER
H	1	24 X 64 FAN
I	1	64 FIRE GUARD
J	2	24 X 84
K	2	42 X 84
L	1	LEFT GAURD PANEL
M	1	FRONT GUARD PANEL
N	1	RIGHT GUARD PANEL
O	1	42 X 64

EXAMPLE OF REAR WALL  
PANEL INTERSECTION

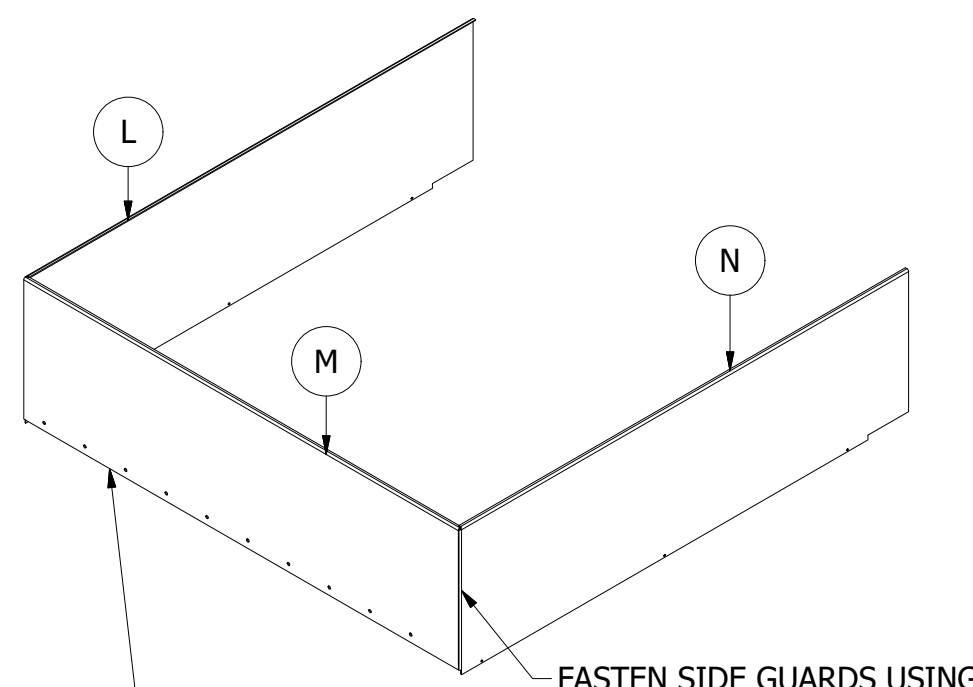


DETAIL A  
SCALE 1/5



LEFT

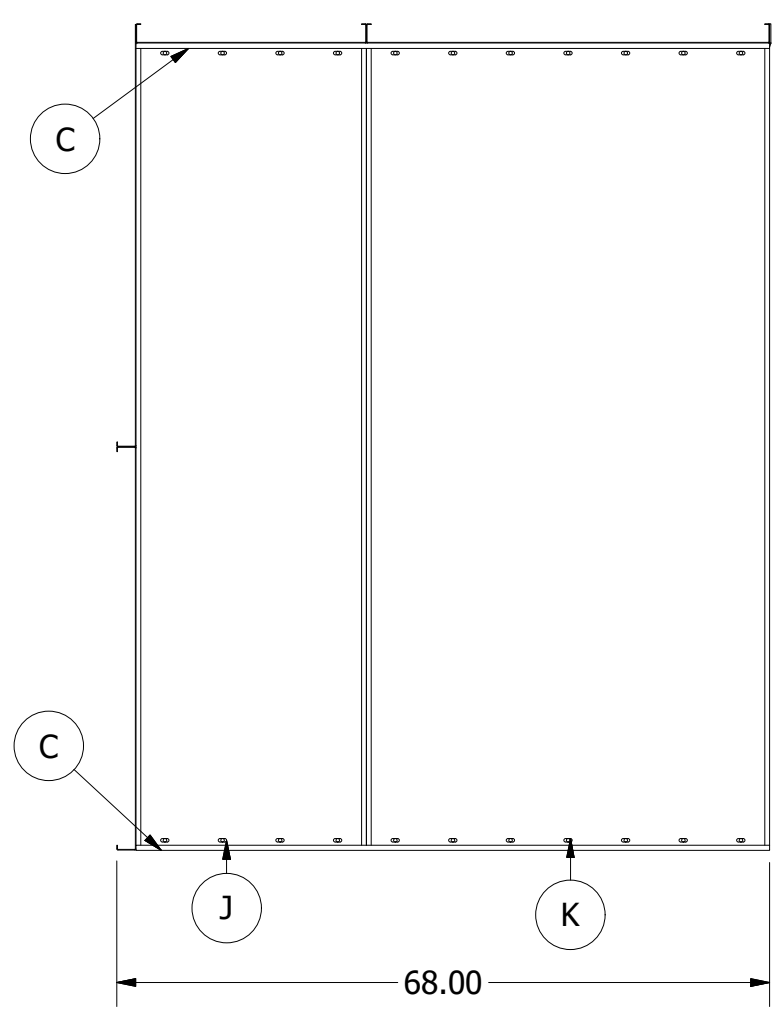
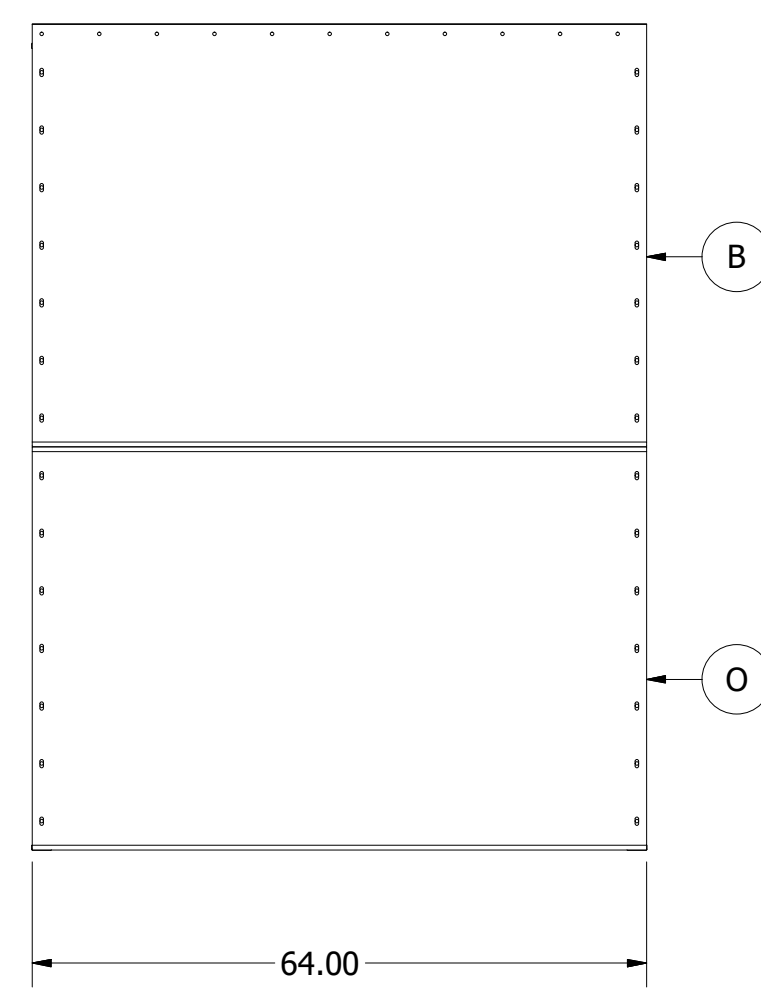
OPTIONAL ELECTRICAL GUARD



THIS PANEL IS INSTALLED IN FRONT  
OF THE FIRE GUARD. BOLTS PASS  
THROUGH FIRE GUARD AND FRONT GUARD.

FASTEN SIDE GUARDS USING  
SELF DRILLING SCREWS

BACK



ALL PANELS CONSTRUCTED FROM 18GA  
G90 GALVANIZED STEEL

DRAWN TCOOK	3/1/2016	JC METAL FABRICATION		
CHECKED		TITLE JCOFNRP573.5		
QA		SIZE C	DWG NO JCOFNRP573.5	REV A
MFG		SCALE .06	SHEET 2 OF 2	
APPROVED				