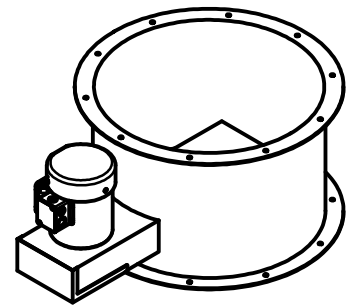
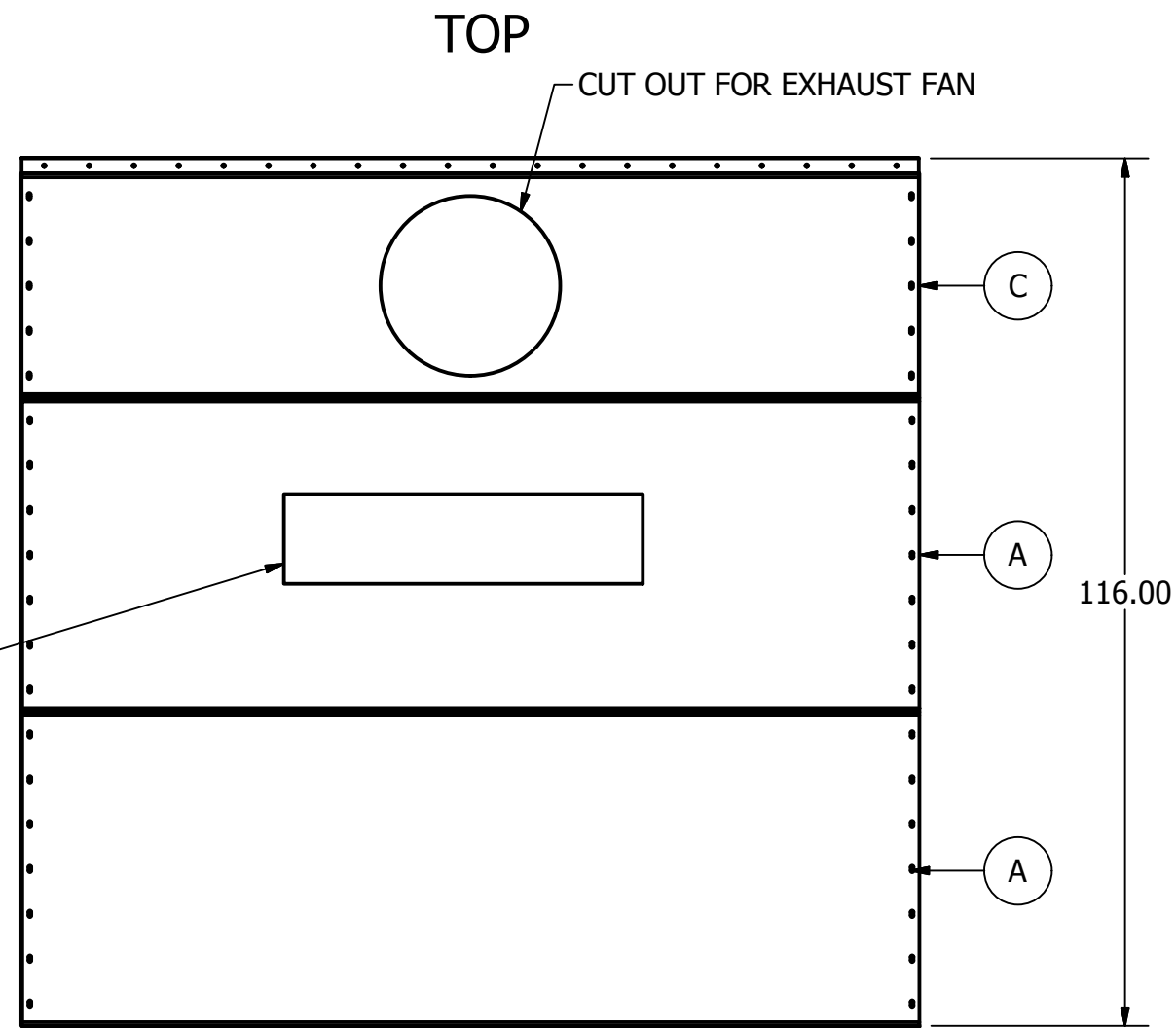
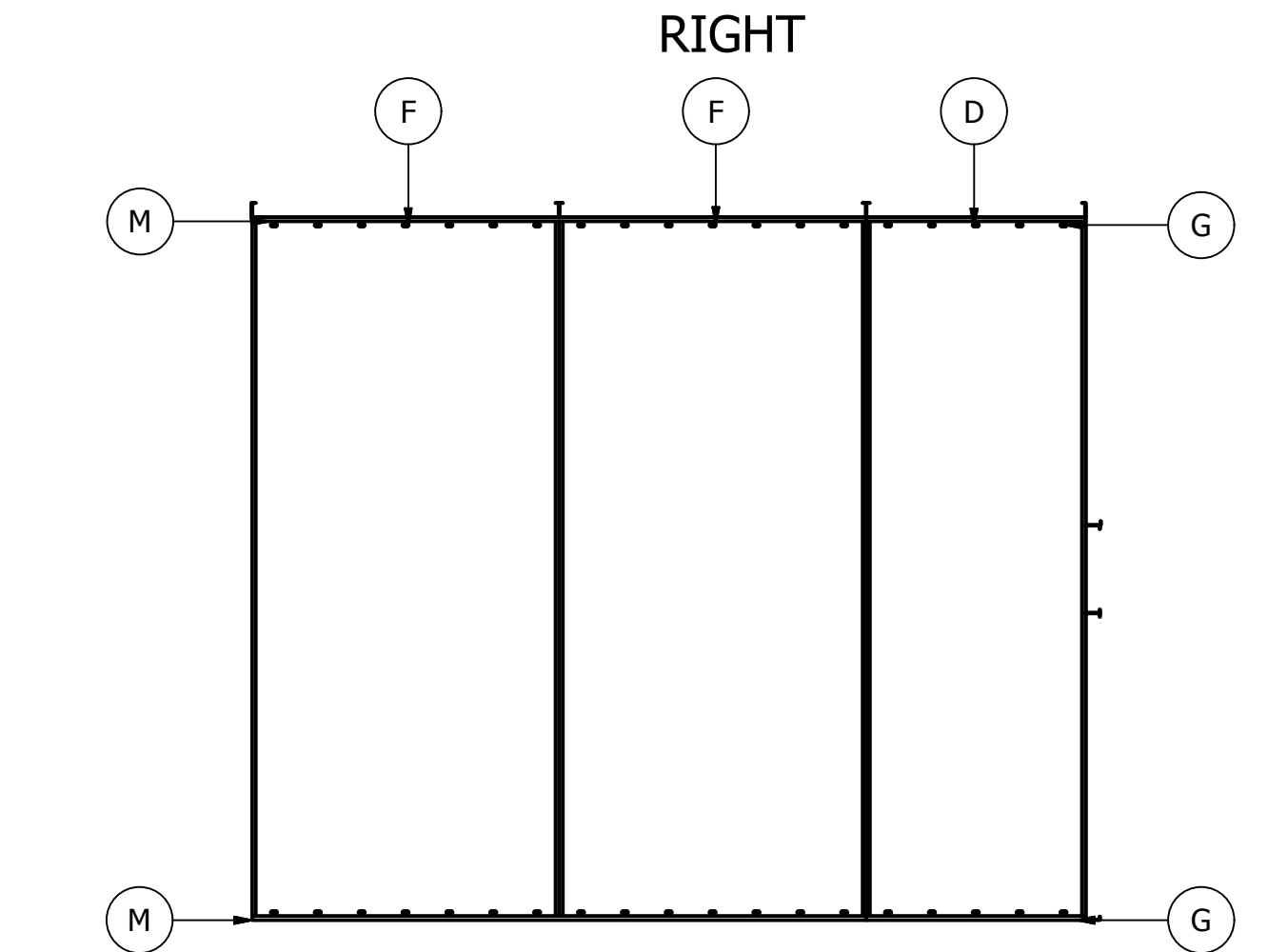
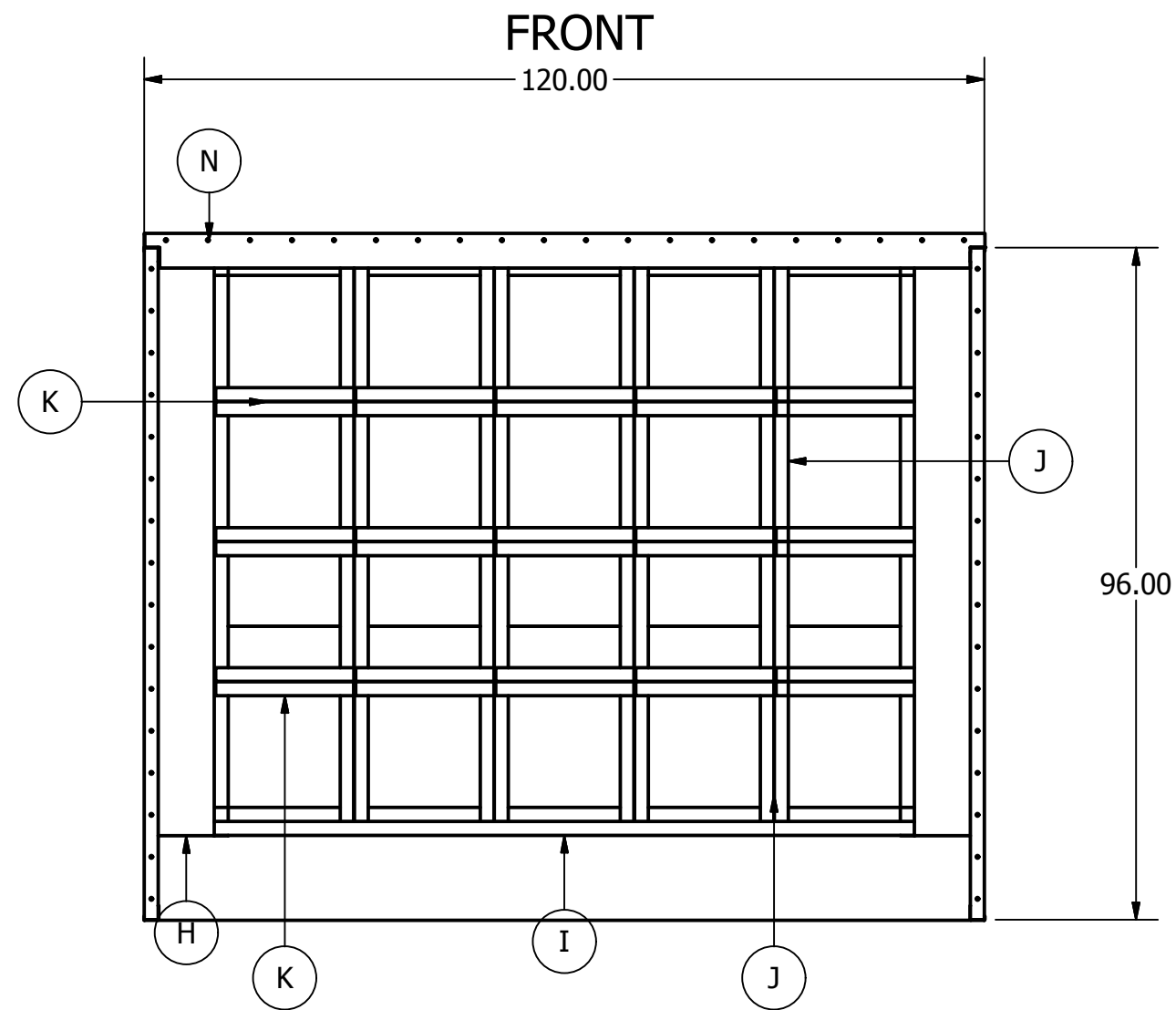


PARTS LIST		
ITEM	QTY	PART NUMBER
A	3	42 X 120
B	1	44 X 120
C	1	30 X 120
D	2	30 X 96
E	1	12 X 120
F	4	42 X 96
G	4	30 TRIM
H	2	VERTICAL PLENUM PANEL
I	2	HORIZONTAL PLENUM PANEL
J	4	79.75 DIVIDER
K	15	19.75 DIVIDER
M	4	84 TRIM
N	1	FIRE GAURD



24" TUBE AXIAL FAN WITH TEFC MOTOR



PLENUM CONSIST OF:

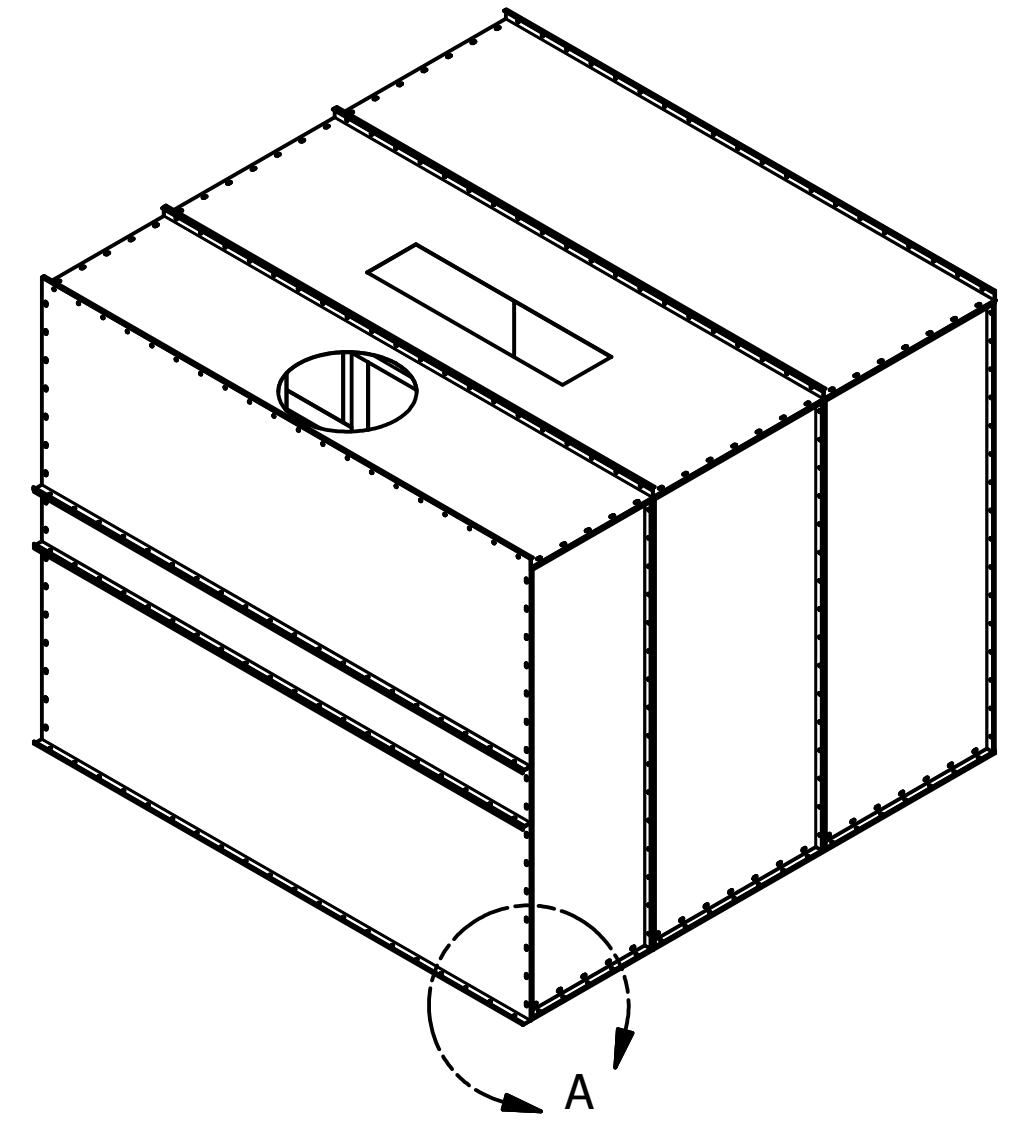
- 2 - HORIZONTAL PLENUM PANELS
- 2 - VERTICAL PLENUM PANELS
- 4 - 79.75 "T" DIVIDERS
- 15 - 19.75 "T" DIVIDERS

FASTEN PLENUM PANELS TO SIDE WALLS USING SELF DRILL SCREWS. FASTEN DIVIDERS TO PLENUM PANELS SPACING 20.00" APART ON CENTER USING SELF DRILLING SCREWS.

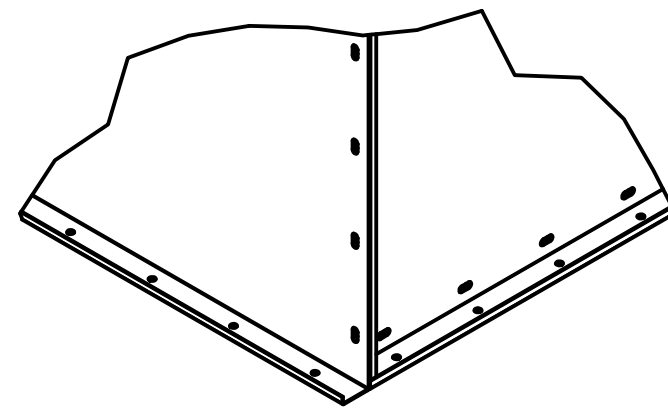
ALL PANELS CONSTRUCTED FROM 16GA G90 GALVANIZED STEEL

DRAWN Tyler Cook	8/4/2013	JC METAL FABRICATION		
CHECKED		TITLE JCOF1087		
QA		SIZE C	DWG NO JCOF1087	REV A
MFG		SCALE .04	SHEET 1 OF 2	
APPROVED				

PARTS LIST		
ITEM	QTY	PART NUMBER
A	3	42 X 120
B	1	44 X 120
C	1	30 X 120
D	2	30 X 96
E	1	12 X 120
F	4	42 X 96
G	4	30 TRIM
H	2	VERTICAL PLENUM PANEL
I	2	HORIZONTAL PLENUM PANEL
J	4	79.75 DIVIDER
K	15	19.75 DIVIDER
M	4	84 TRIM
N	1	FIRE GAURD

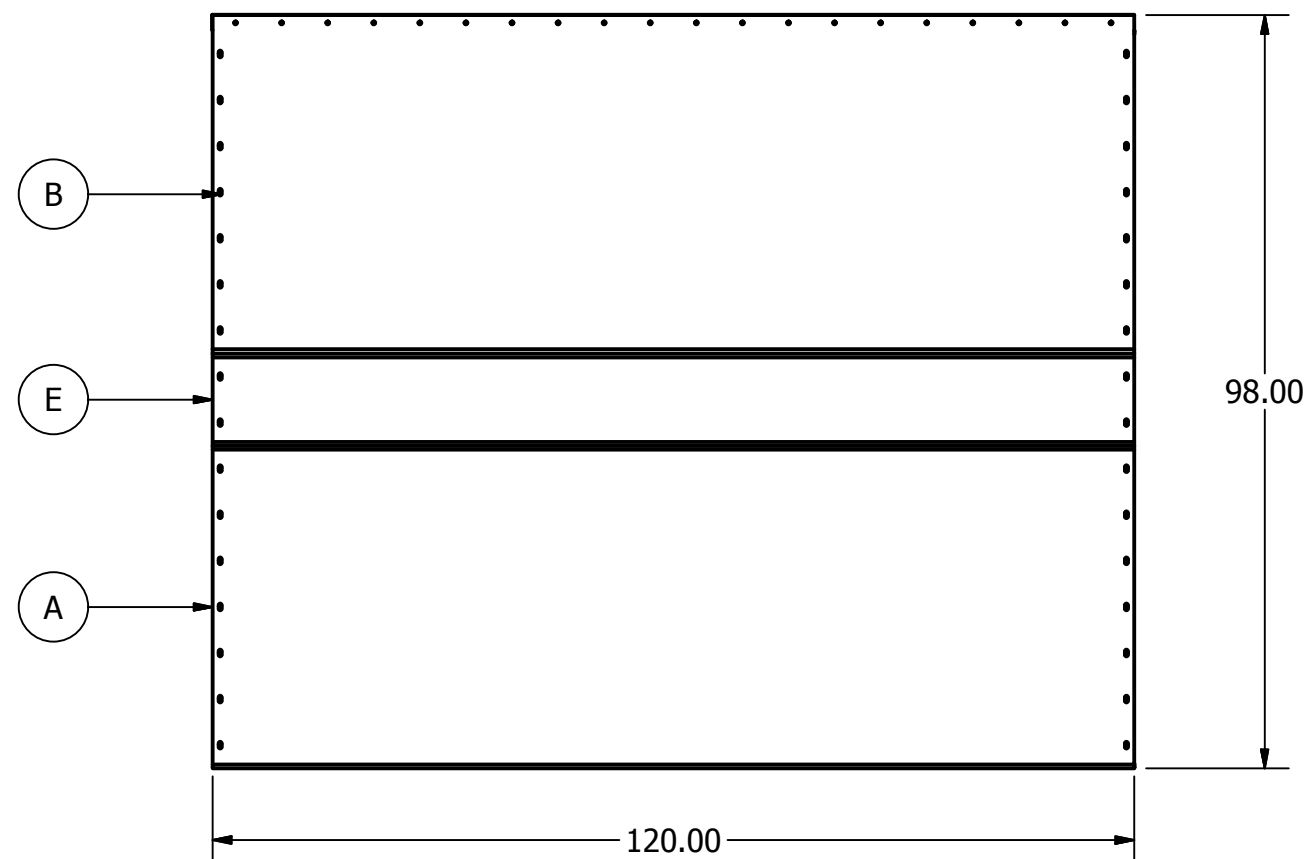


EXAMPLE OF REAR WALL PANELS INTERSECTION

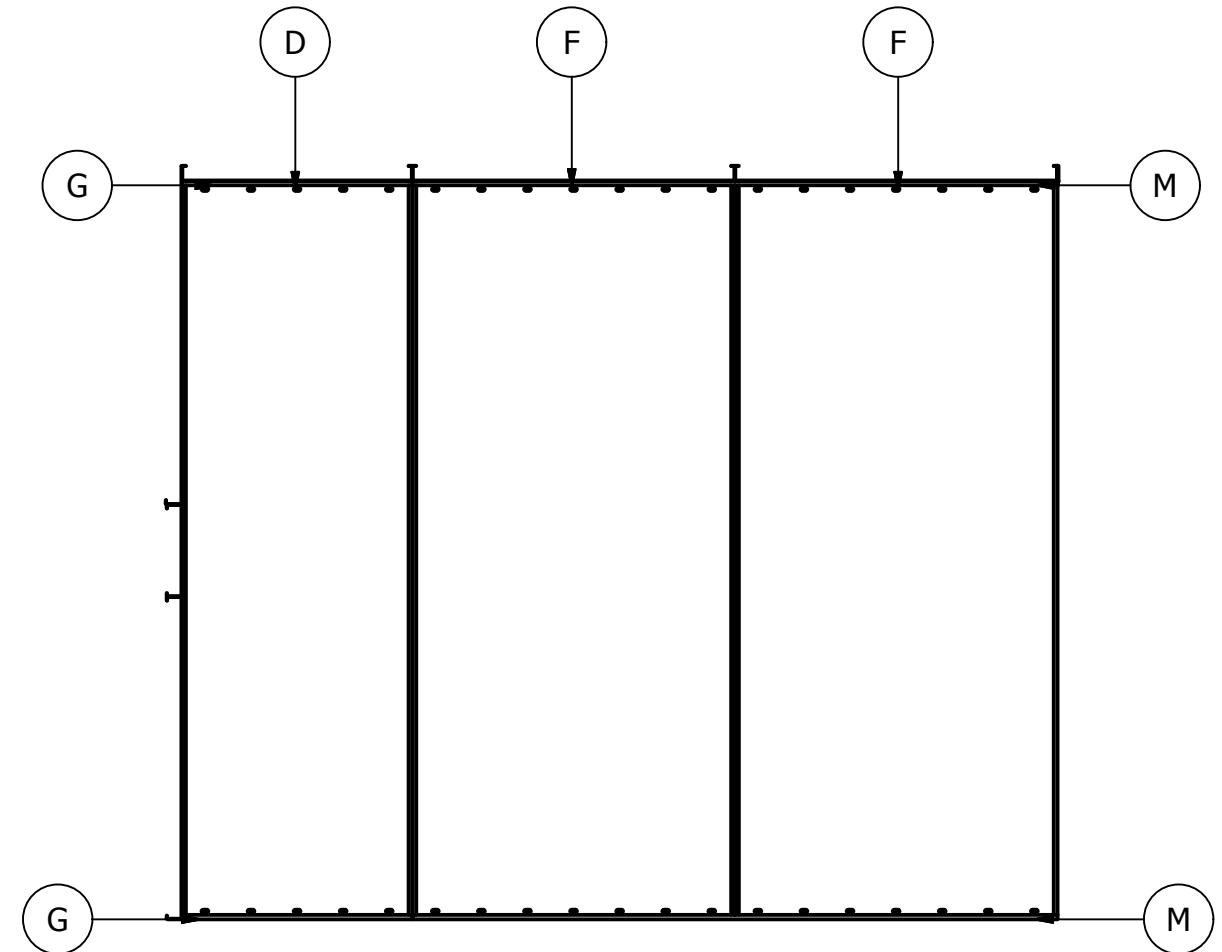


DETAIL A
SCALE .1

REAR



LEFT



DRAWN Tyler Cook	8/4/2013	JC METAL FABRICATION		
CHECKED		TITLE		
QA		JCOF1087		
MFG		SIZE	DWG NO	REV
APPROVED		C	JCOF1087	A
		SCALE	.04	SHEET 2 OF 2

ALL PANELS CONSTRUCTED FROM 16GA G90 GALVANIZED STEEL