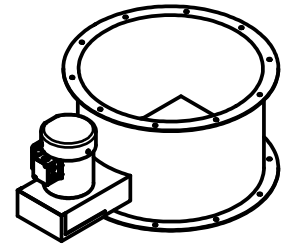
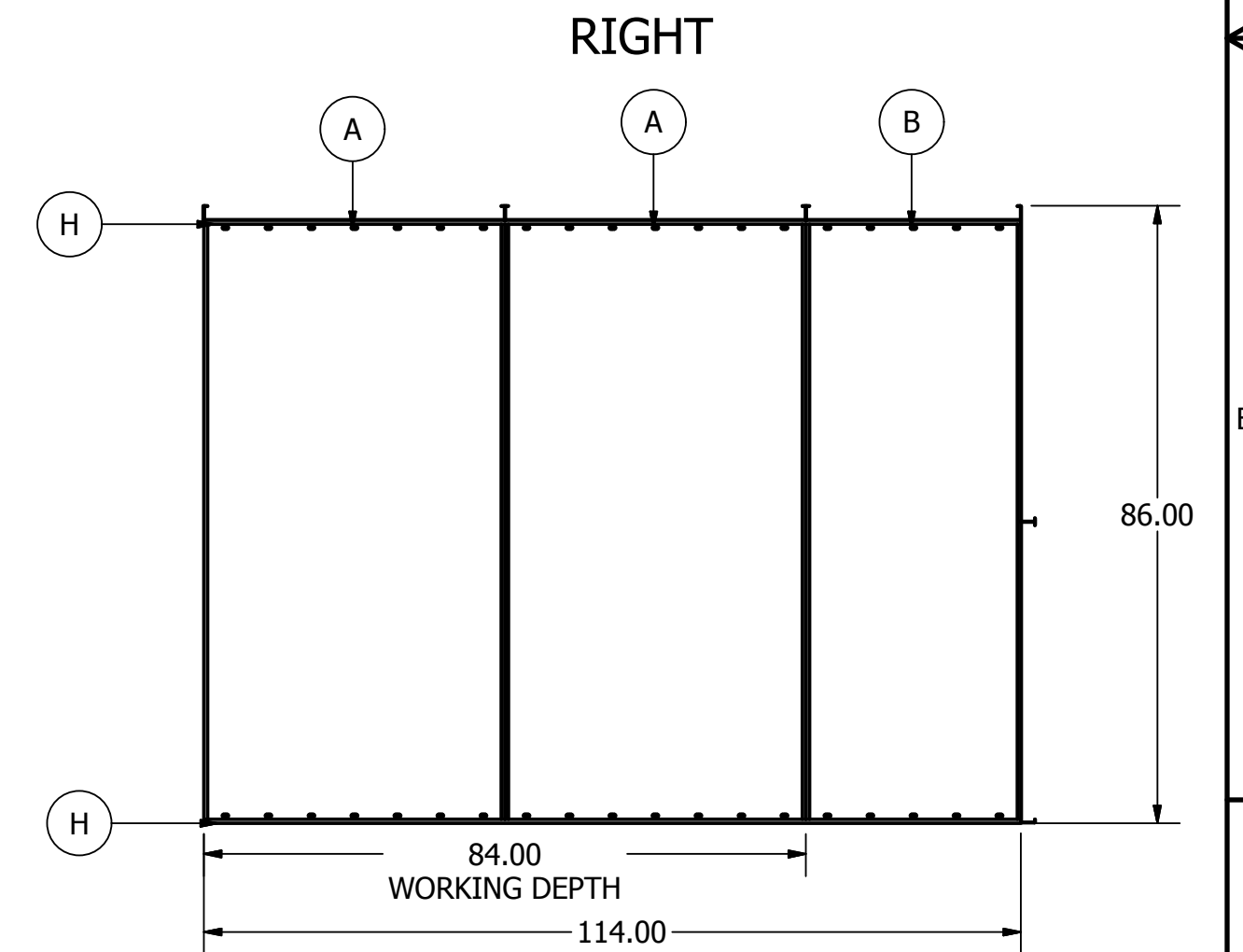
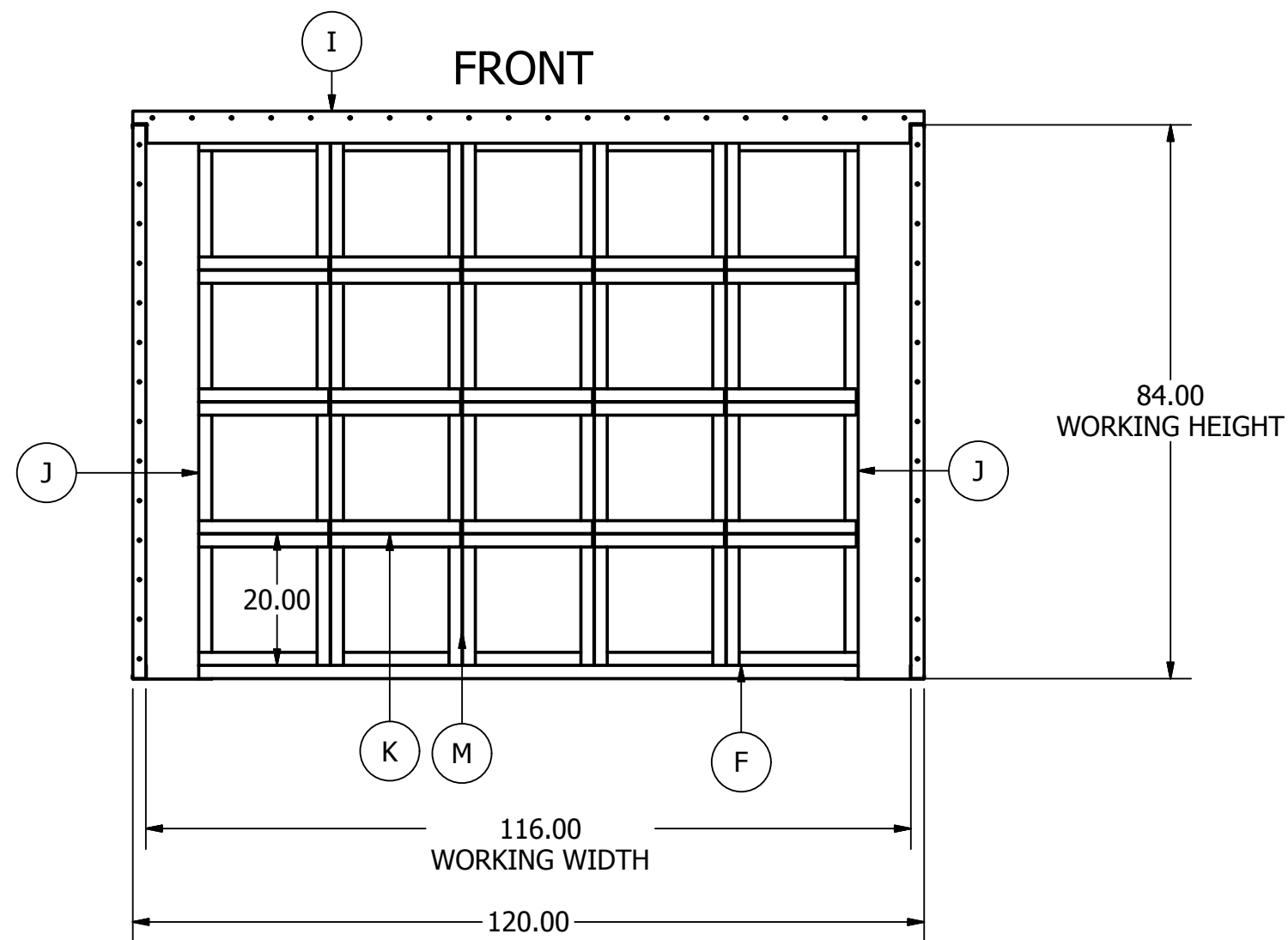
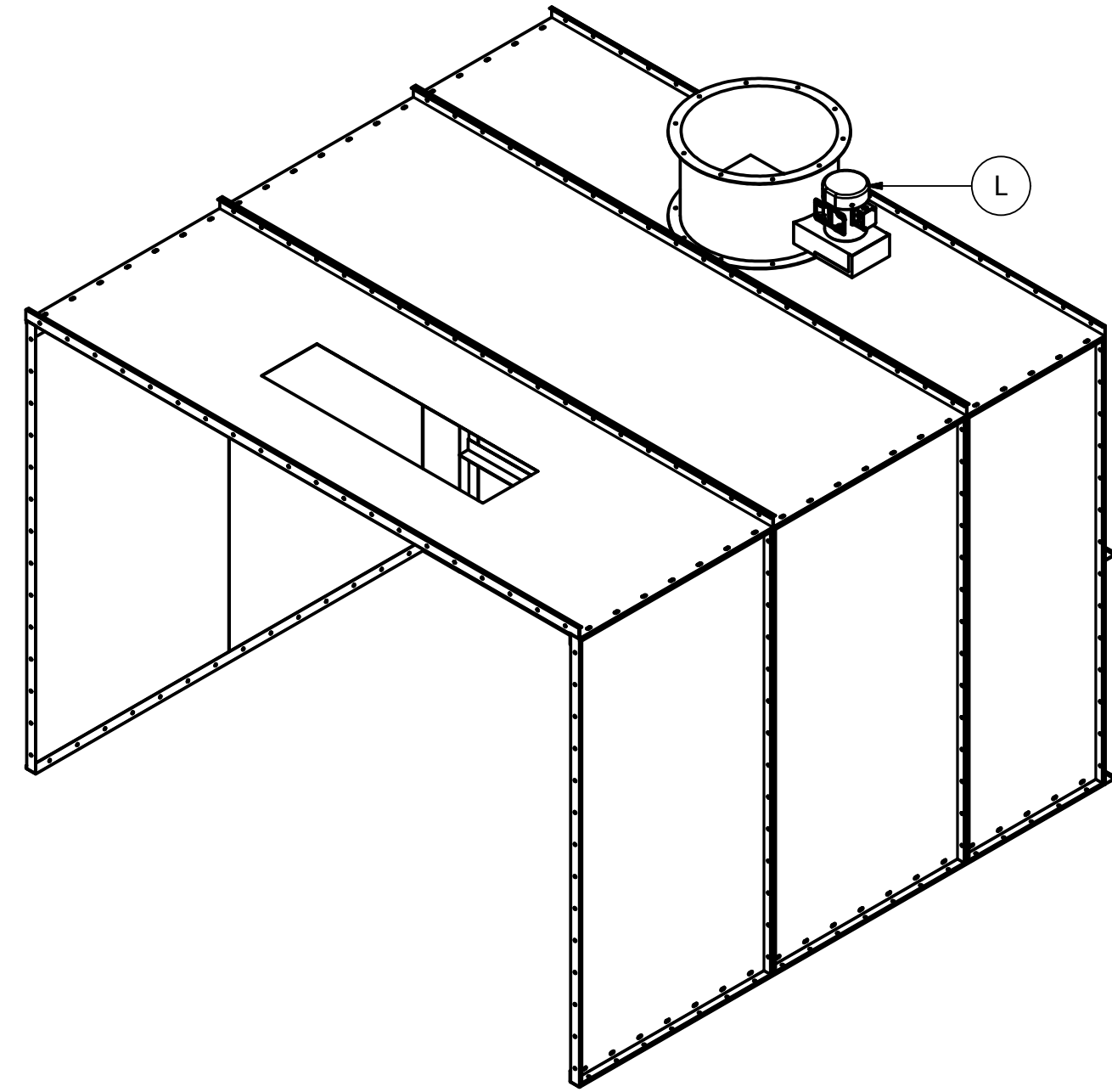
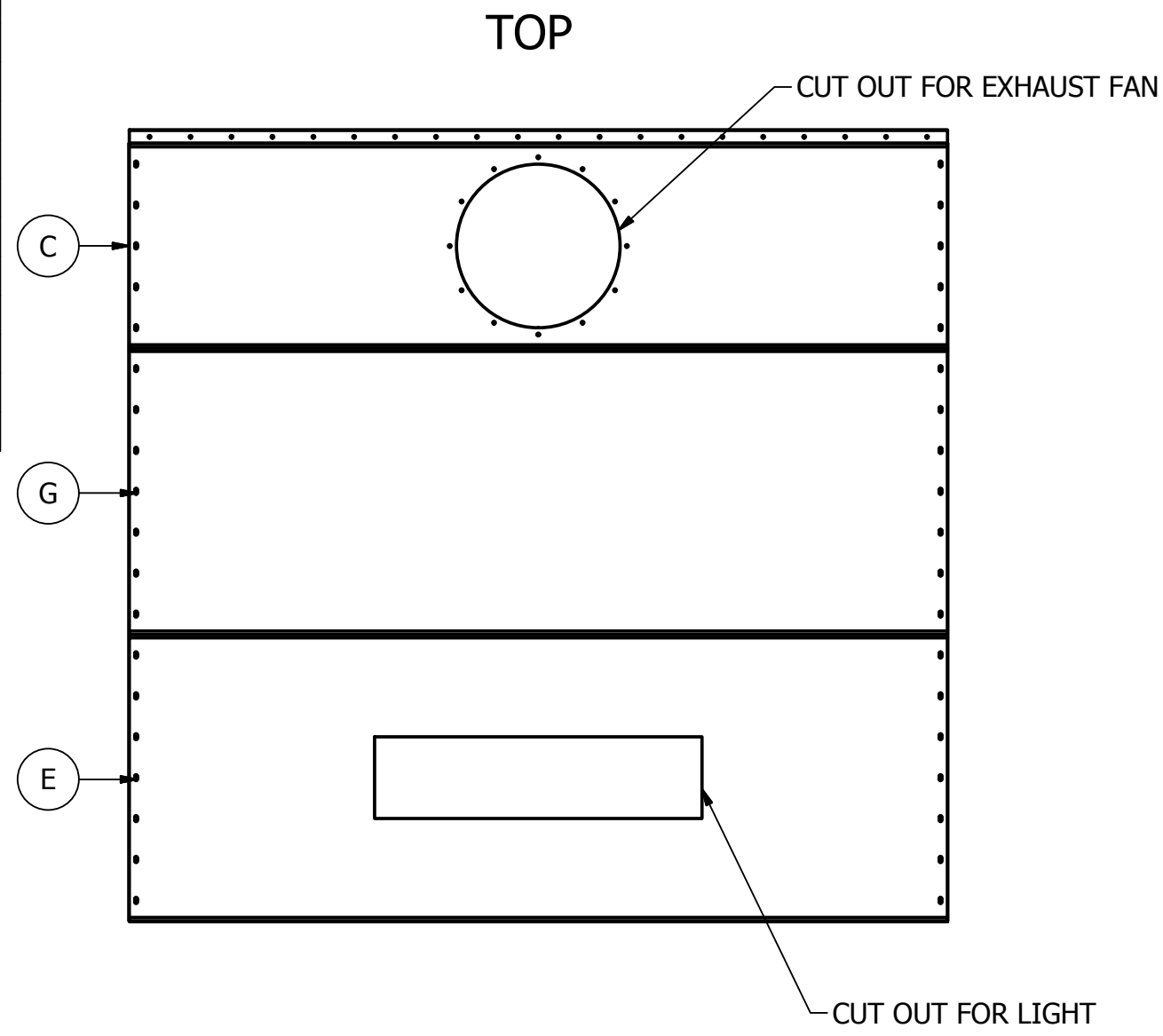


PARTS LIST		
ITEM	QTY	PART NUMBER
A	4	42 X 84
B	2	30 X 84
C	1	30 X 120 FAN
D	1	44 X 120
E	1	42 X 120 LIGHT
F	2	HORIZONTAL PLENUM
G	2	42 X 120
H	4	114 TRIM
I	1	120 FIRE GUARD
J	2	VERTICAL PLENUM
K	15	19.75 DIVIDER
L	1	FAN ASSEMBLY
M	4	79.75 DIVIDER



24" TUBE AXIAL FAN WITH TEFC MOTOR



PLENUM COSIST OF:
 2 - VERTICAL PLENUM PANELS
 2 - HORIZONTAL PLENUM PANELS
 4 - 79.75 "T" DIVIDERS
 15 - 19.75 "T" DIVIDERS

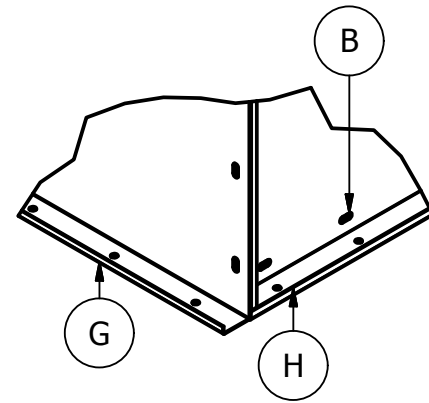
FIRST FASTEN PLENUM PANELS TO SIDE WALLS USING SELF DRILLING SCREWS. FASTEN DIVIDERS TO PLENUM PANELS SPACING 20.00 APART ON CENTER AS SHOWN.

ALL PANELS ARE CONSTRUCTED FROM 16GA G90 GALVANIZED STEEL

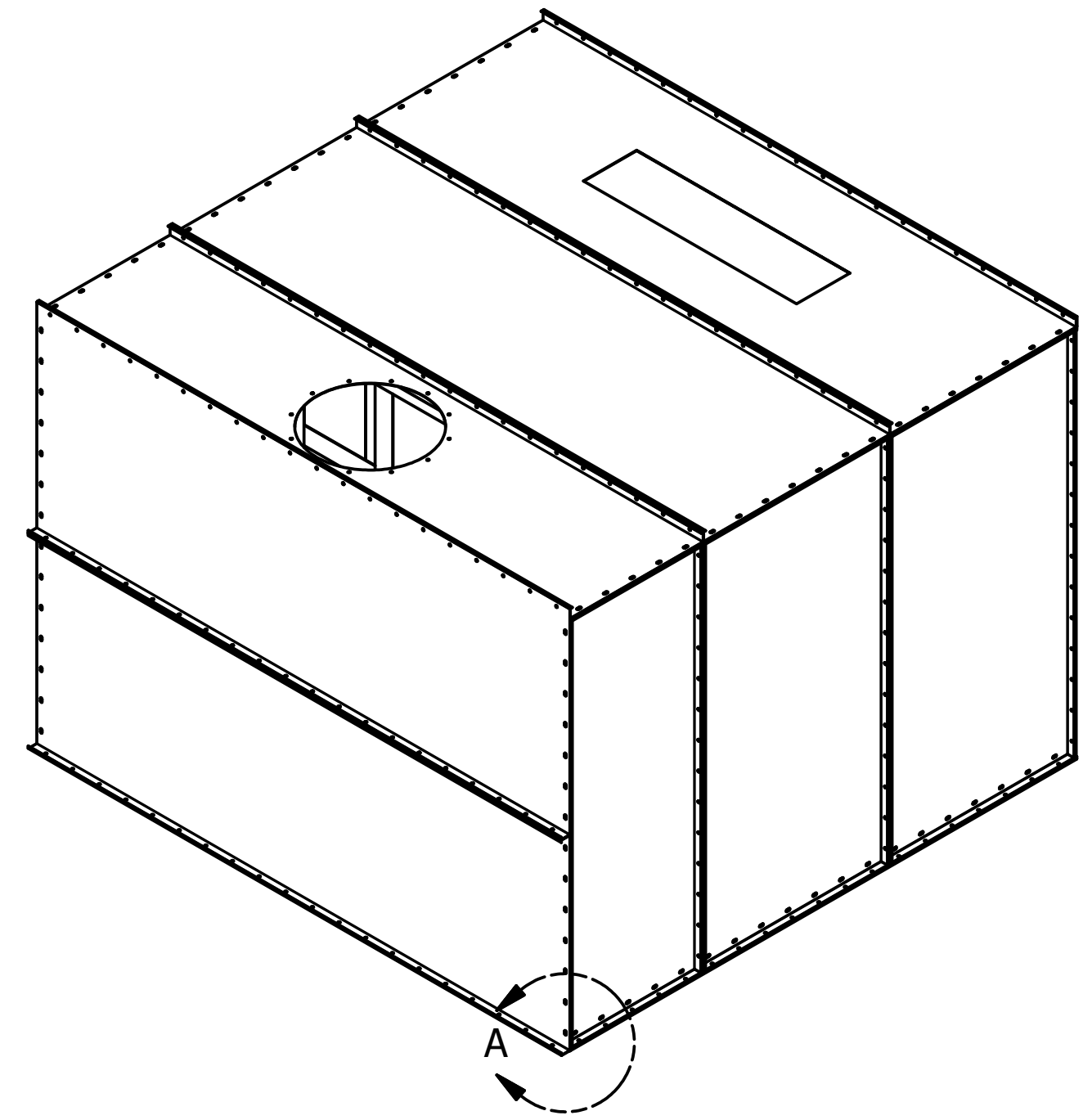
DRAWN Tyler Cook	6/25/2013	JC METAL FABRICATION	
CHECKED		TITLE JCOF1077	
QA		SIZE C	DWG NO JCOF1077
MFG		SCALE .04	REV A
APPROVED		SHEET 1 OF 2	

PARTS LIST		
ITEM	QTY	PART NUMBER
A	4	42 X 84
B	2	30 X 84
C	1	30 X 120 FAN
D	1	44 X 120
E	1	42 X 120 LIGHT
F	2	HORIZONTAL PLENUM
G	2	42 X 120
H	4	114 TRIM
I	1	120 FIRE GUARD
J	2	VERTICAL PLENUM
K	15	19.75 DIVIDER
L	1	FAN ASSEMBLY
M	4	79.75 DIVIDER

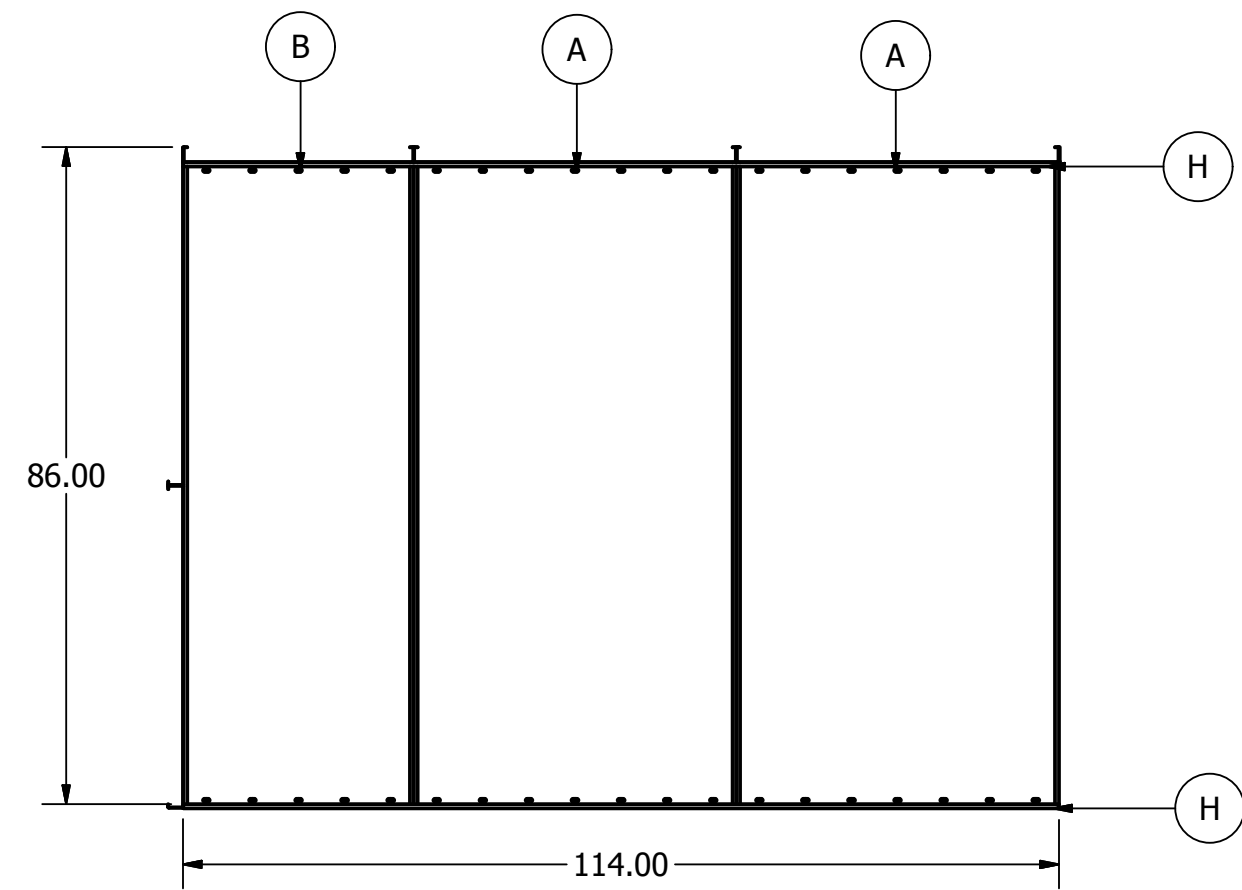
EXAMPLE OF REAR WALL PANELS INTERSECTION



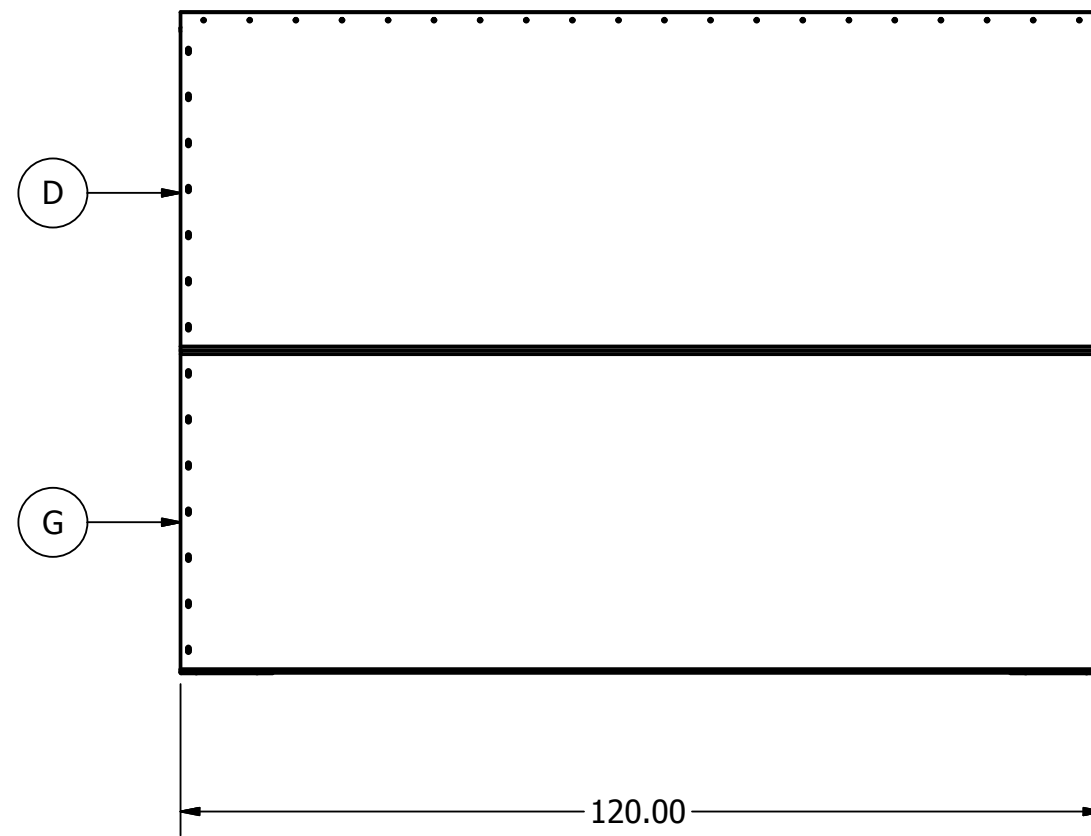
DETAIL A
SCALE .1



LEFT



BACK



PLENUM COSIST OF:
 2 - VERTICAL PLENUM PANELS
 2 - HORIZONTAL PLENUM PANELS
 4 - 79.75 "T" DIVIDERS
 15 - 19.75 "T" DIVIDERS

FIRST FASTEN PLENUM PANELS TO SIDE WALLS USING SELF DRILLING SCREWS. FASTEN DIVIDERS TO PLENUM PANELS SPACING 20.00 APART ON CENTER AS SHOWN.

ALL PANELS ARE CONSTRUCTED FROM 16GA G90 GALVANIZED STEEL

DRAWN Tyler Cook	6/25/2013	JC METAL FABRICATION		
CHECKED		TITLE JCOFNR1077		
QA		SIZE C	DWG NO JCOF1077	REV A
MFG		SCALE .04	SHEET 2 OF 2	
APPROVED				