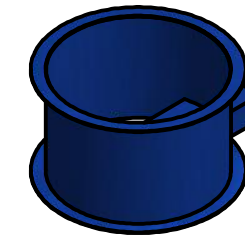
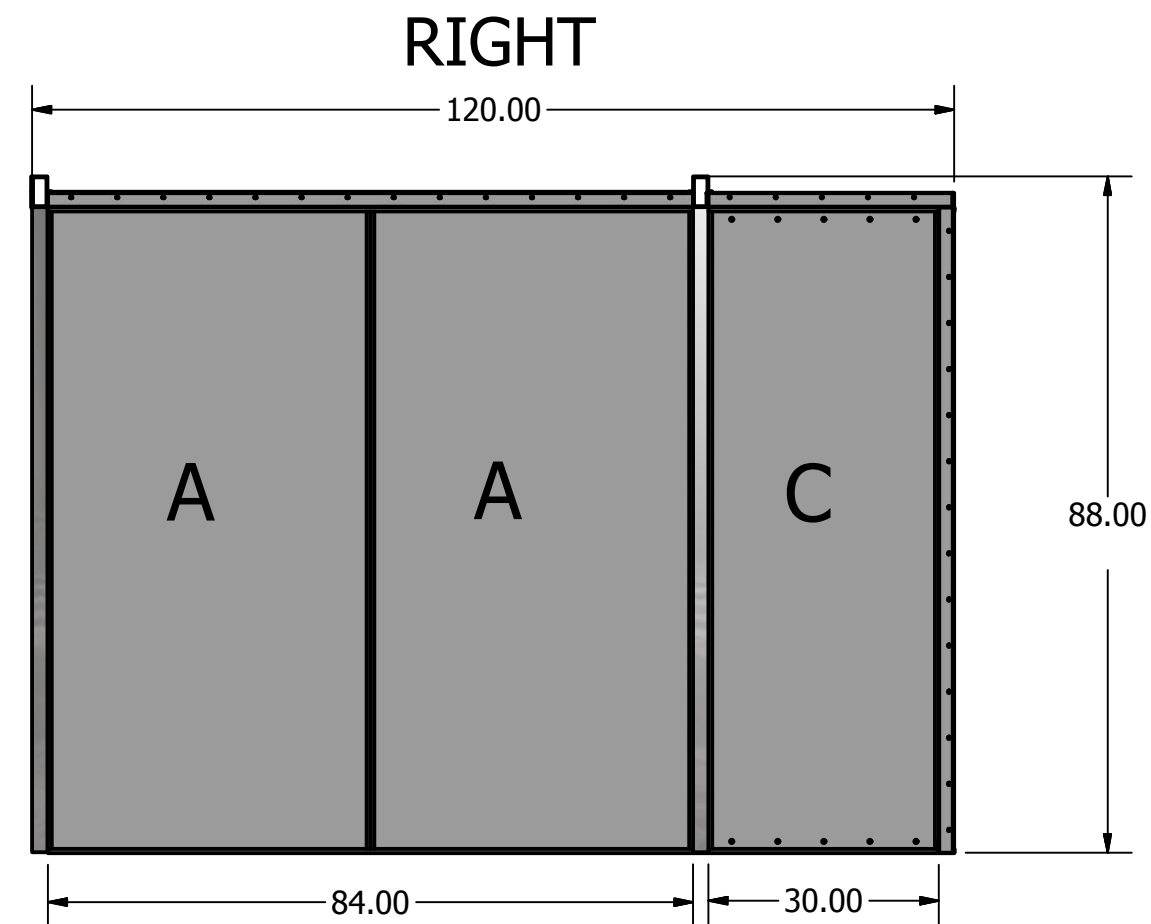
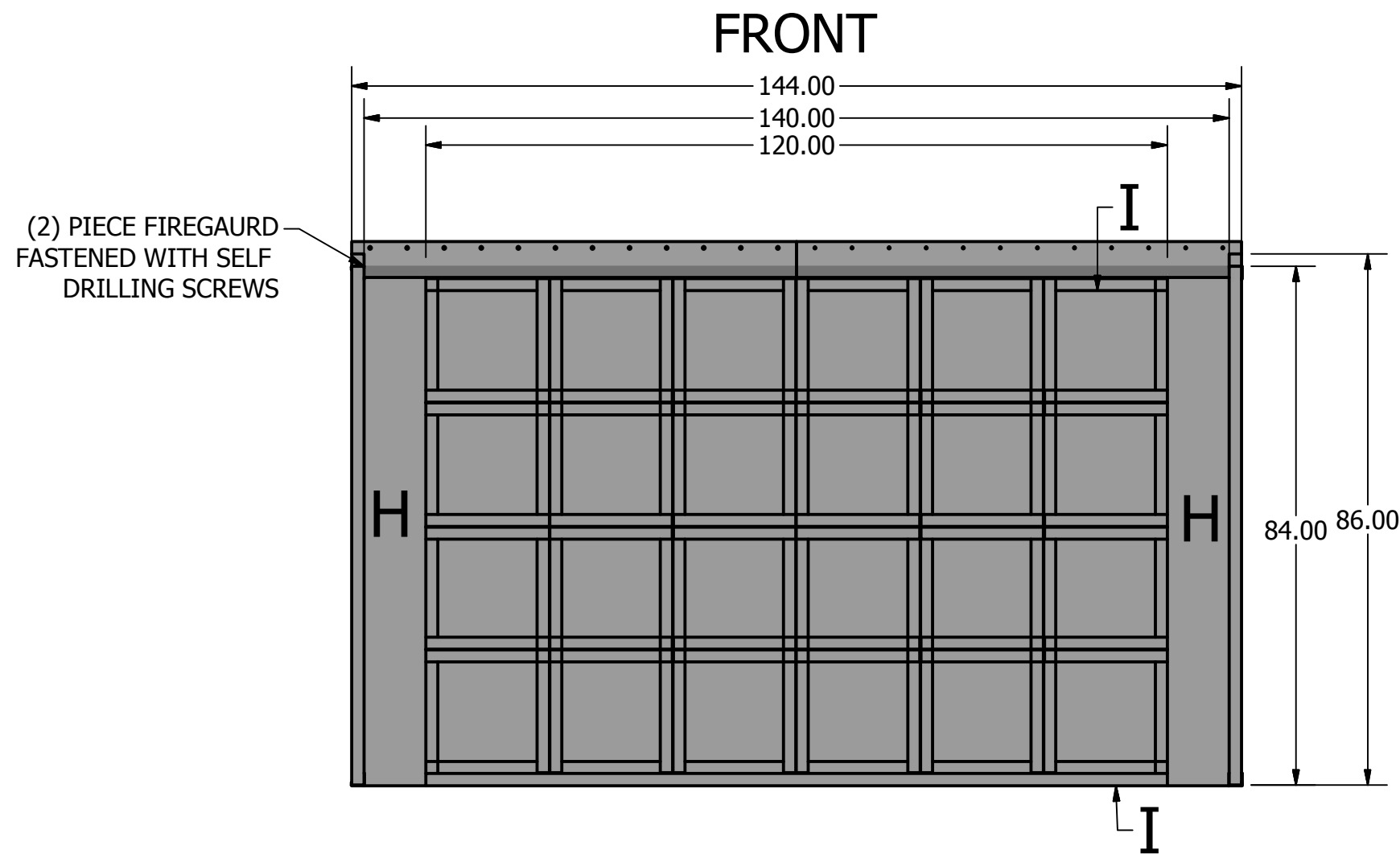


PANEL IDENTIFICATION	
PANEL	SIZE
A	42" X 84"
B	42" X 84" (OPTIONAL LIGHT)
C	30" X 84"
D	9" X 84"
E	9" X 32"
F	42" X 32"
G	42" X 32" WITH EXHAUST CUTOUT
H	VERTICAL PLENUM PANEL
I	HORIZONTAL PLENUM PANEL



24" TUBULAR AXIAL FAN WITH TEFC MOTOR



PLENUM INFORMATION:

- FRONT OF PLENUM IS 30" FROM BACK WALL-

PLENUM CONSISTS OF:
 (2) HORIZONTAL PLENUM PANELS
 (2) VERTICAL PLENUM PANELS
 (5) 80" VERTICAL DIVIDERS
 (18) 20" HORIZONTAL DIVIDERS

- DIVIDERS ARE SPACED EVERY 20" ON CENTER AND FASTENED WITH SELF DIRLLING SCREWS

DRAWN Tyler Cook	11/30/2012	JC METAL FABRICATION		
CHECKED				
QA		SIZE C	DWG NO 12' X 7' X 7' OPEN FACE	REV A
MFG		SCALE	SHEET 1 OF 2	
APPROVED				