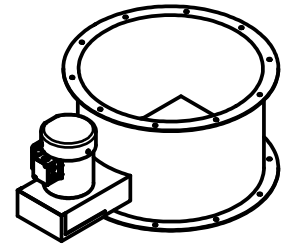
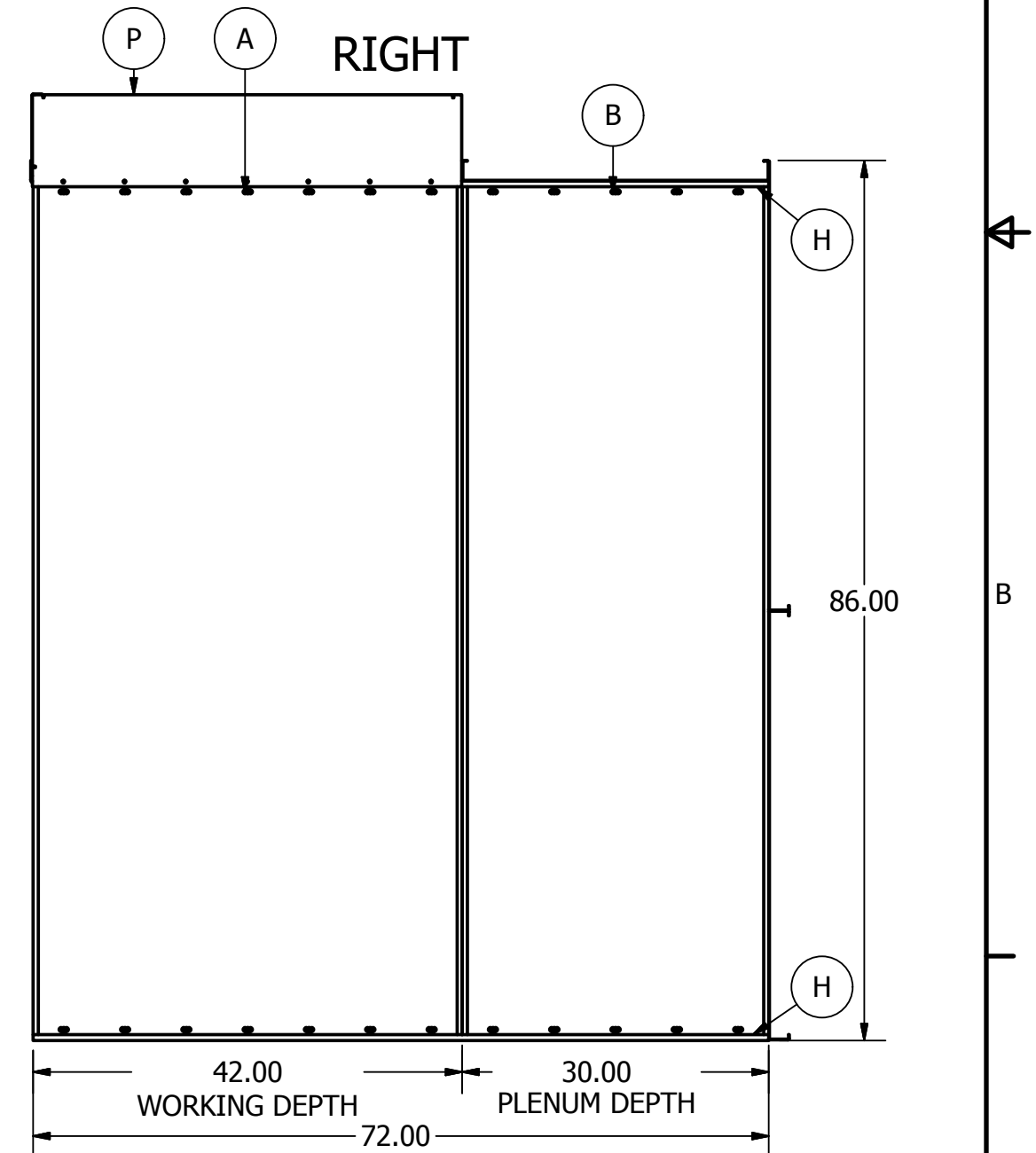
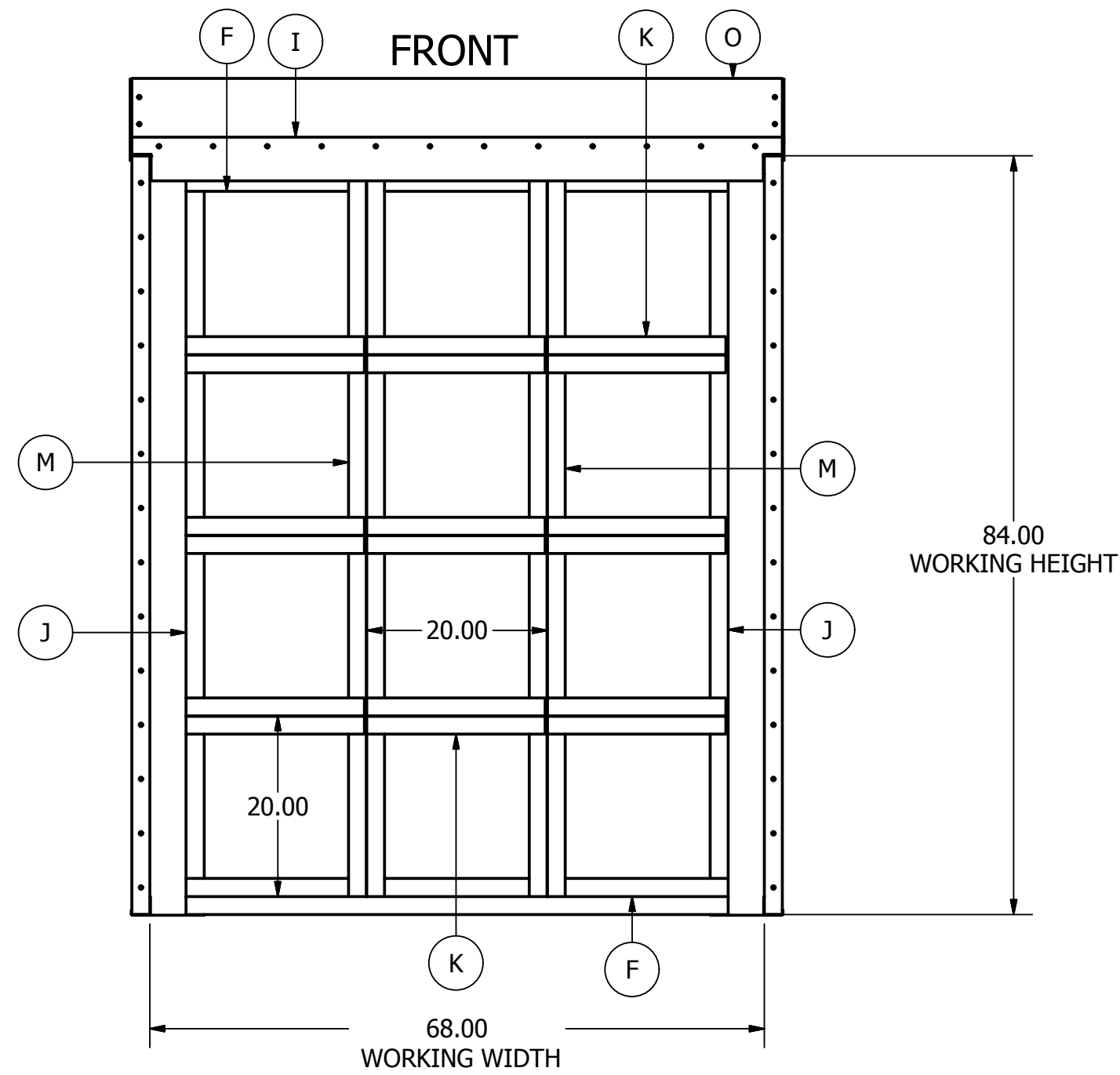
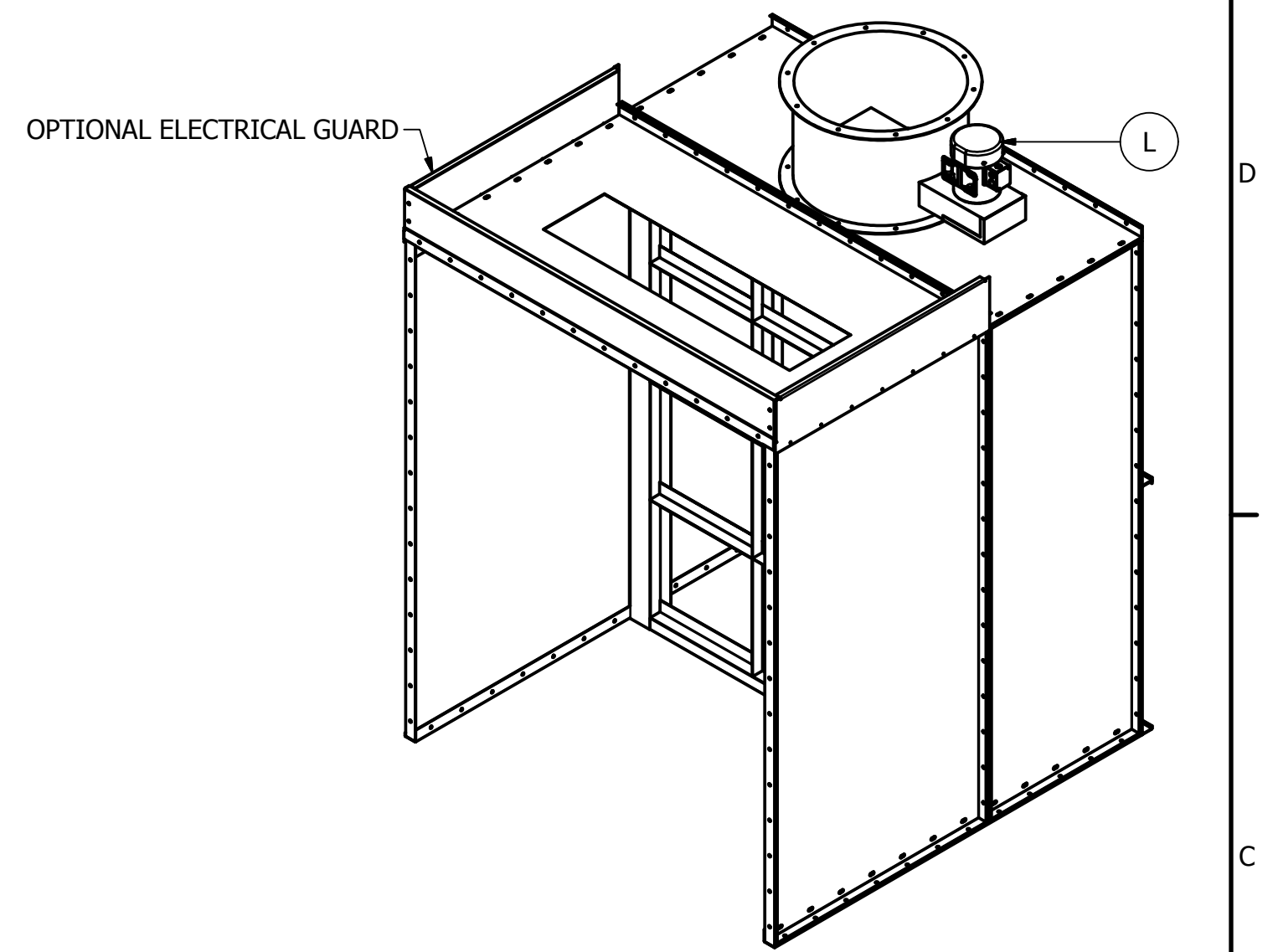
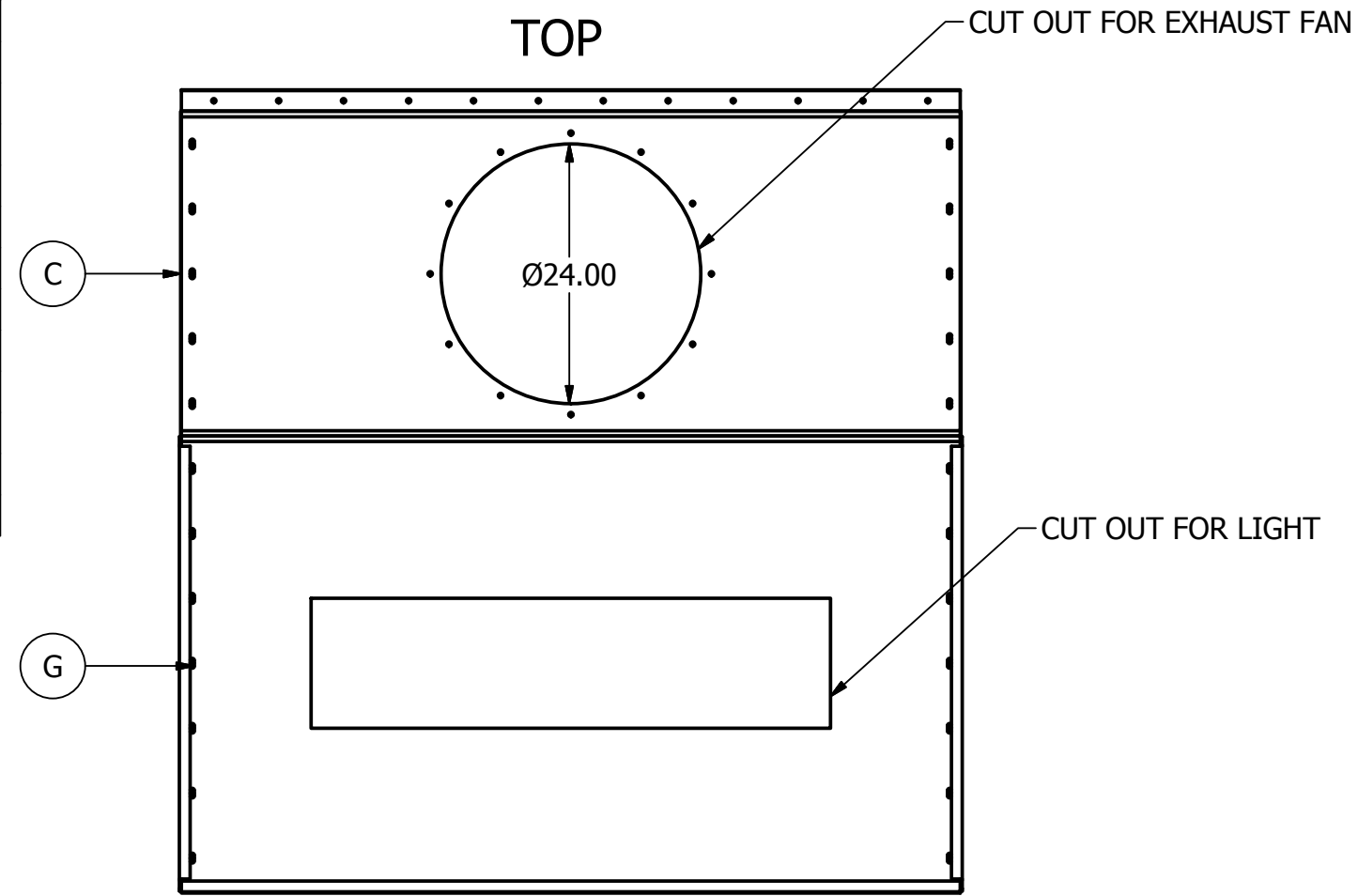


PARTS LIST		
ITEM	QTY	PART NUMBER
A	2	42 X 84
B	2	30 X 84
C	1	30 X 72 FAN
D	1	44 X 72
E	1	42 X 72
F	2	HORIZONTAL PLENUM
G	1	42 X 72 LIGHT
H	4	72 TRIM
I	1	72 FIRE GAURD
J	2	VERTICAL PLENUM
K	9	19.75 DIVIDER
L	1	FAN ASSEMBLY
M	2	79.75 DIVIDER
O	1	FRONT GUARD (OPTIONAL)
P	1	RH GUARD (OPTIONAL)
Q	1	LH GUARD (OPTIONAL)



24" TUBE AXIAL FAN WITH TEFC MOTOR



PLENUM COSIST OF:  
 2 - VERTICAL PLENUM PANELS  
 2 - HORIZONTAL PLENUM PANELS  
 2 - 79.75 "T" DIVIDERS  
 9 - 19.75 "T" DIVIDERS

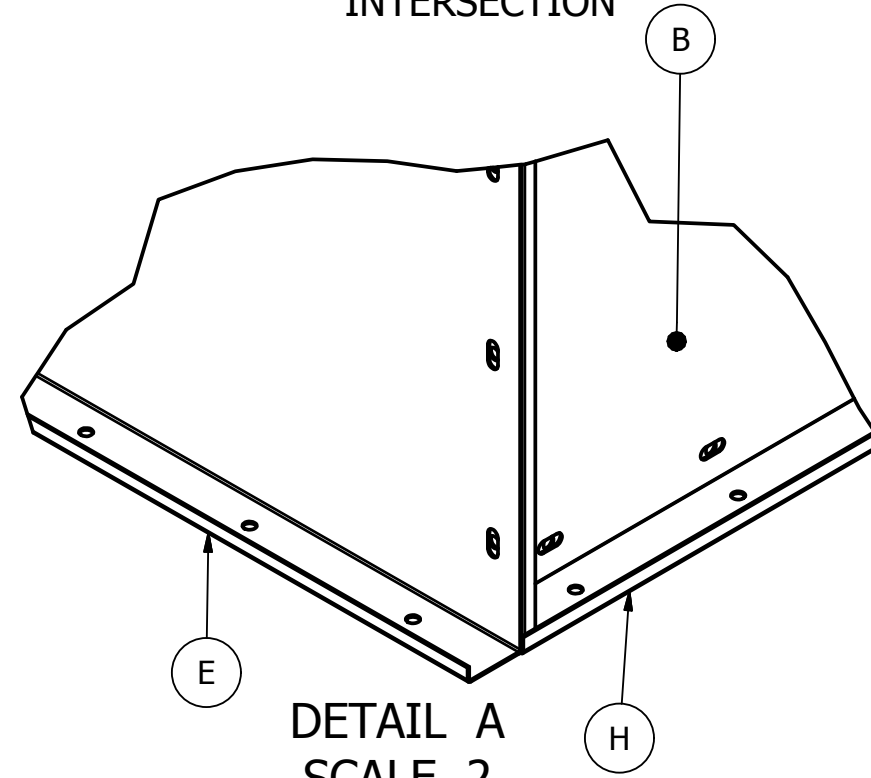
FIRST FASTEN PLENUM PANELS TO SIDE WALLS USING SELF DRILLING SCREWS. FASTEN DIVIDERS TO PLENUM PANELS SPACING 20.00 APART ON CENTER AS SHOWN.

ALL PANELS ARE CONSTRUCTED FROM 18GA G90 GALVANIZED STEEL

DRAWN Tyler Cook	1/13/2015	<b>JC METAL FABRICATION</b>	
CHECKED		TITLE JCOF6	
QA		SIZE C	DWG NO JCOF6
MFG		SCALE .06	REV A
APPROVED		SHEET 1 OF 2	

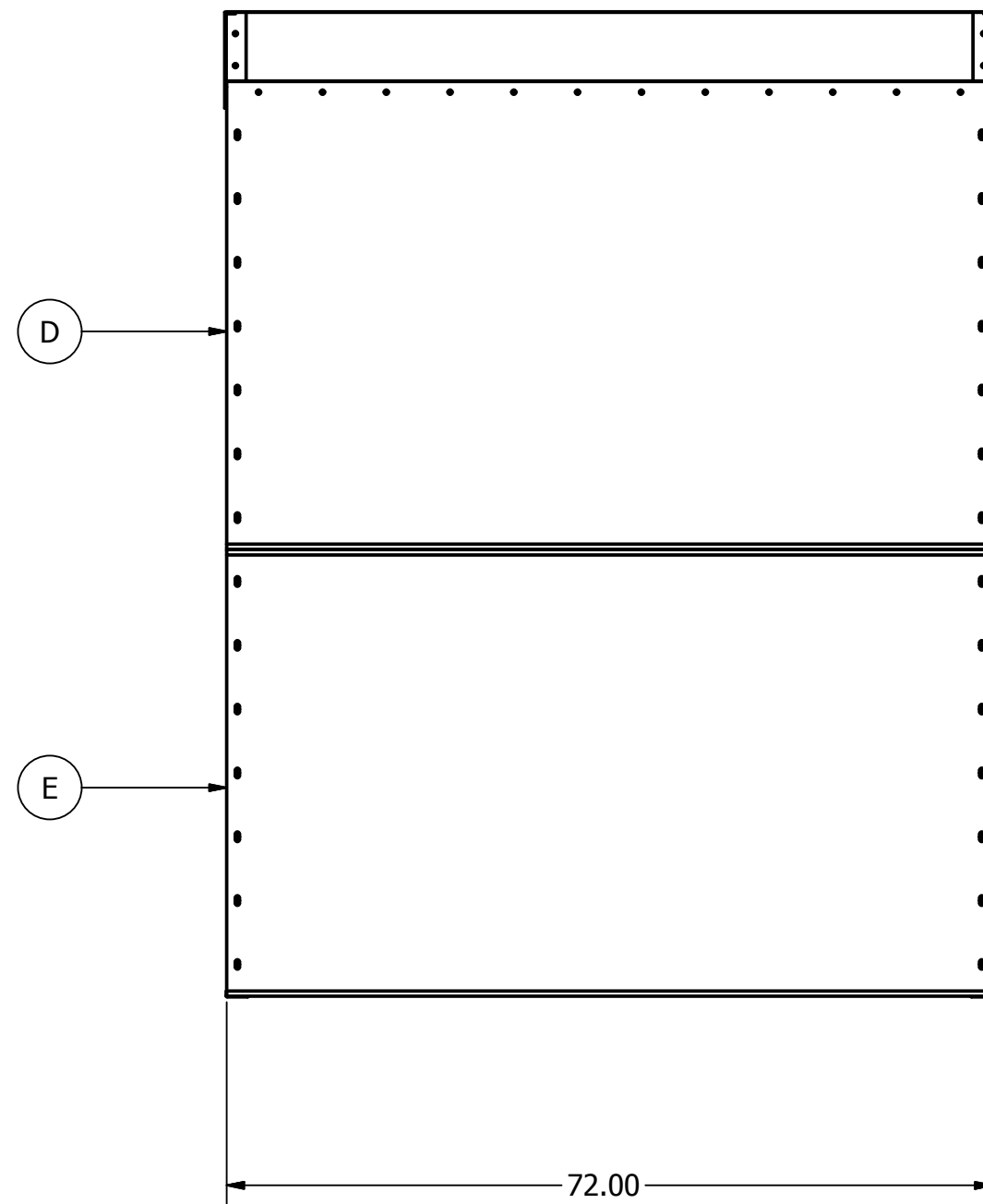
PARTS LIST		
ITEM	QTY	PART NUMBER
A	2	42 X 84
B	2	30 X 84
C	1	30 X 72 FAN
D	1	44 X 72
E	1	42 X 72
F	2	HORIZONTAL PLENUM
G	1	42 X 72 LIGHT
H	4	72 TRIM
I	1	72 FIRE GAURD
J	2	VERTICAL PLENUM
K	9	19.75 DIVIDER
L	1	FAN ASSEMBLY
M	2	79.75 DIVIDER
O	1	FRONT GUARD (OPTIONAL)
P	1	RH GUARD (OPTIONAL)
Q	1	LH GUARD (OPTIONAL)

EXAMPLE OF REAR WALL PANELS INTERSECTION



DETAIL A  
SCALE .2

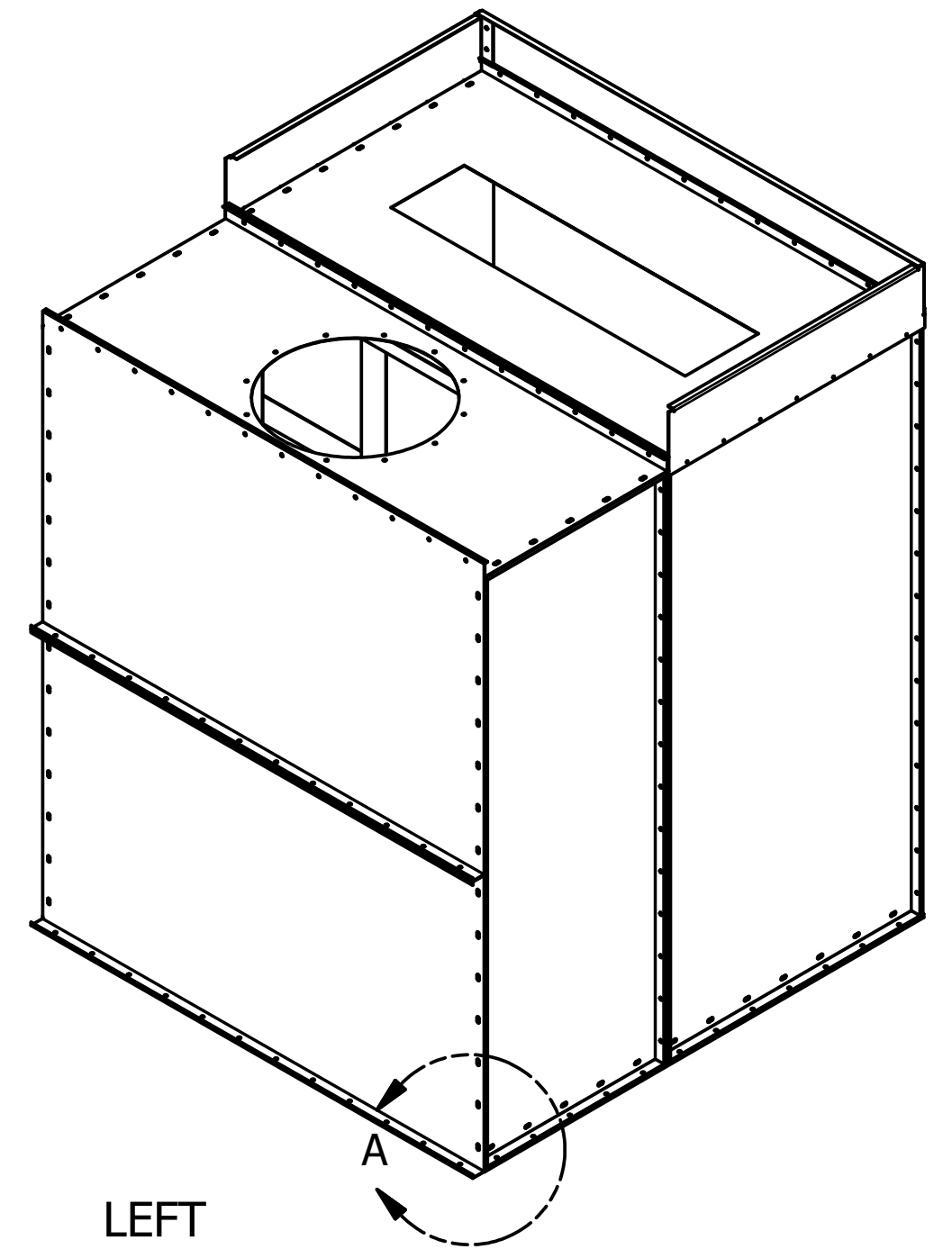
BACK



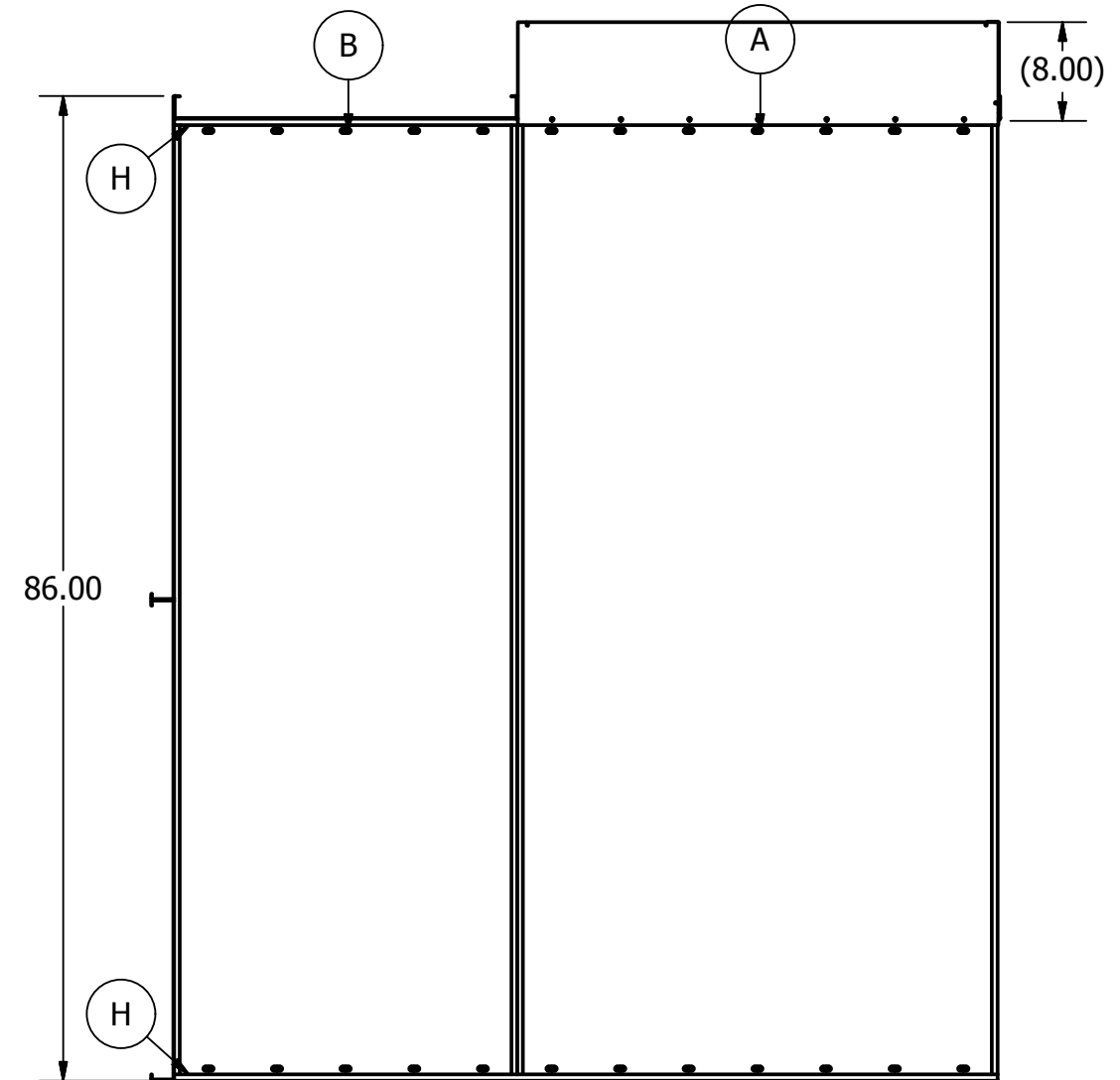
PLENUM COSIST OF:  
 2 - VERTICAL PLENUM PANELS  
 2 - HORIZONTAL PLENUM PANELS  
 2 - 79.75 "T" DIVIDERS  
 9 - 19.75 "T" DIVIDERS

FIRST FASTEN PLENUM PANELS TO SIDE WALLS USING SELF DRILLING SCREWS. FASTEN DIVIDERS TO PLENUM PANELS SPACING 20.00 APART ON CENTER AS SHOWN.

ALL PANELS ARE CONSTRUCTED FROM 16GA G90 GALVANIZED STEEL



LEFT



DRAWN Tyler Cook	1/13/2015	JC METAL FABRICATION		
CHECKED		TITLE JCOF6		
QA		SIZE C	DWG NO JCOF6	REV A
MFG		SCALE .06	SHEET 2 OF 2	
APPROVED				