

PARTS LIST		
ITEM	QTY	PART NUMBER
A	4	42 TRIM
B	2	42 X 36
C	1	42 X 48 FAN
D	1	42 X 48
E	2	VERTICAL PLENUM
F	1	40 X 48
G	2	HORIZONTAL PLENUM
H	1	19.75 DIVIDER
I	1	48 FIREGUARD

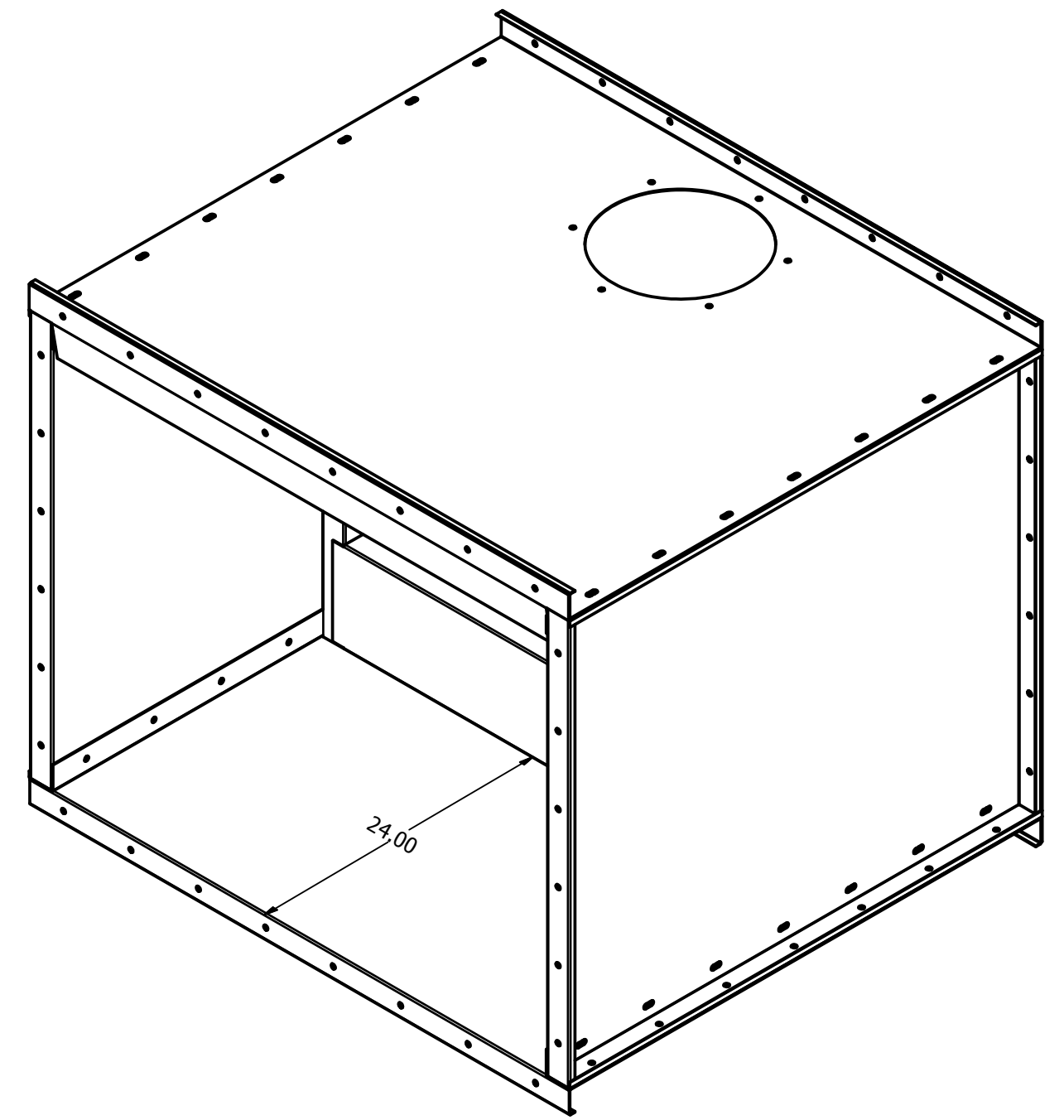
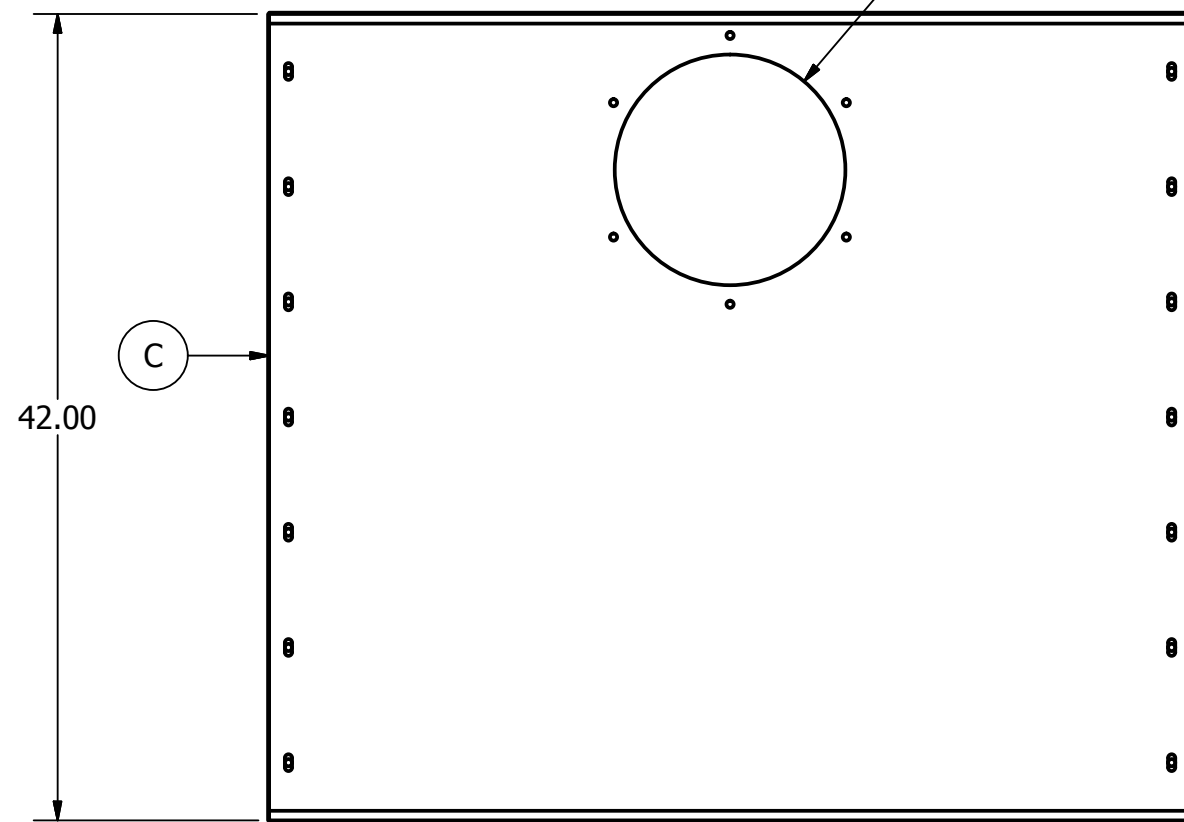
D

C

B

A

TOP

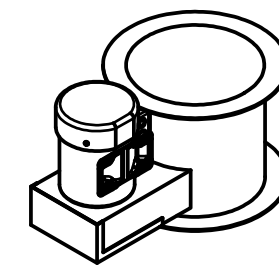
EXHAUST CUT OUT
FOR 12" TUBE AXIAL FAN

D

C

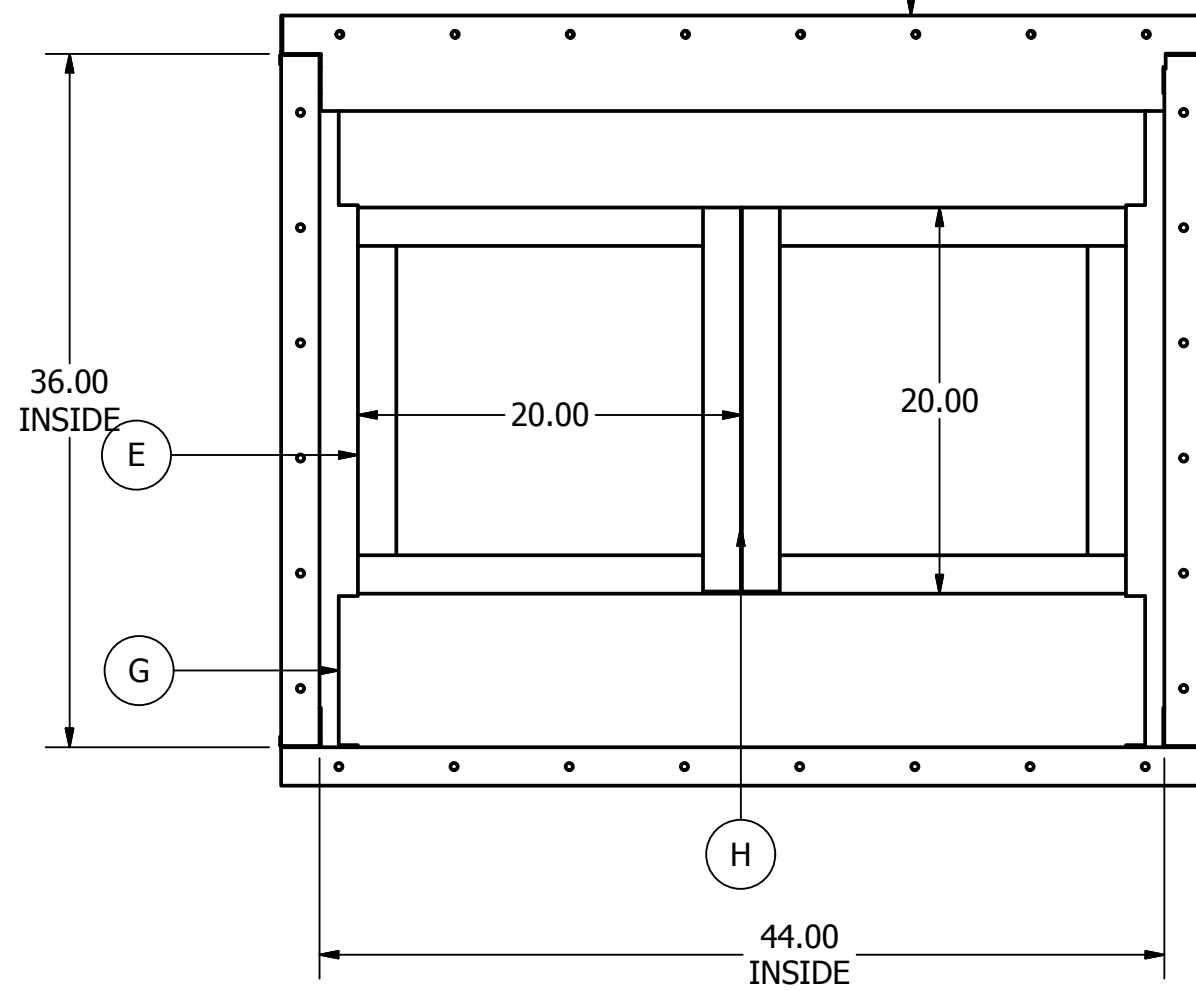
B

A

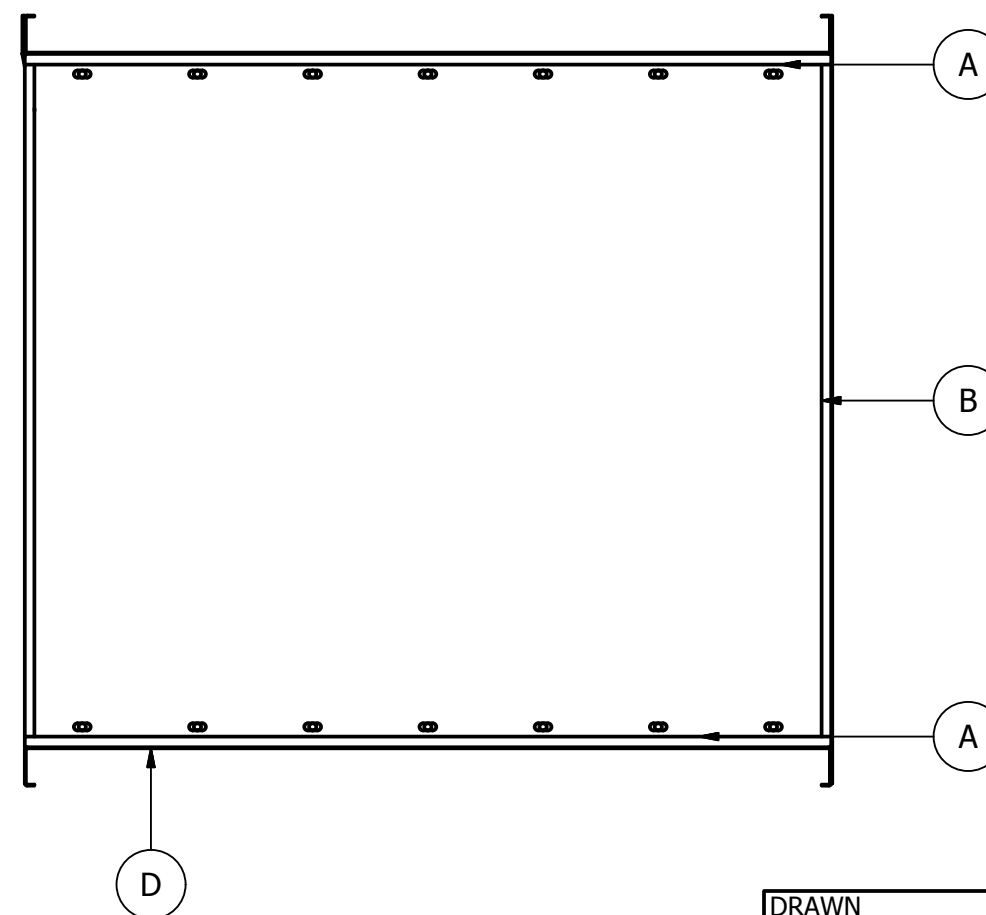
12" TUBE AXIAL FAN
WITH TEFC MOTOR

FRONT

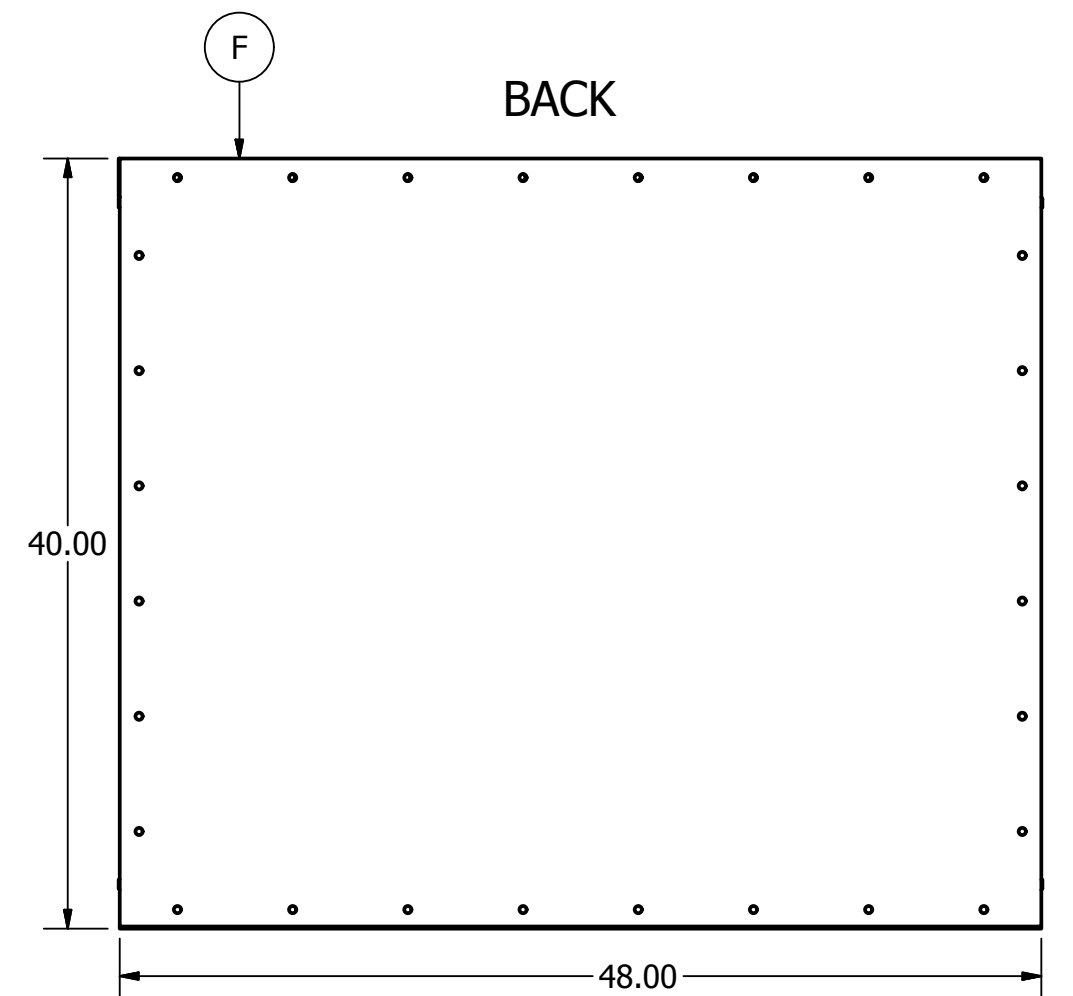
I



RIGHT



BACK



PLENUM COSISTS OF:
 2 - HORIZONTAL PLENUM PANELS
 2 - VERTICAL PLENUM PANELS
 1 - 19.75 "T" DIVIDER

FASTEN PLENUM PANELS TO SIDE WALLS USING SELF DRILLING
 SCREWS. FRONT OF PLENUM IS 18.00" FROM REAR WALL. SPACE
 "T" DIVIDER 20" ON CENTER AS SHOWN.

DRAWN Tyler Cook	3/14/2013	JC METAL FABRICATION		
CHECKED		TITLE		
QA		4' TABLE TOP BOOTH		
MFG		SIZE C	DWG NO	REV A
APPROVED		SCALE 1:10	TABLE TOP	
			SHEET 1 OF 1	

4

3

2

1

4