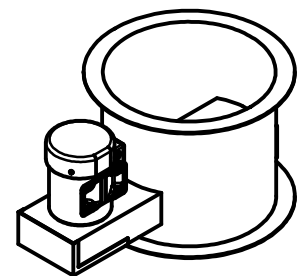
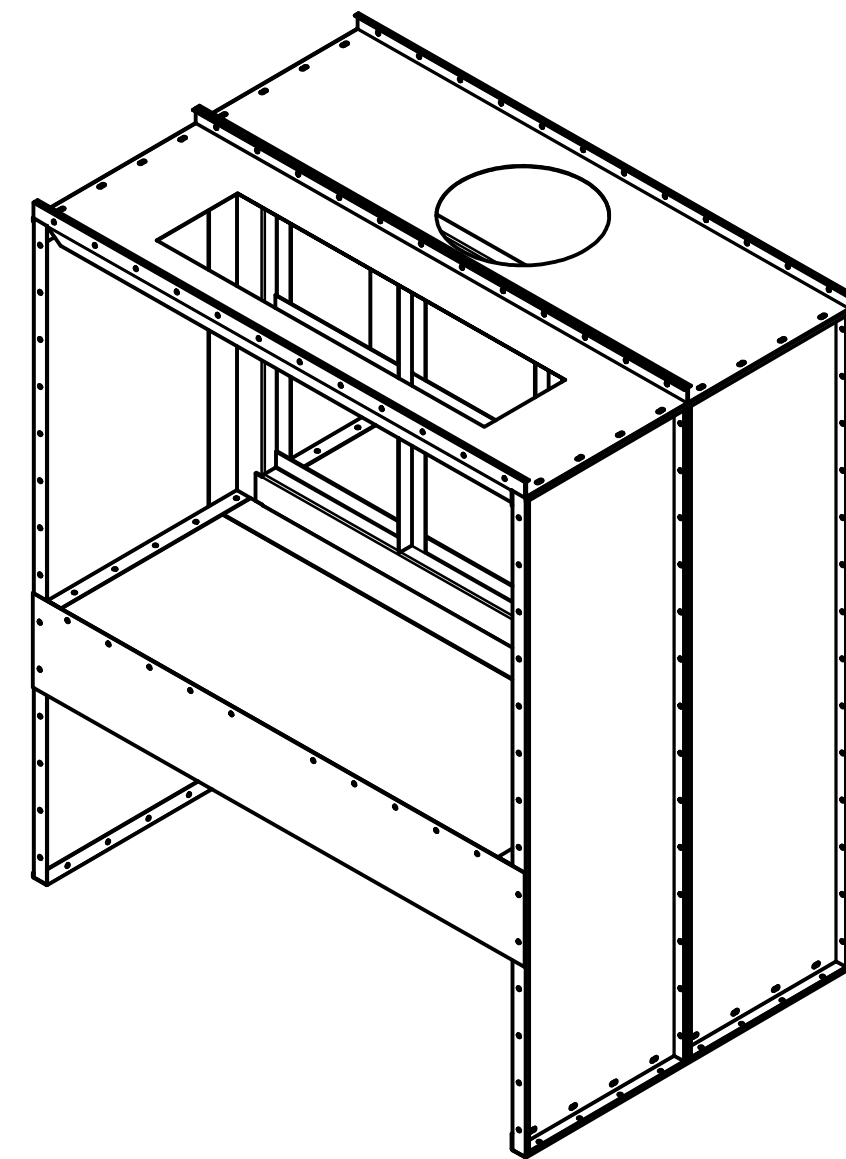
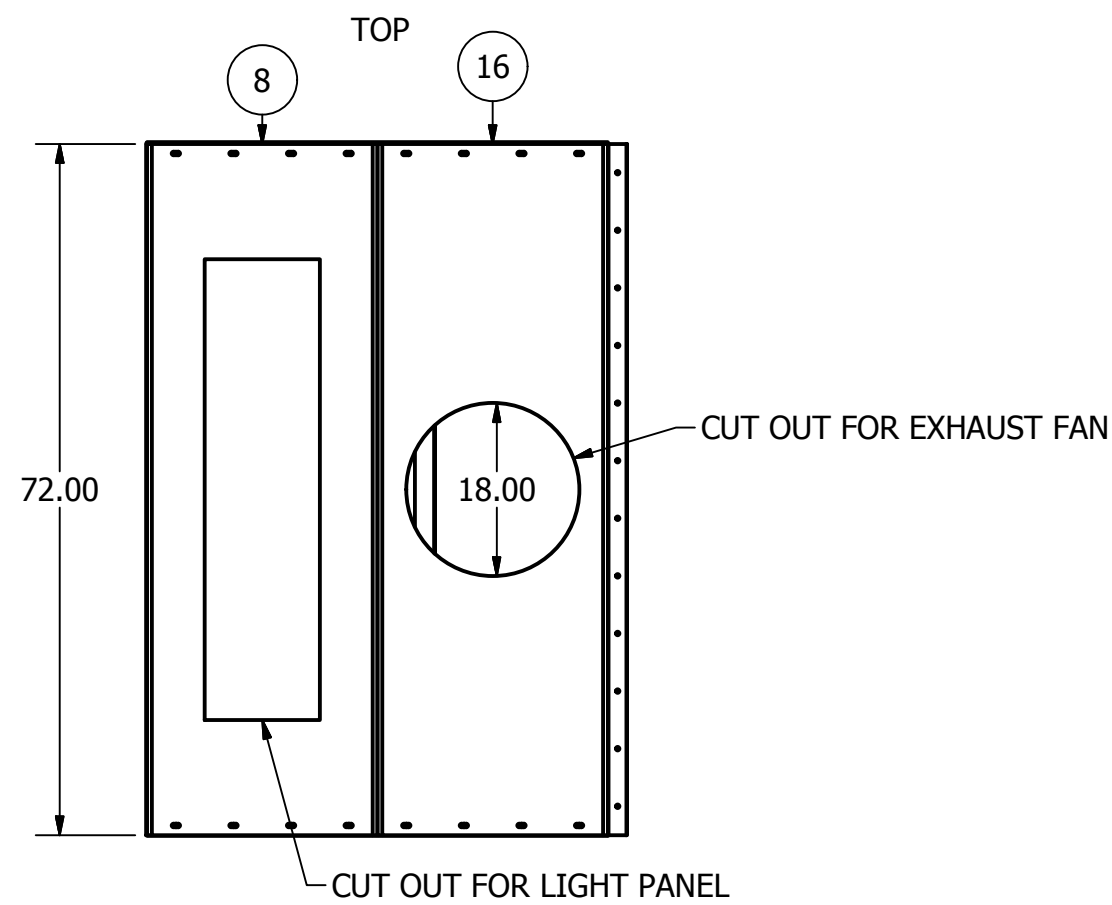


PARTS LIST		
ITEM	QTY	PART NUMBER
2	6	48 TRIM
3	4	24 X 84
6	2	24 X 68
8	1	24 X 72 LIGHT
9	2	VERTICAL PLENUM
10	2	HORIZONTAL PLENUM
11	3	19.75 DIVIDER
12	2	39.75 DIVIDER
13	1	72 FIRE GAURD
14	1	12 X 72
15	2	26 X 72
16	1	24 X 72 EXHAUST

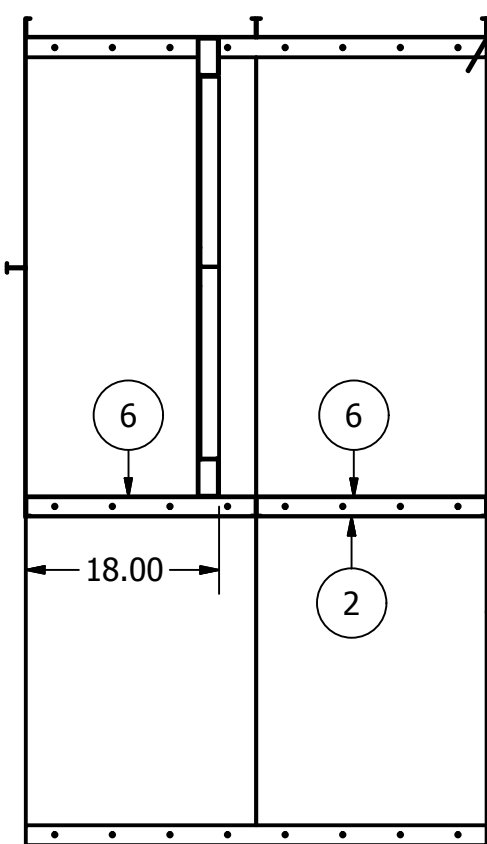


18" TUBE AXIAL FAN WITH TEFC MOTOR

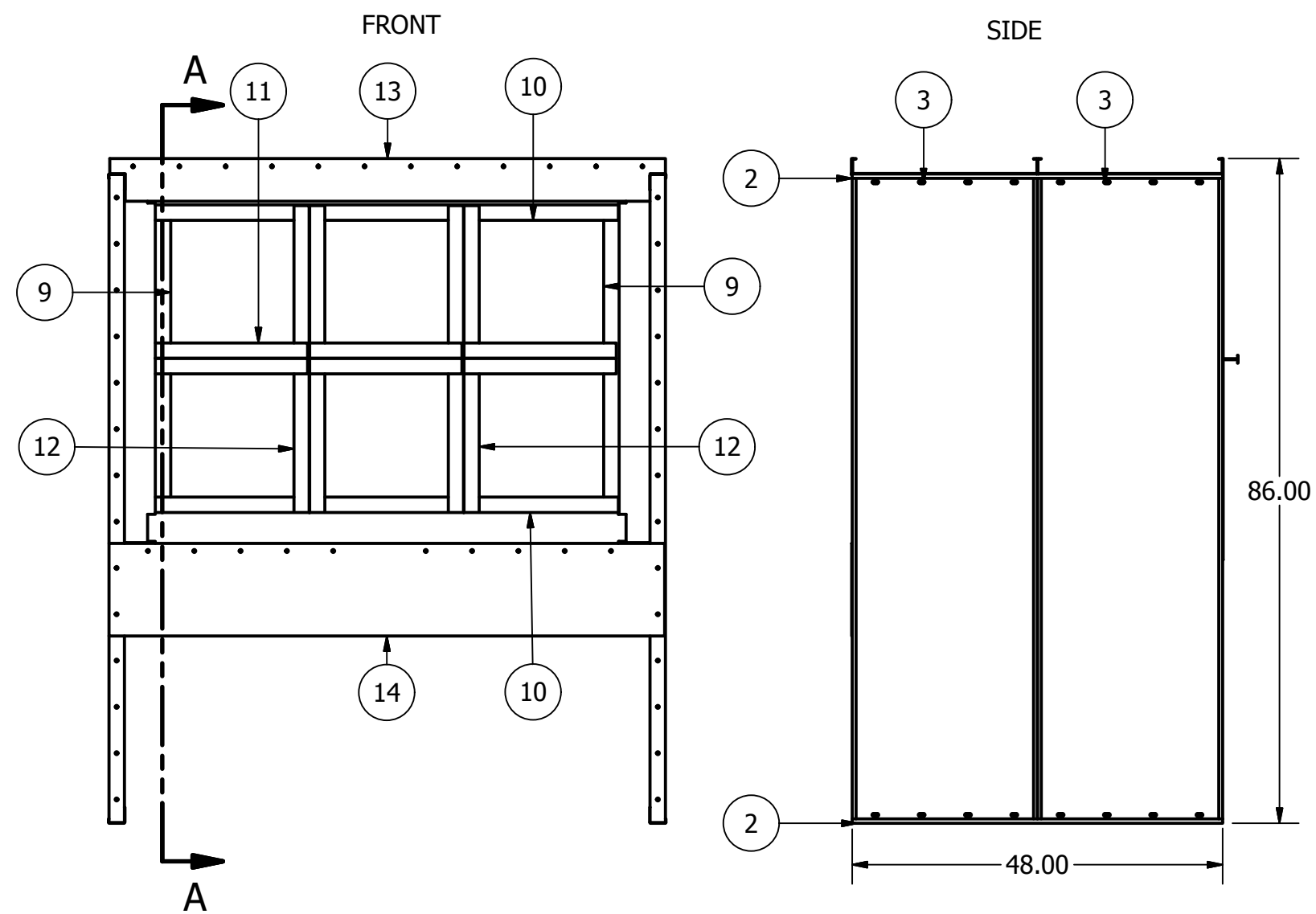


BACK

SECTION VIEW SHOWING PLENUM



SECTION A-A
SCALE .05



NOTE:
PLENUM PANELS ARE FASTENED TO SIDE WALLS USING SELF DRILLING SCREWS. "T" DIVIDERS ARE THEN FASTENED TO THE PLENUM PANELS SPACING 20.00 APART ON CENTER

ALL PANELS CONSTRUCTED FROM 18GA G90 GALVANIZED STEEL

DRAWN TCOOK	6/19/2014	JC METAL FABRICATION		
CHECKED		TITLE		
QA		6 FT BENCH BOOTH		
MFG		SIZE C	DWG NO 6 FT BENCH BOOTH	REV A
APPROVED		SCALE .05	SHEET 1 OF 1	