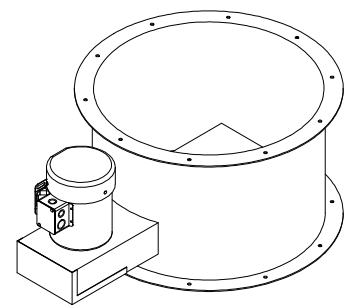
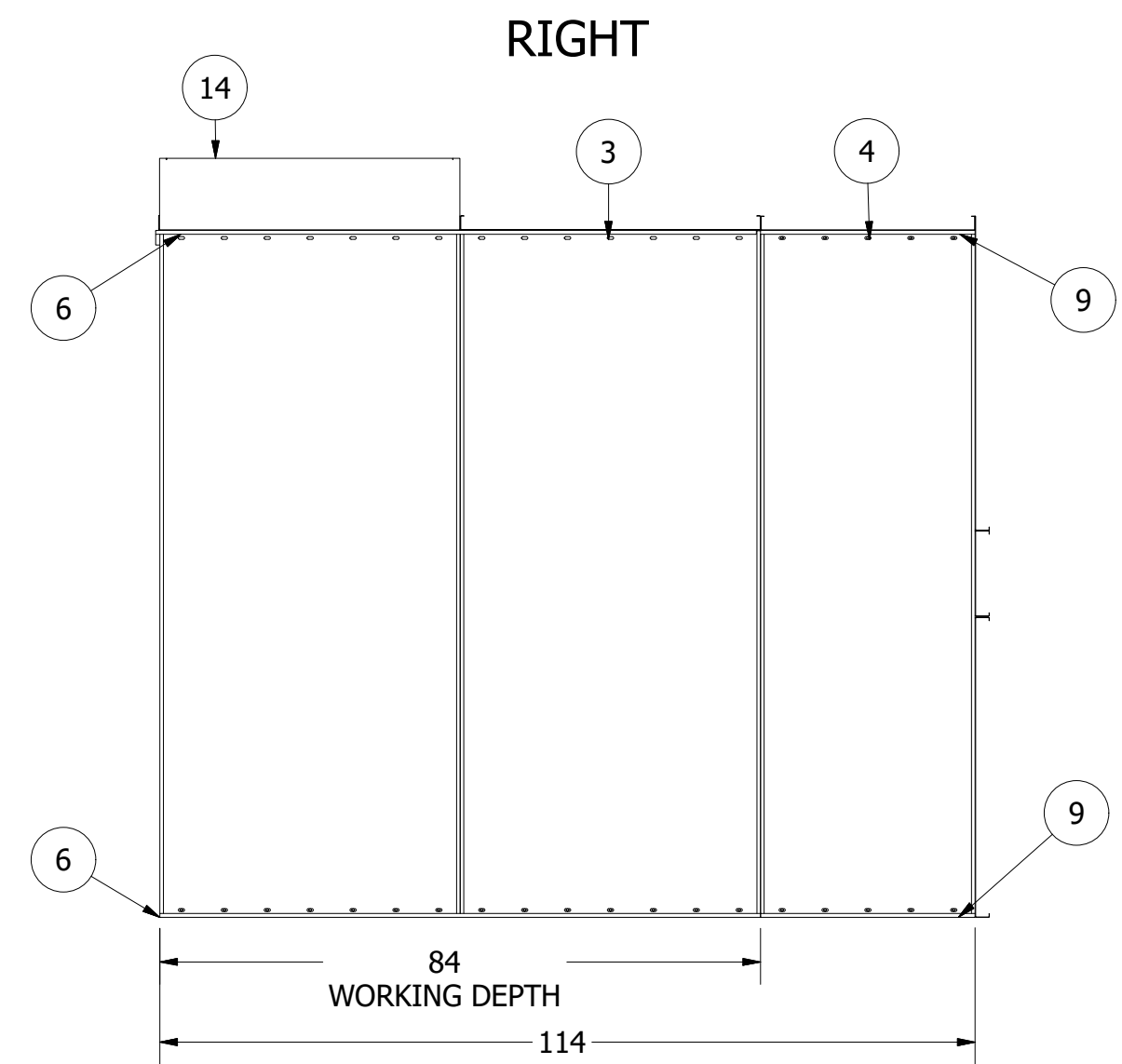
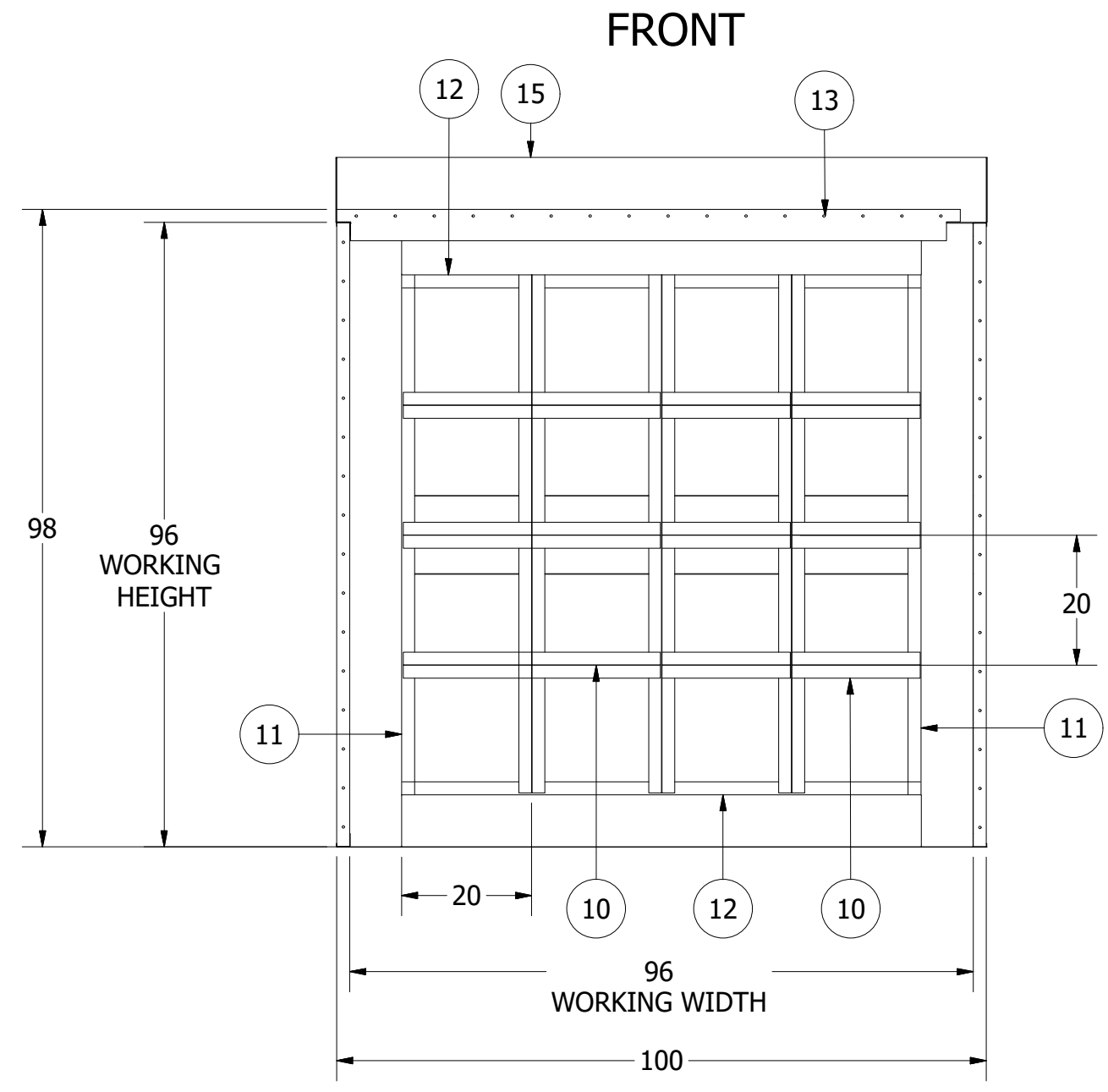
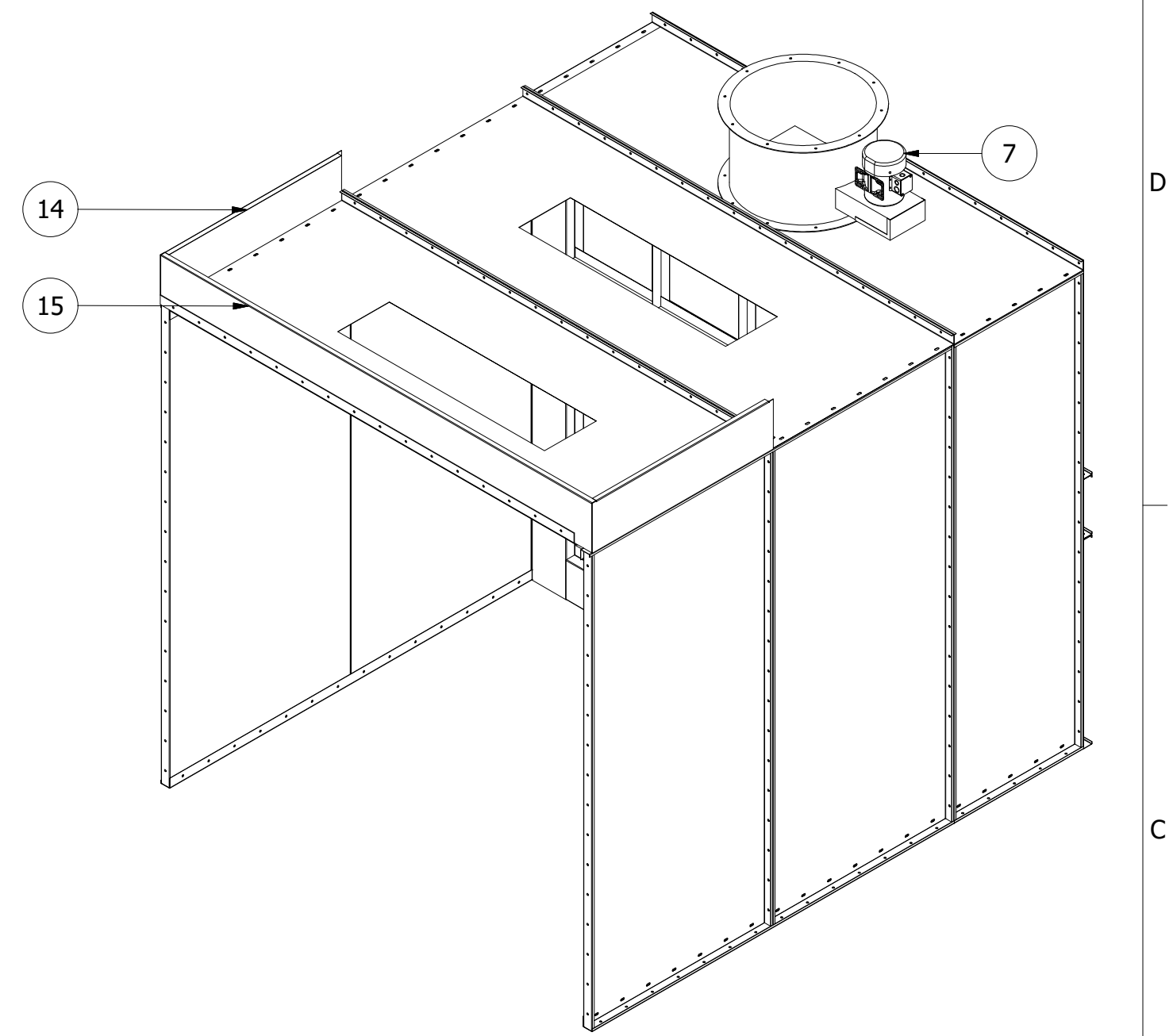
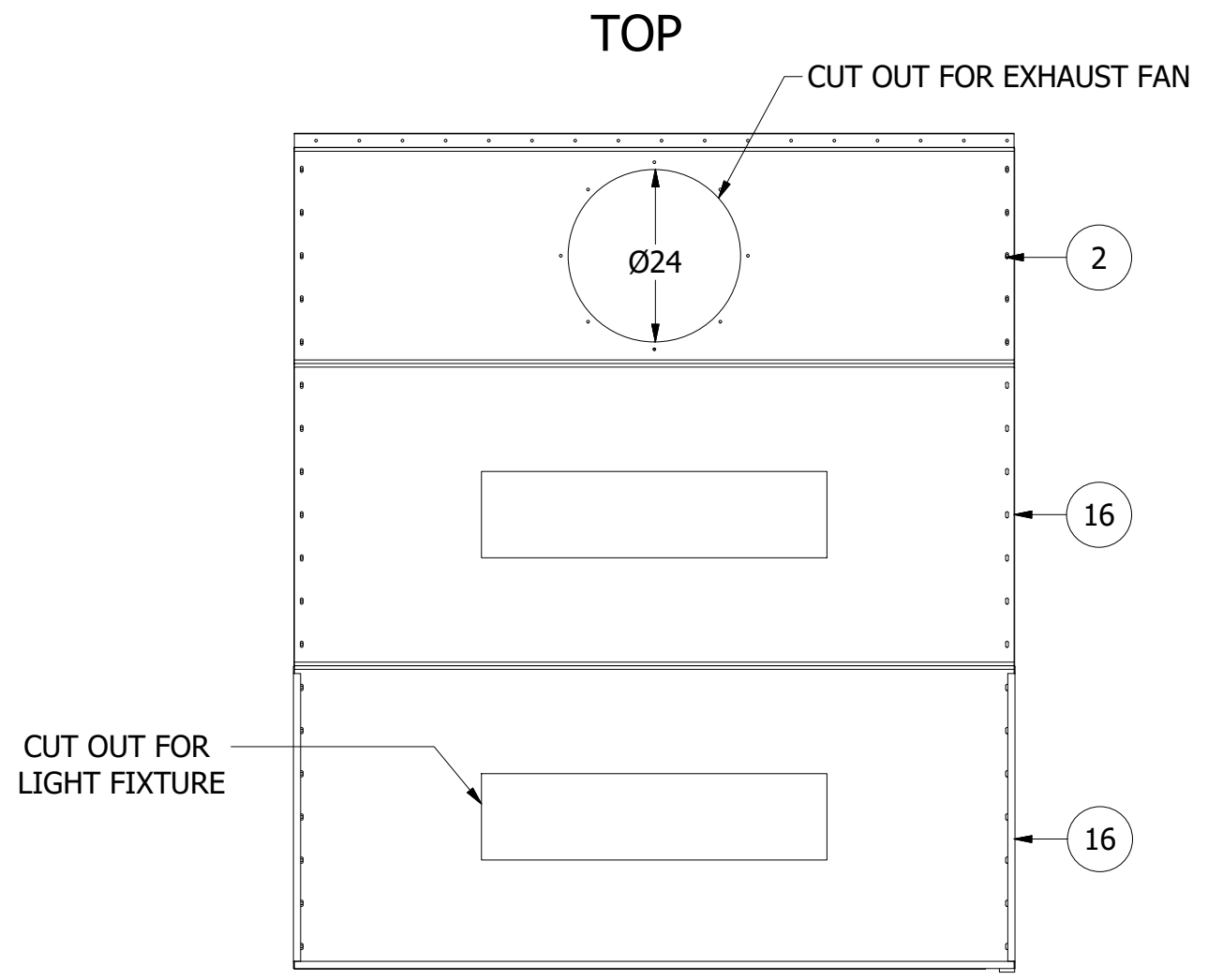


PARTS LIST		
ITEM	QTY	PART NUMBER
1	1	44 X 100
2	1	30 X 100 FAN
3	4	42 X 96
4	2	30 X 96
5	1	12 X 100
6	4	84 TRIM
7	1	FAN ASSEMBLY
8	3	79.75 DIVIDER
9	4	30 TRIM
10	12	19.75 DIVIDER
11	2	VERTICAL PLENUM
12	2	HORIZONTAL PLENUM
13	1	96 FIRE GUARD
14	2	SIDE GUARD
15	1	FRONT GUARD
16	2	42 X 100 LIGHT
17	1	42 X 100



24" TUBE AXIAL FAN WITH TEFC MOTOR

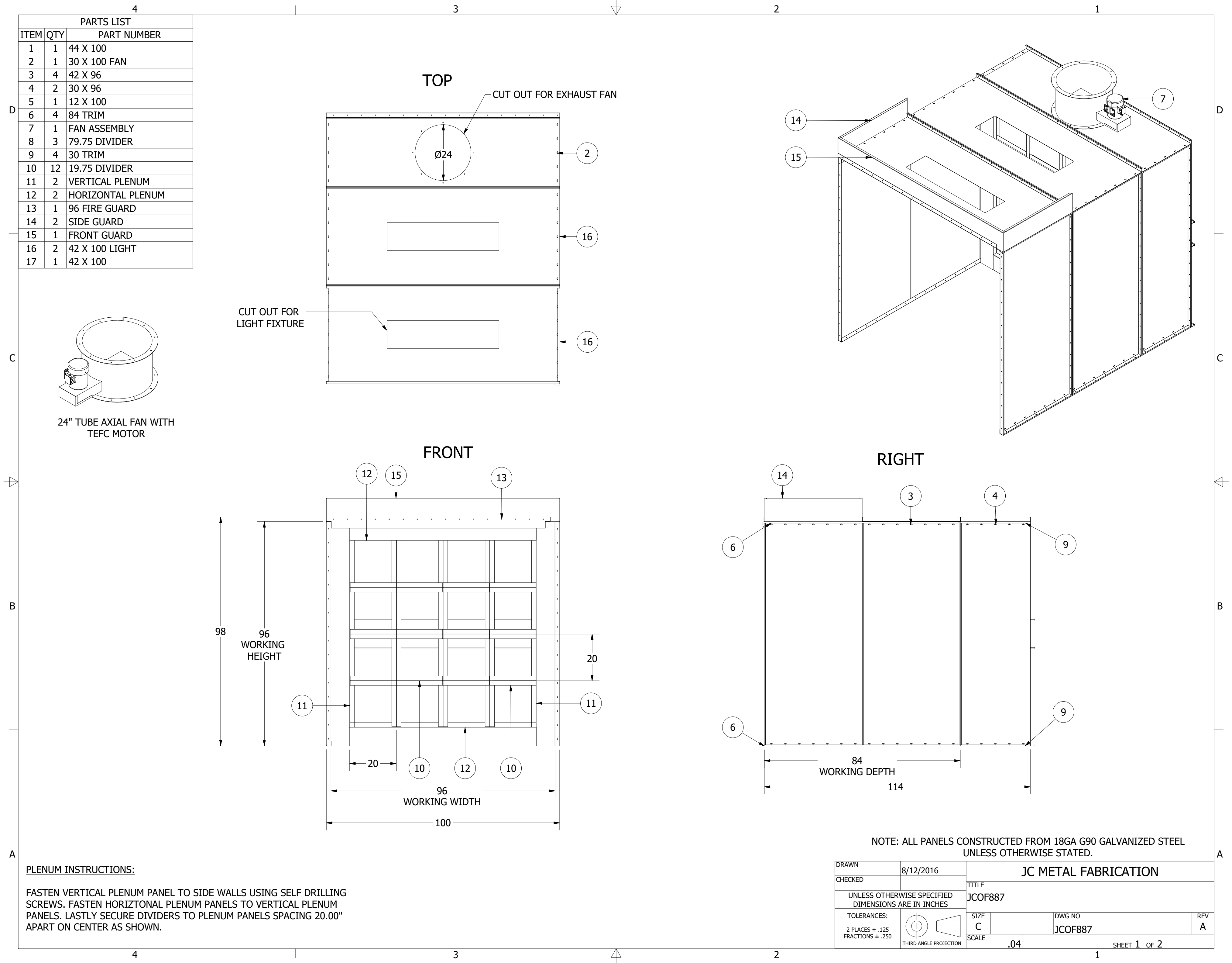


NOTE: ALL PANELS CONSTRUCTED FROM 18GA G90 GALVANIZED STEEL UNLESS OTHERWISE STATED.

PLENUM INSTRUCTIONS:

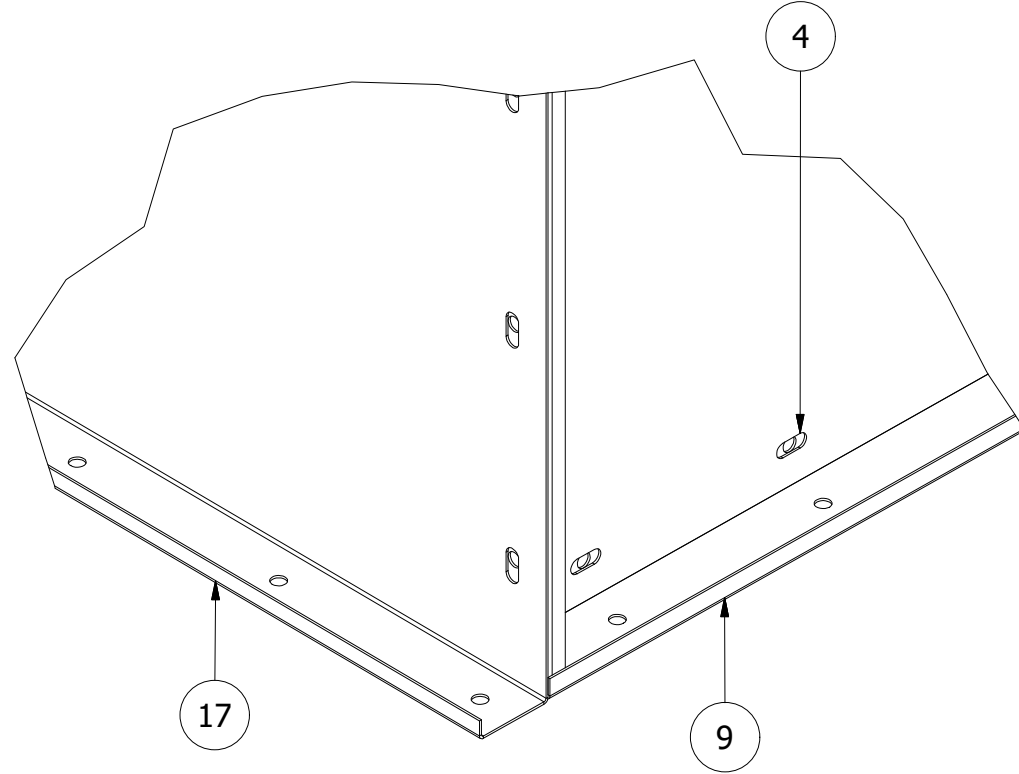
FASTEN VERTICAL PLENUM PANEL TO SIDE WALLS USING SELF DRILLING SCREWS. FASTEN HORIZONTAL PLENUM PANELS TO VERTICAL PLENUM PANELS. LASTLY SECURE DIVIDERS TO PLENUM PANELS SPACING 20.00" APART ON CENTER AS SHOWN.

DRAWN	8/12/2016	JC METAL FABRICATION		
CHECKED		TITLE JCOF887		
UNLESS OTHERWISE SPECIFIED DIMENSIONS ARE IN INCHES		SIZE C	DWG NO JCOF887	REV A
TOLERANCES: 2 PLACES ± .125 FRACTIONS ± .250		SCALE .04	SHEET 1 OF 2	

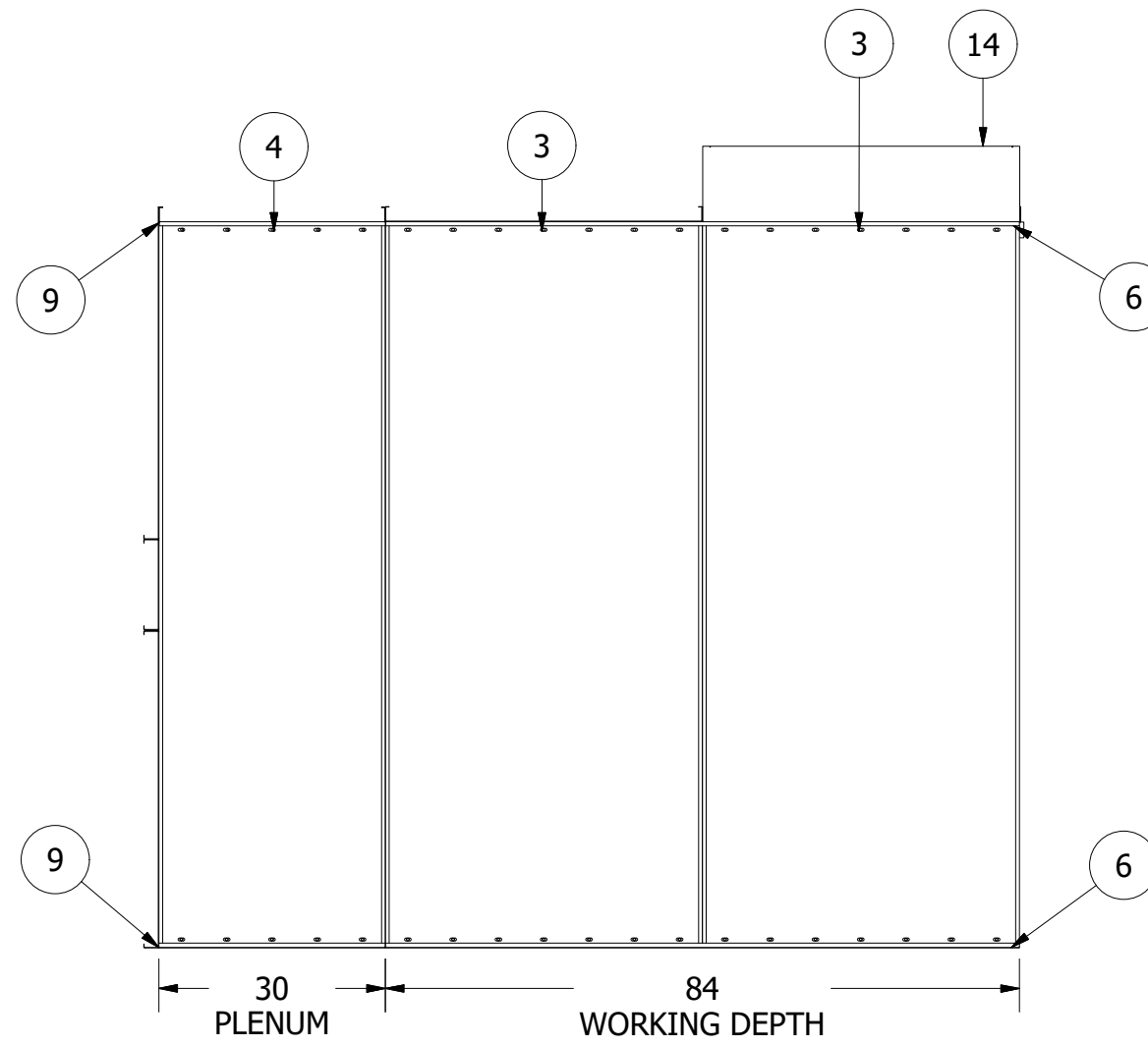
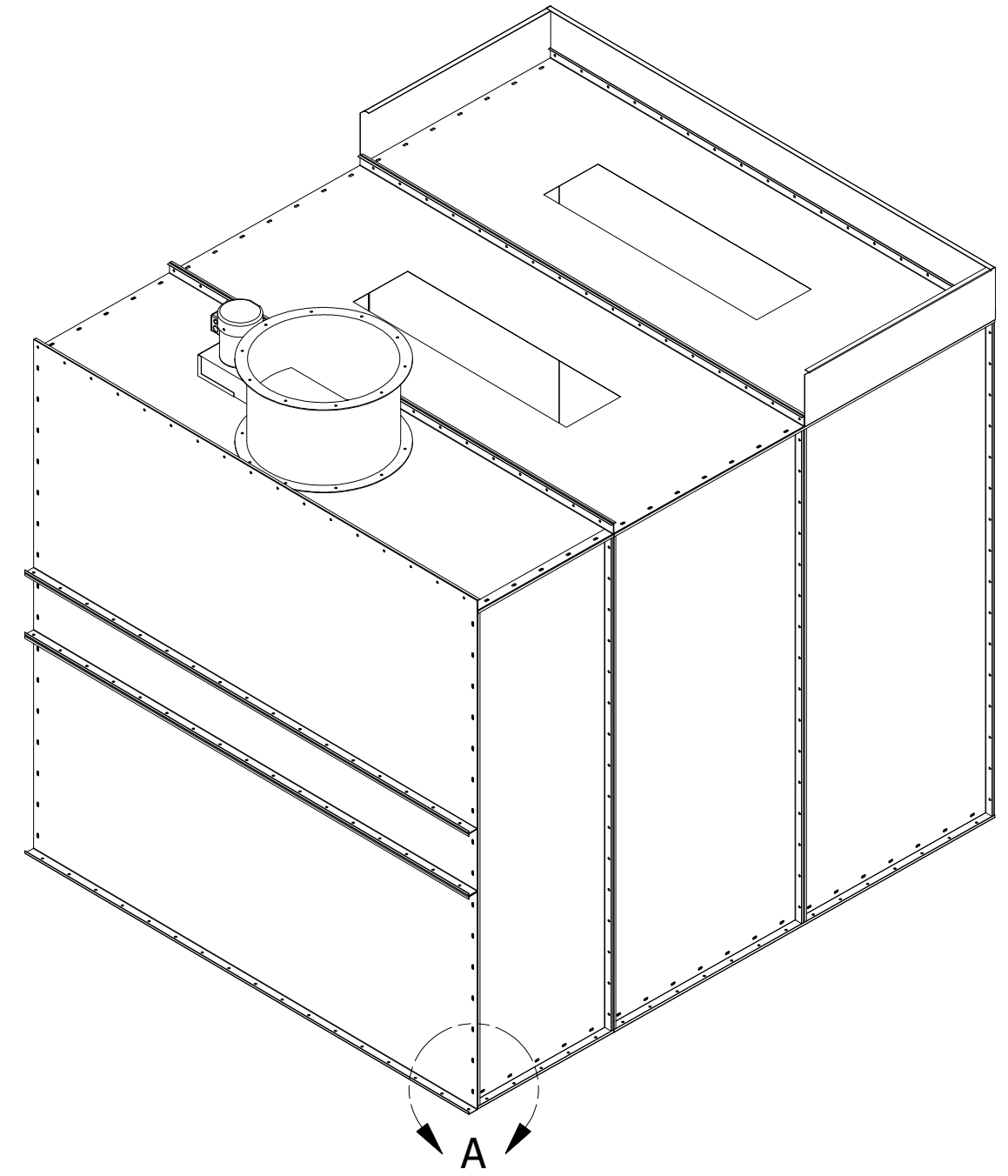
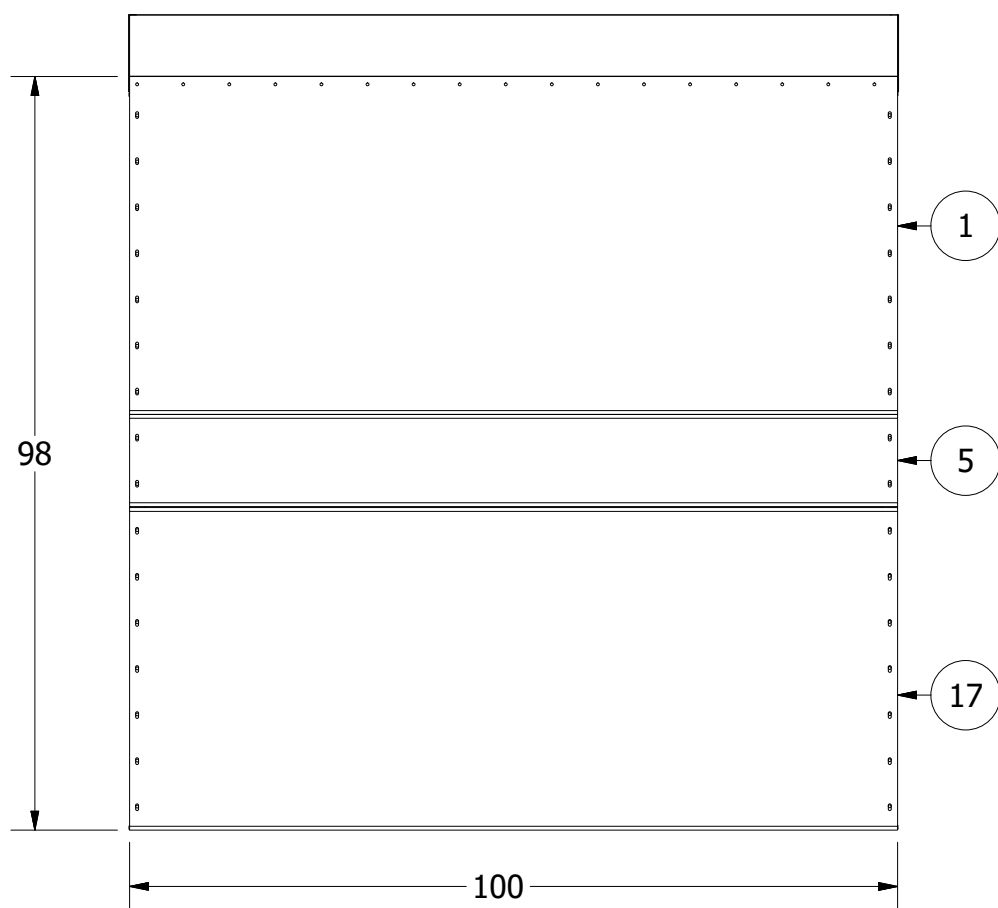


PARTS LIST		
ITEM	QTY	PART NUMBER
1	1	44 X 100
2	1	30 X 100 FAN
3	4	42 X 96
4	2	30 X 96
5	1	12 X 100
6	4	84 TRIM
7	1	FAN ASSEMBLY
8	3	79.75 DIVIDER
9	4	30 TRIM
10	12	19.75 DIVIDER
11	2	VERTICAL PLENUM
12	2	HORIZONTAL PLENUM
13	1	96 FIRE GUARD
14	2	SIDE GUARD
15	1	FRONT GUARD
16	2	42 X 100 LIGHT
17	1	42 X 100

EXAMPLE OF PANEL INTERSECTION



DETAIL A
SCALE 1/4



NOTE: ALL PANELS CONSTRUCTED FROM 18GA G90 GALVANIZED STEEL UNLESS OTHERWISE STATED.

DRAWN	8/12/2016	JC METAL FABRICATION		
CHECKED		TITLE JCOF887		
UNLESS OTHERWISE SPECIFIED DIMENSIONS ARE IN INCHES		SIZE C	DWG NO JCOF887	REV A
TOLERANCES: 2 PLACES ± .125 FRACTIONS ± .250		SCALE .04		SHEET 2 OF 2

D

D

C

C

B

B

A

A