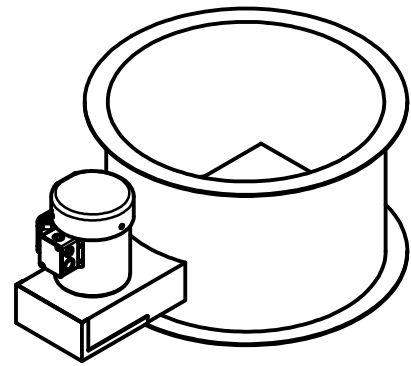
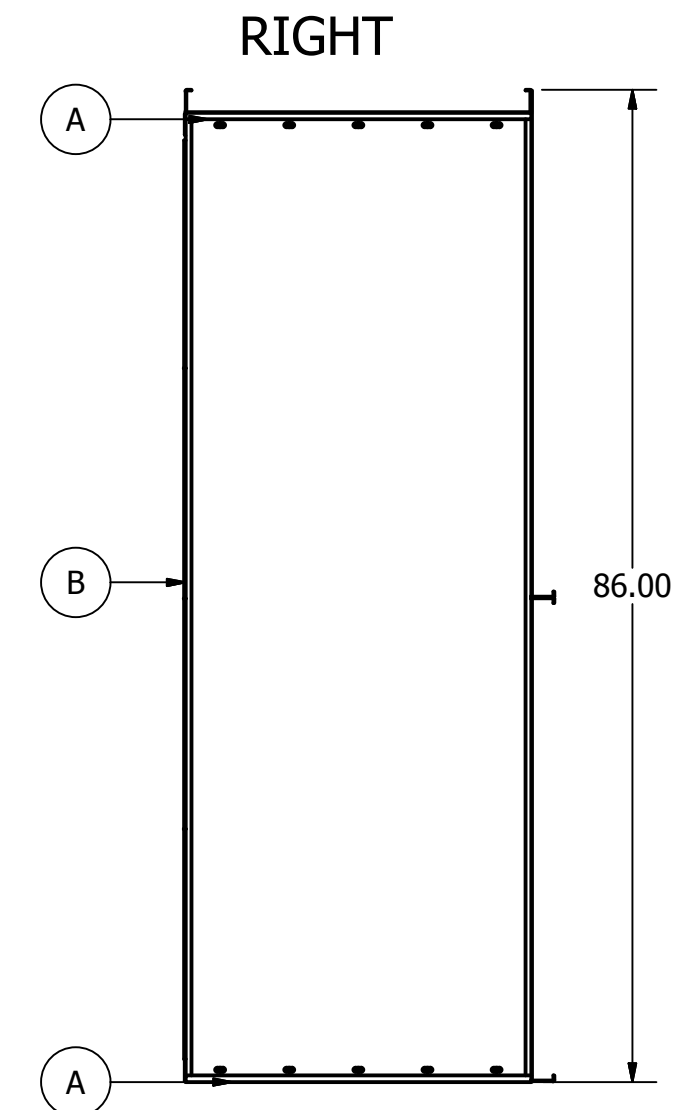
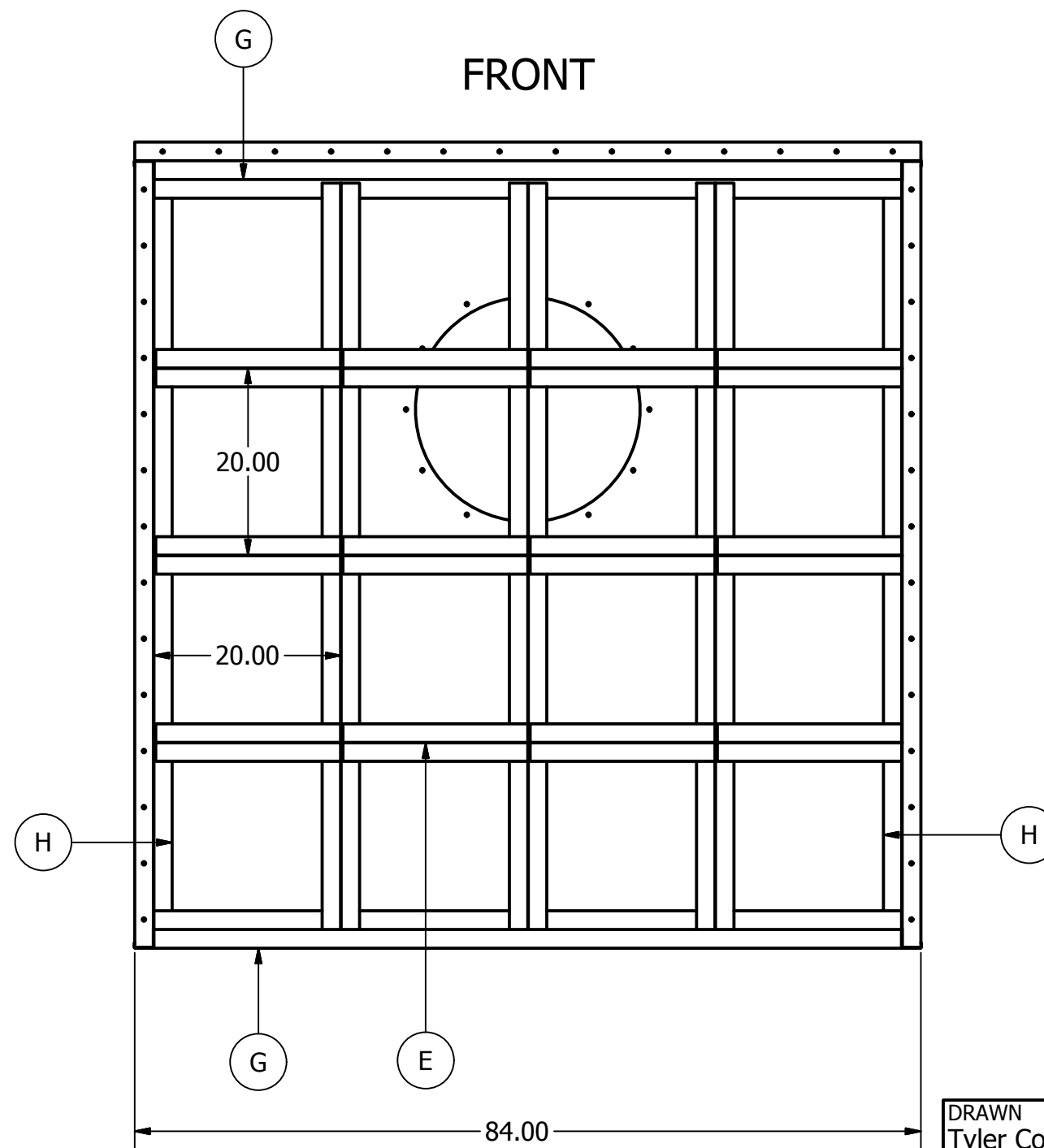
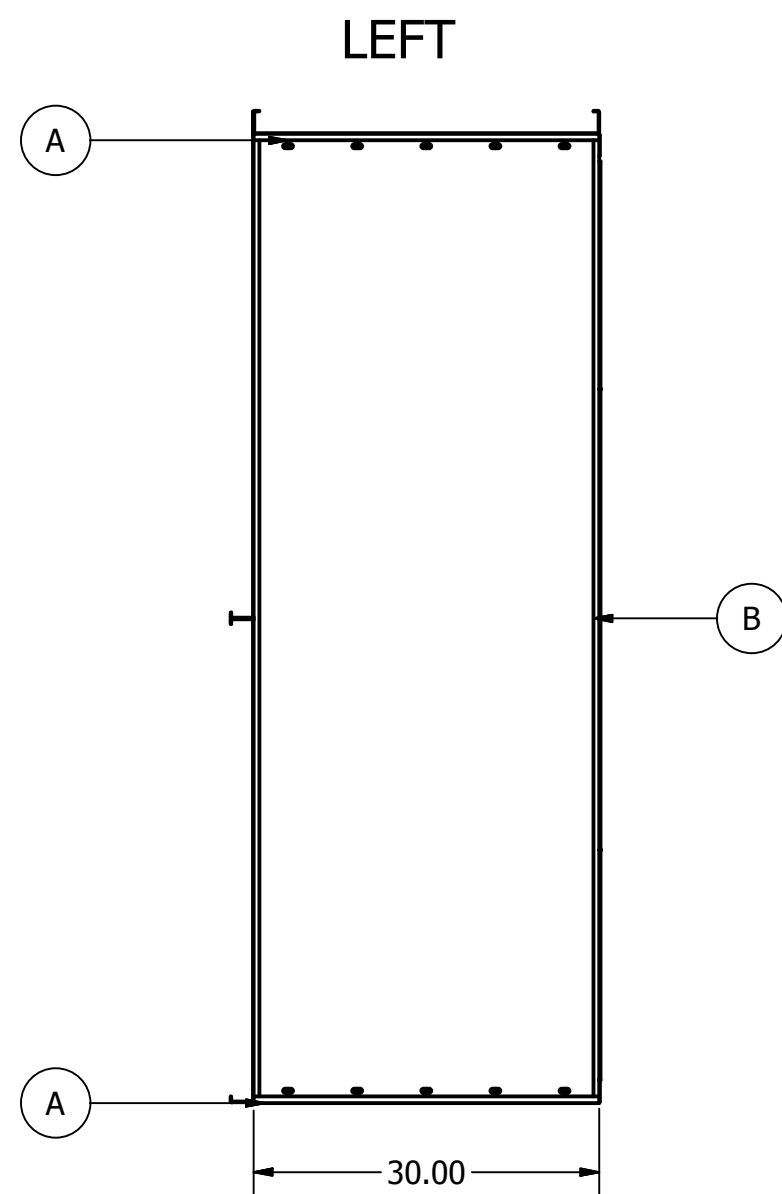
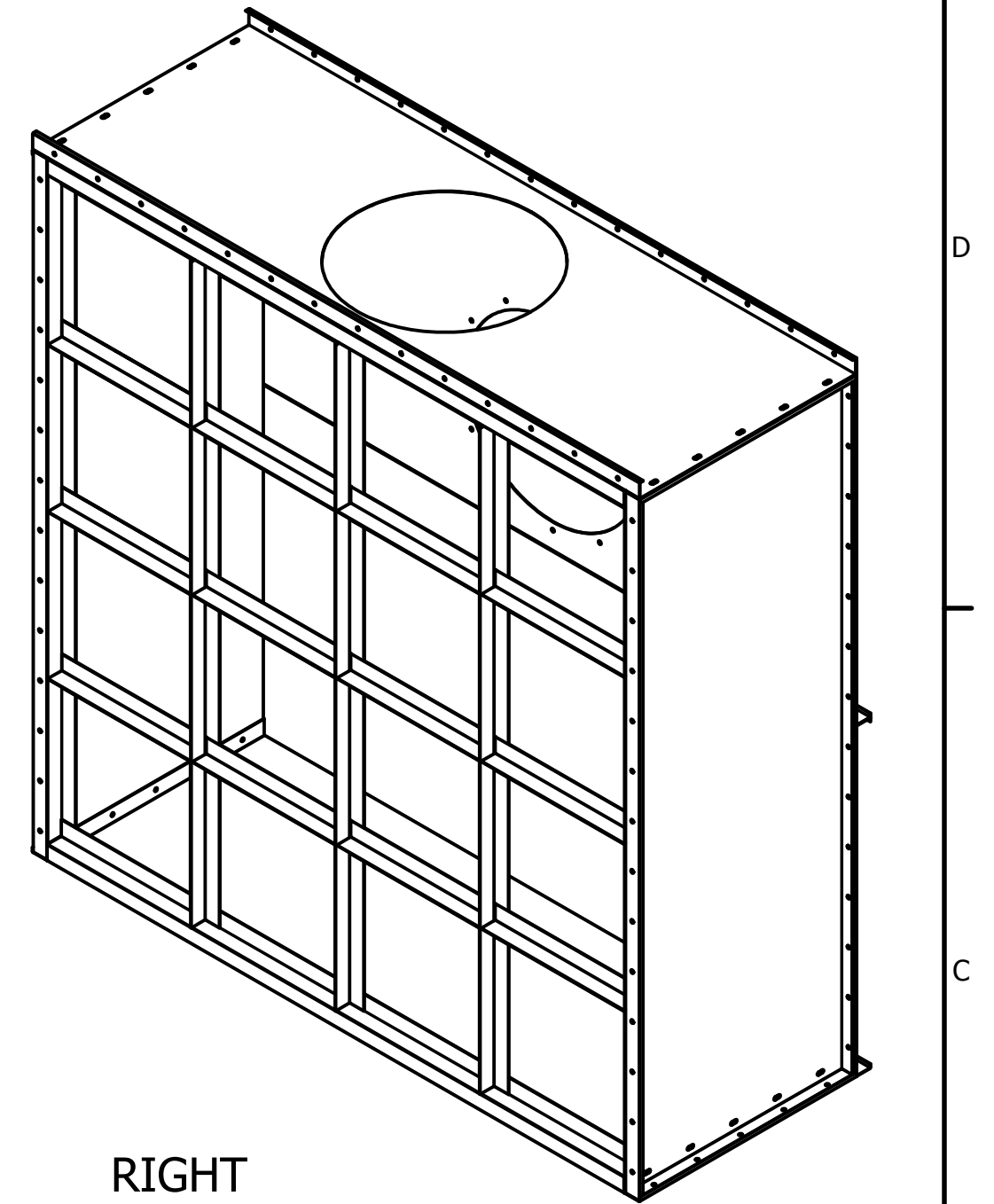
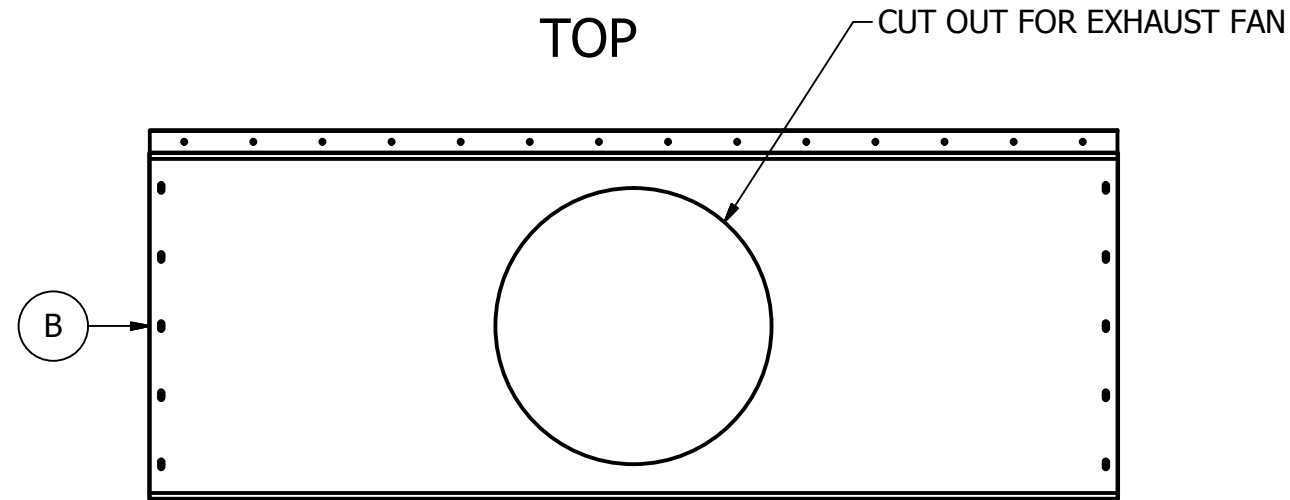


PARTS LIST		
ITEM	QTY	PART NUMBER
A	4	30 TRIM
B	3	30 X 84
C	1	42 X 84
D	1	44 X 84
E	12	19.75 DIVIDER
F	3	79.75 DIVIDER
G	2	HORIZONTAL PLENUM
H	2	VERTICAL PLENUM

NOTE: EXHAUST WALL MAY BE VENTED WITH STANDARD ROOF EXHAUST OR OPTIONAL REAR EXHAUST



24" TUBE AXIAL FAN WITH TEFC MOTOR



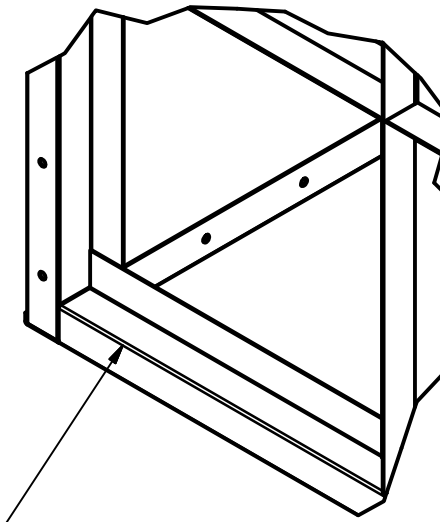
PLENUM CONSISTS OF:
 2- HORIZONTAL PLENUM PANELS 102.00" LENGTH
 2- VERTICAL PLENUM PANELS 84.00" LENGTH
 3 - "T" DIVIDERS 79.75" LENGTH
 12- "T" DIVIDERS 19.75" LENGTH

GRID WORK IS SPACED 20.00" ON CENTER AND FASTENED WITH SELF DRILLING SCREWS

ALL PANELS CONSTRUCTED FROM 16GA G90 GALVANIZED STEEL

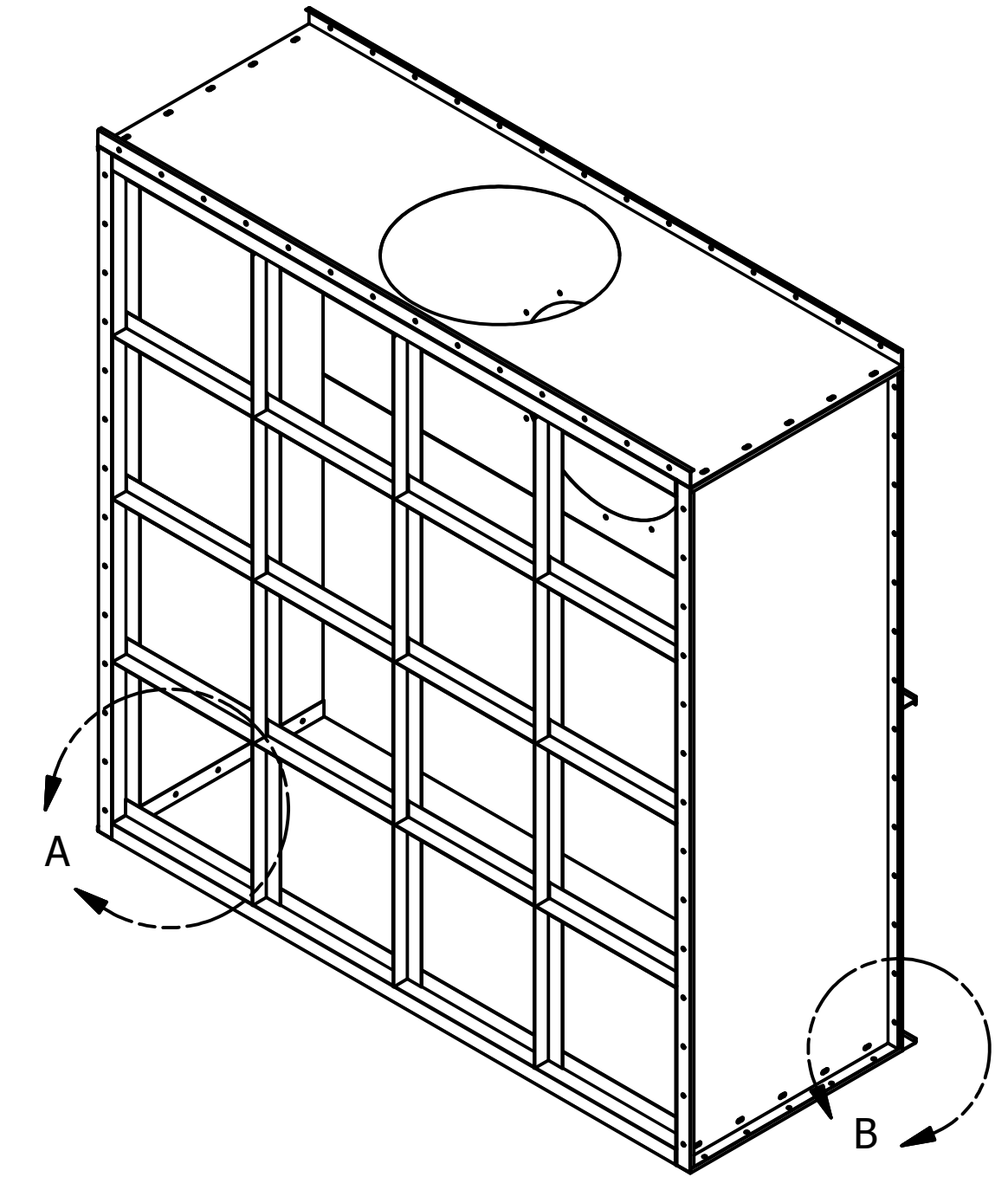
DRAWN Tyler Cook	11/17/2013	JC METAL FABRICATION	
CHECKED		TITLE JCEW7-7	
QA		SIZE C	REV A
MFG		DWG NO JCEW7-7	
APPROVED		SCALE .06	SHEET 1 OF 2

PARTS LIST		
ITEM	QTY	PART NUMBER
A	4	30 TRIM
B	3	30 X 84
C	1	42 X 84
D	1	44 X 84
E	12	19.75 DIVIDER
F	3	79.75 DIVIDER
G	2	HORIZONTAL PLENUM
H	2	VERTICAL PLENUM



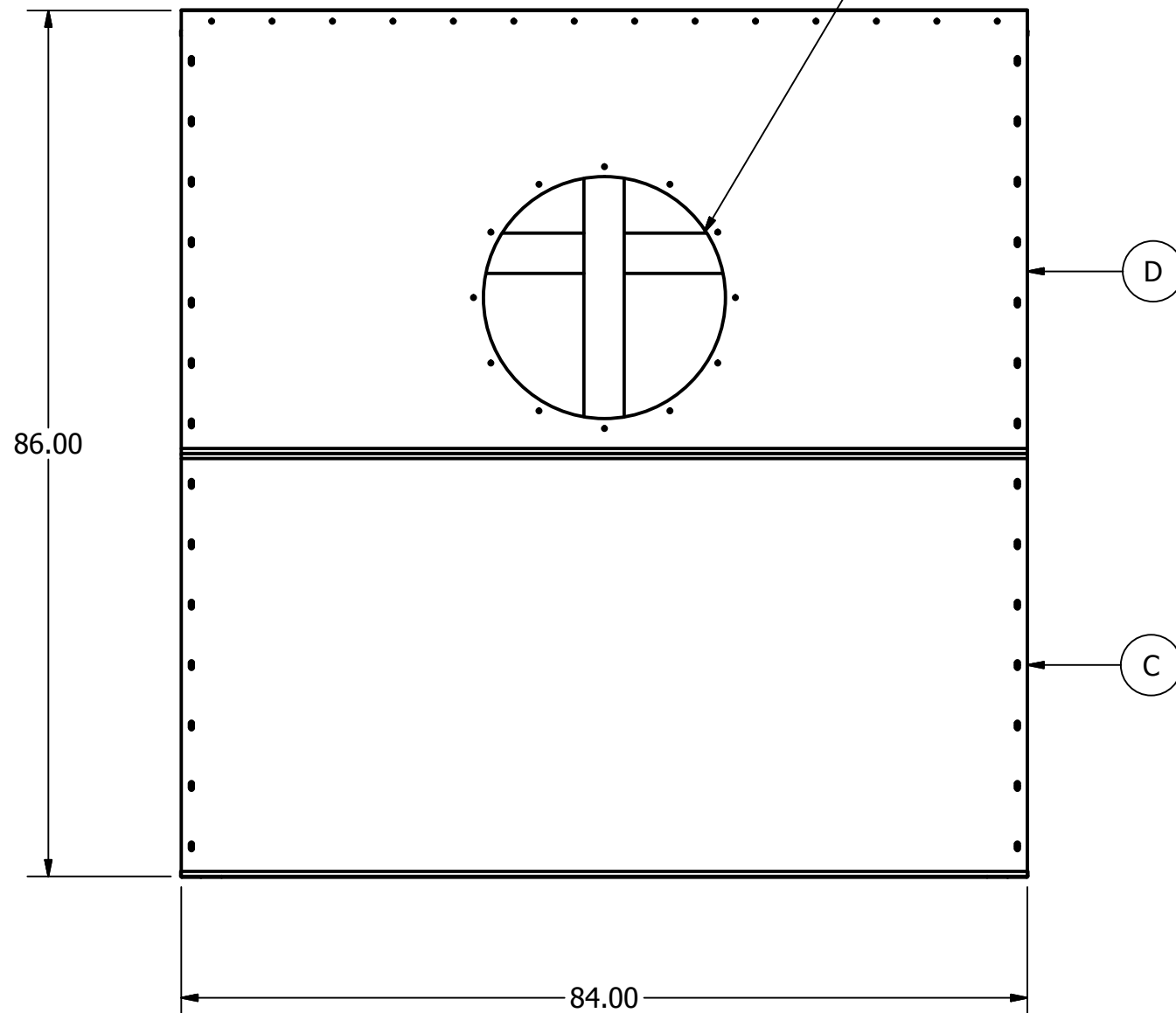
EXAMPLE OF PLENUM GRID WORK

DETAIL A
SCALE 0.12 : 1

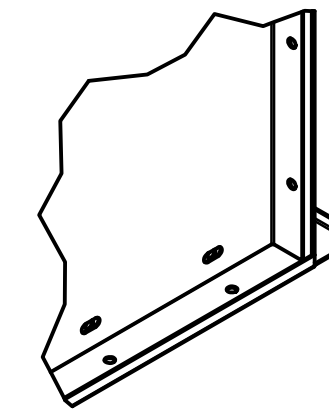


BACK

CUT OUT FOR REAR EXHAUST (OPTIONAL)



EXAMPLE OF PANEL INTERSECTION



DETAIL B
SCALE .15

DRAWN Tyler Cook	11/17/2013	JC METAL FABRICATION		
CHECKED		TITLE JCEW7-7		
QA		SIZE C	DWG NO JCEW7-7	REV A
MFG		SCALE .06	SHEET 2 OF 2	
APPROVED				