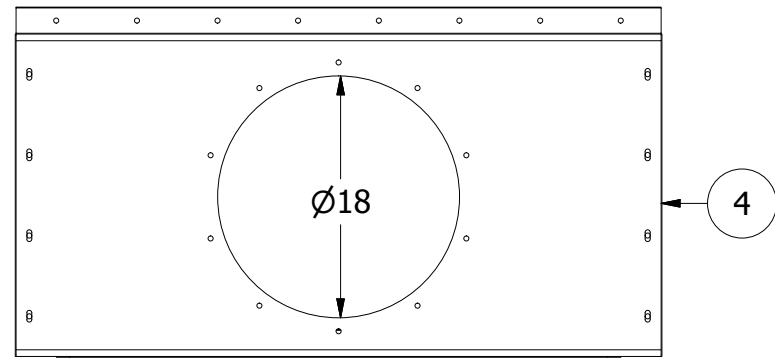
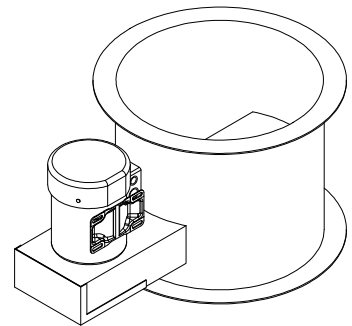
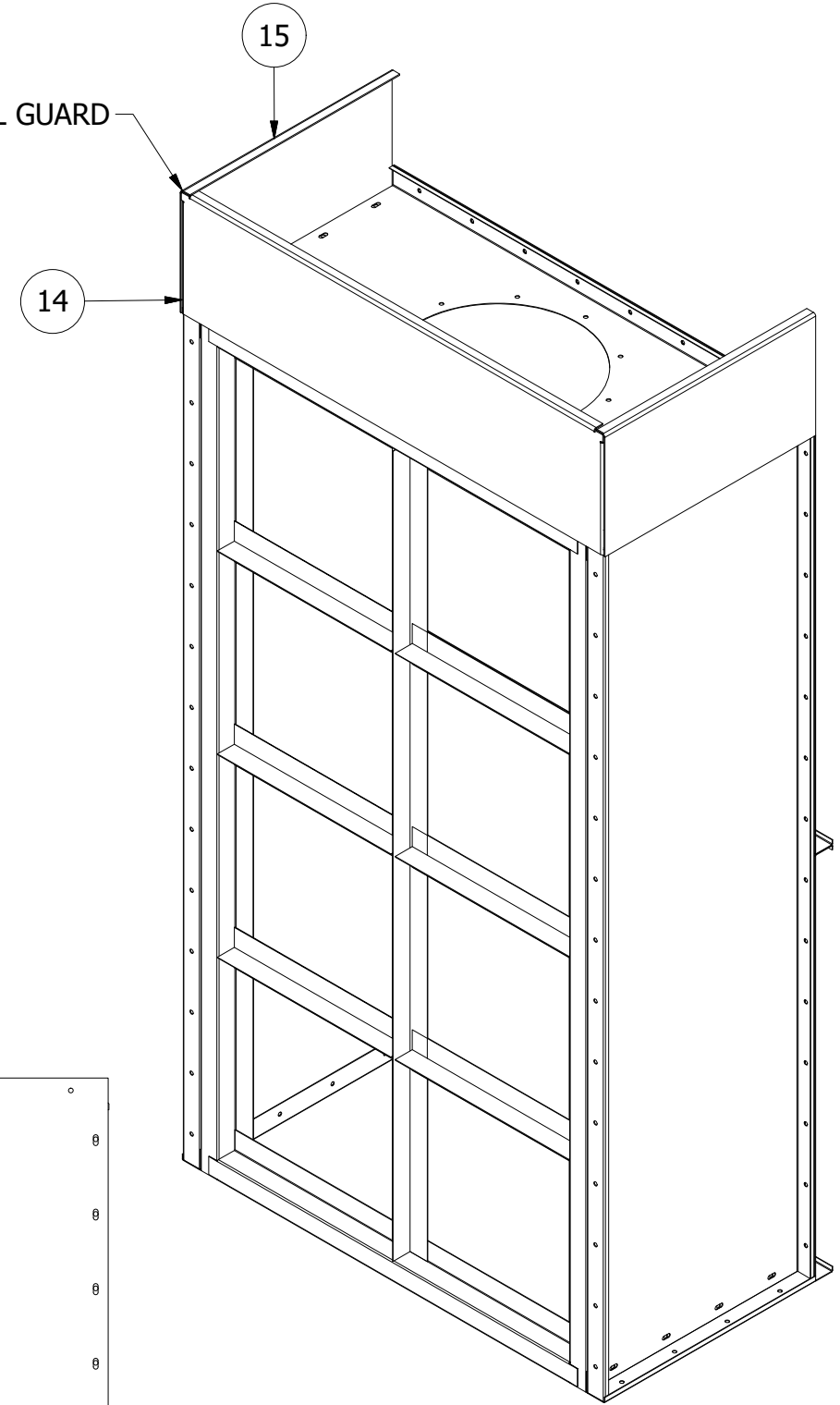


PARTS LIST		
ITEM	QTY	PART NUMBER
1	2	24 X 84
2	1	42 X 48
3	1	44 X 48
4	1	24 X 48 EXHAUST
5	4	24 TRIM
6	2	HORIZONTAL PLENUM
7	2	VERTICAL PLENUM
8	6	19.75 DIVIDER
9	1	79.75 DIVIDER
14	1	FRONT GUARD
15	2	SIDE GUARD

TOP

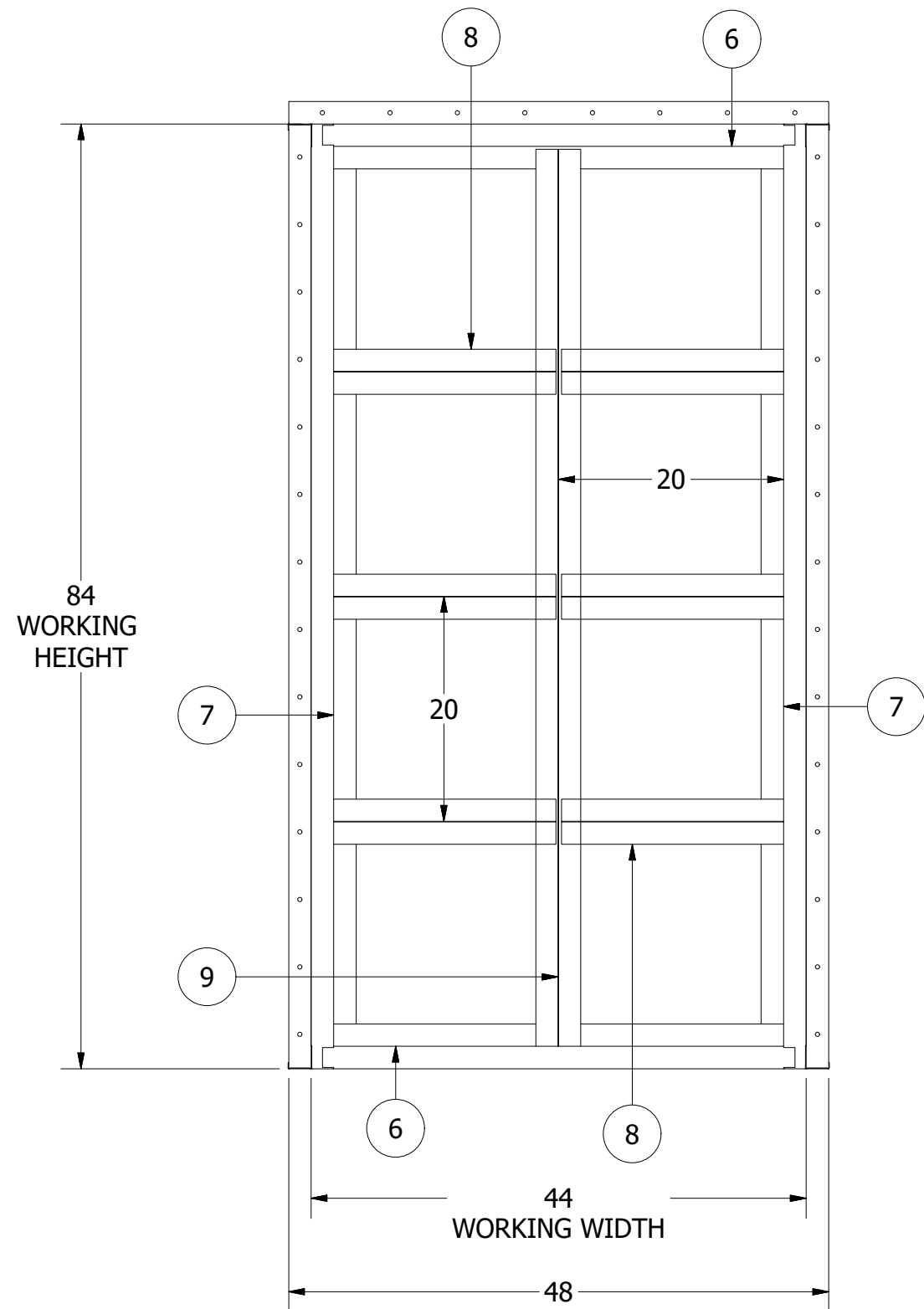


ELECTRICAL GUARD

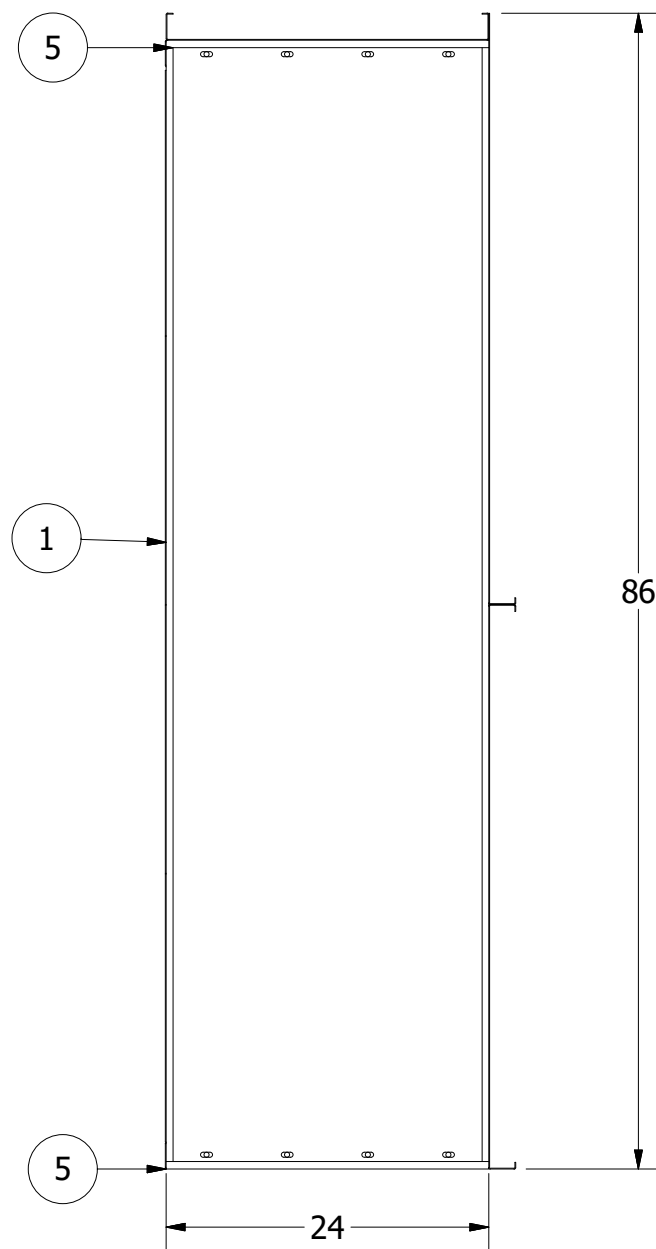


18" TUBE AXIAL FAN WITH TEFC MOTOR

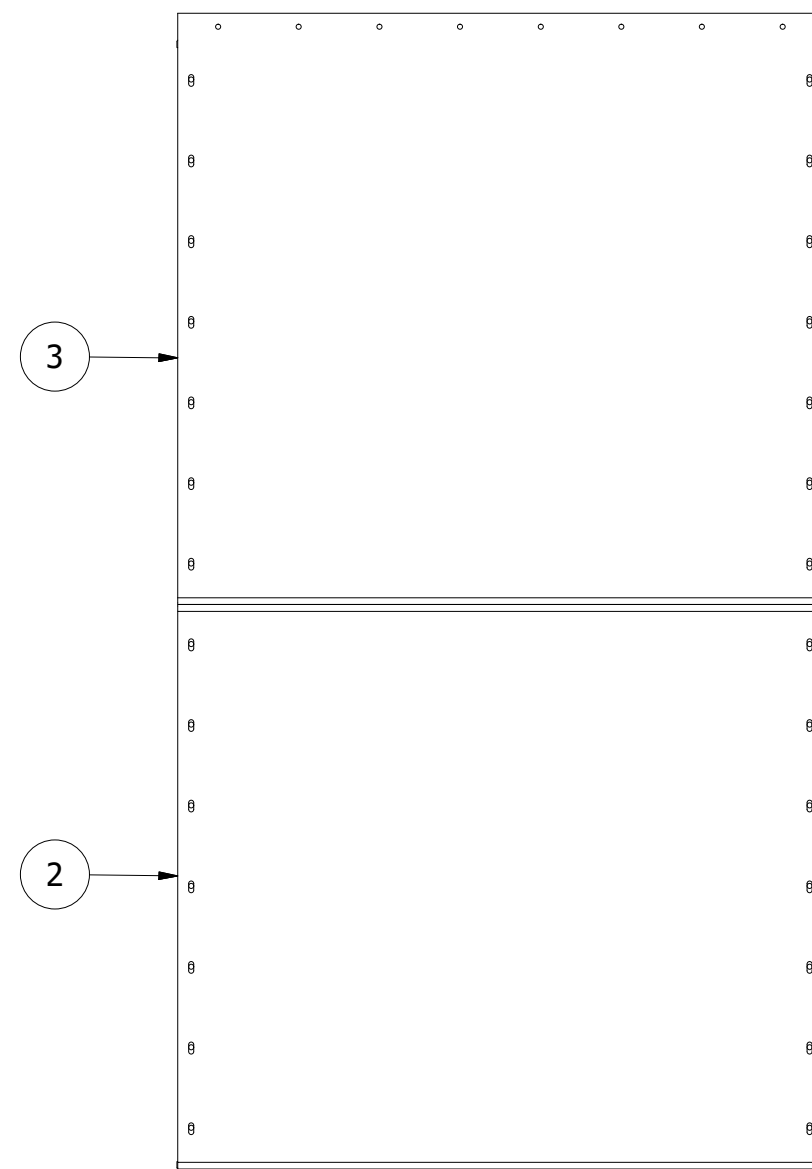
FRONT



RIGHT



BACK



- PLENUM COSIST OF:**
- 2 - HORIZONTAL PLENUM PANELS
  - 2 - VERTICL PLENUM PANELS
  - 1 - 79.75 "T" DIVIDER
  - 6 - 19.75 "T" DIVIDER

PLENUM PANELS ARE FASTENED TO SIDE WALLS 24.00" FROM REAR WALL USING SELF DRILLING SCREWS. FASTEN DIVIDERS TO PLENUM PANELS SPACING DIVIDERS APART 20.00 ON CENTER.

NOTE: ALL PANELS CONSTRUCTED FROM 18GA G90 GALVANIZED STEEL UNLESS OTHERWISE STATED.

DRAWN	3/28/2016	<b>JC METAL FABRICATION</b>	
TCCOOK		TITLE	
CHECKED		<b>4' EXHAUST WALL</b>	
QA		SIZE	DWG NO
MFG		<b>C</b>	<b>JCEW4</b>
APPROVED		SCALE	REV
		0.06	<b>A</b>
		SHEET 1 OF 1	