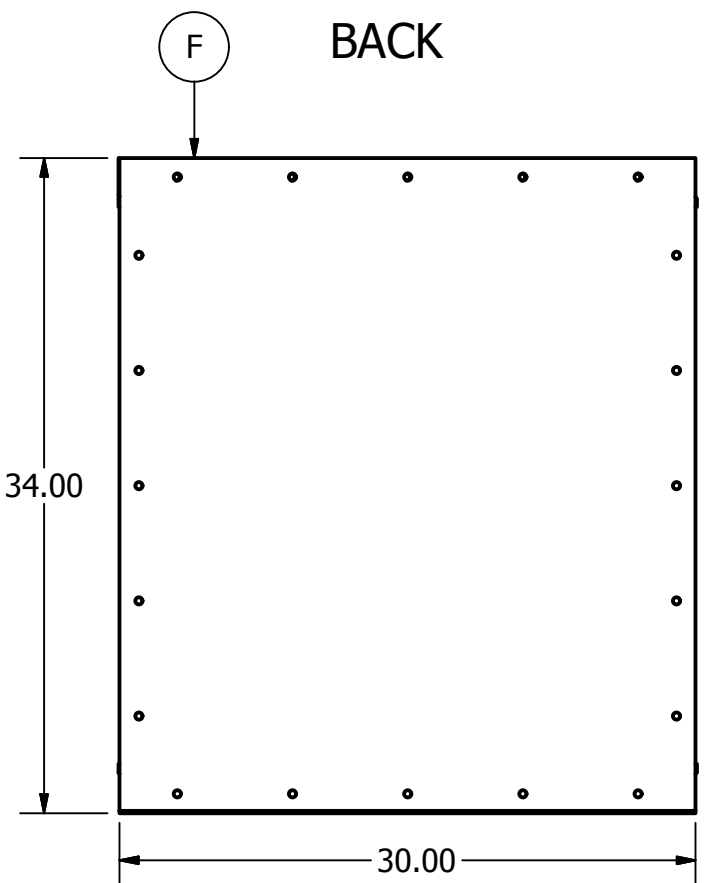
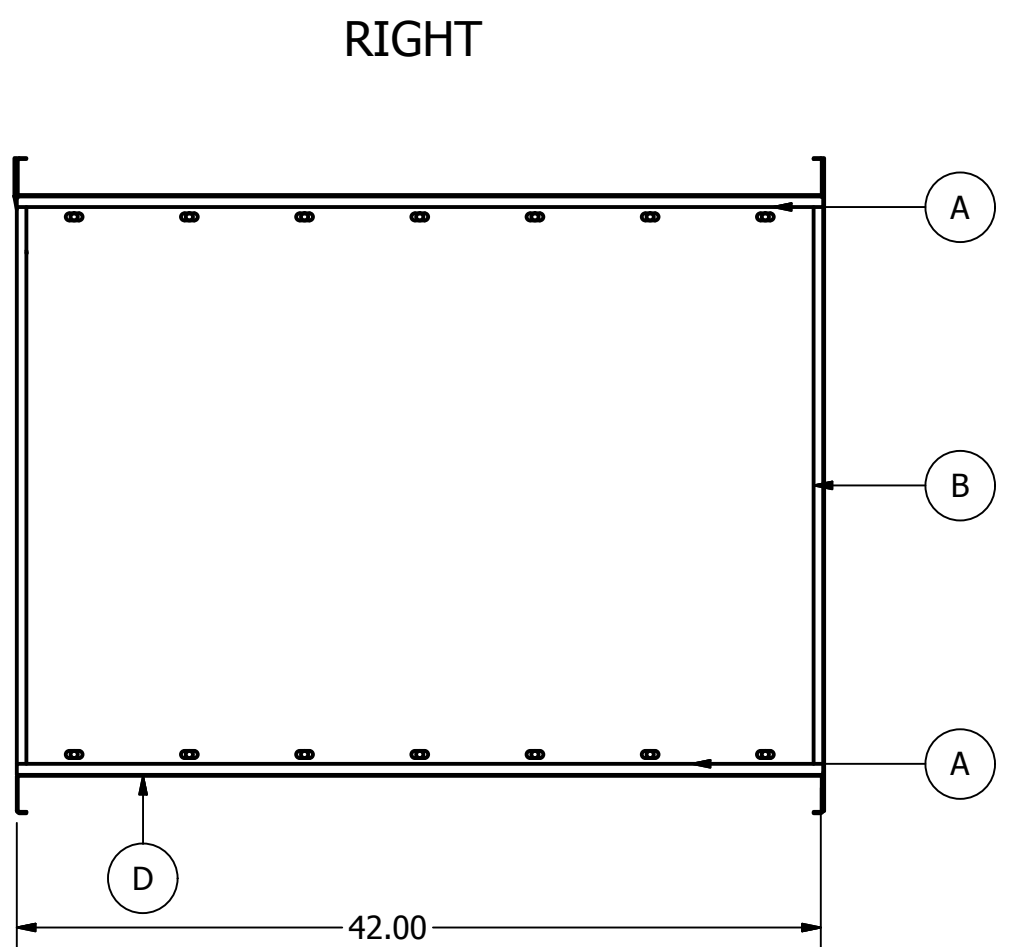
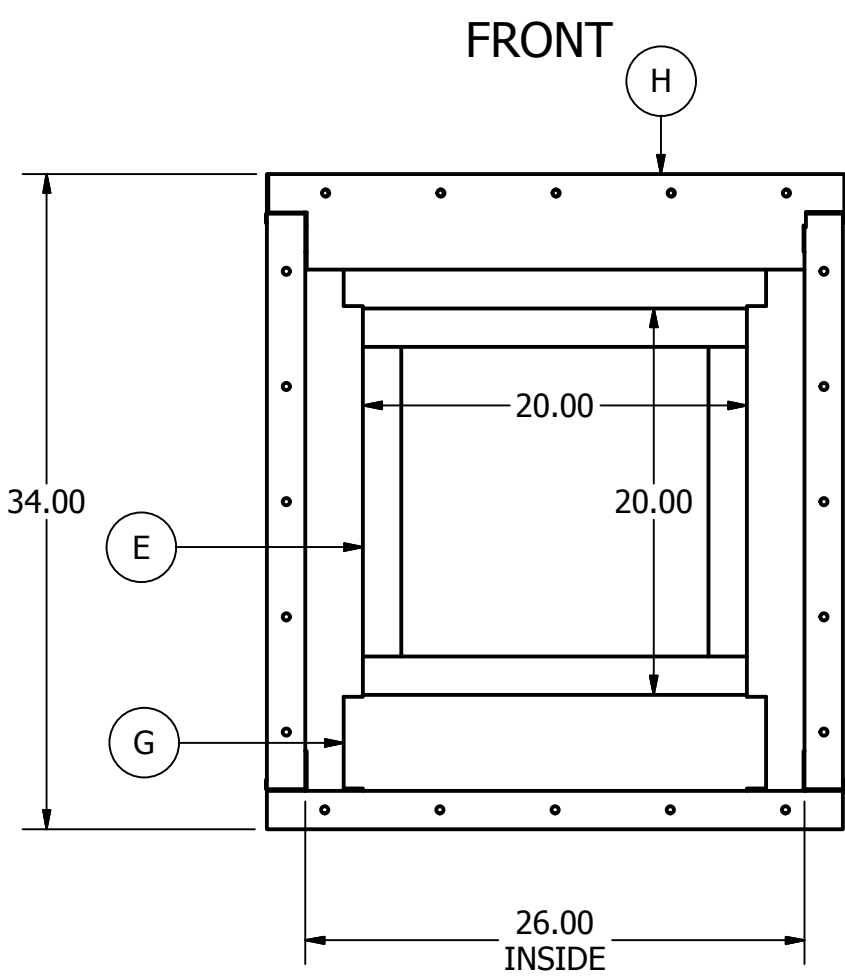
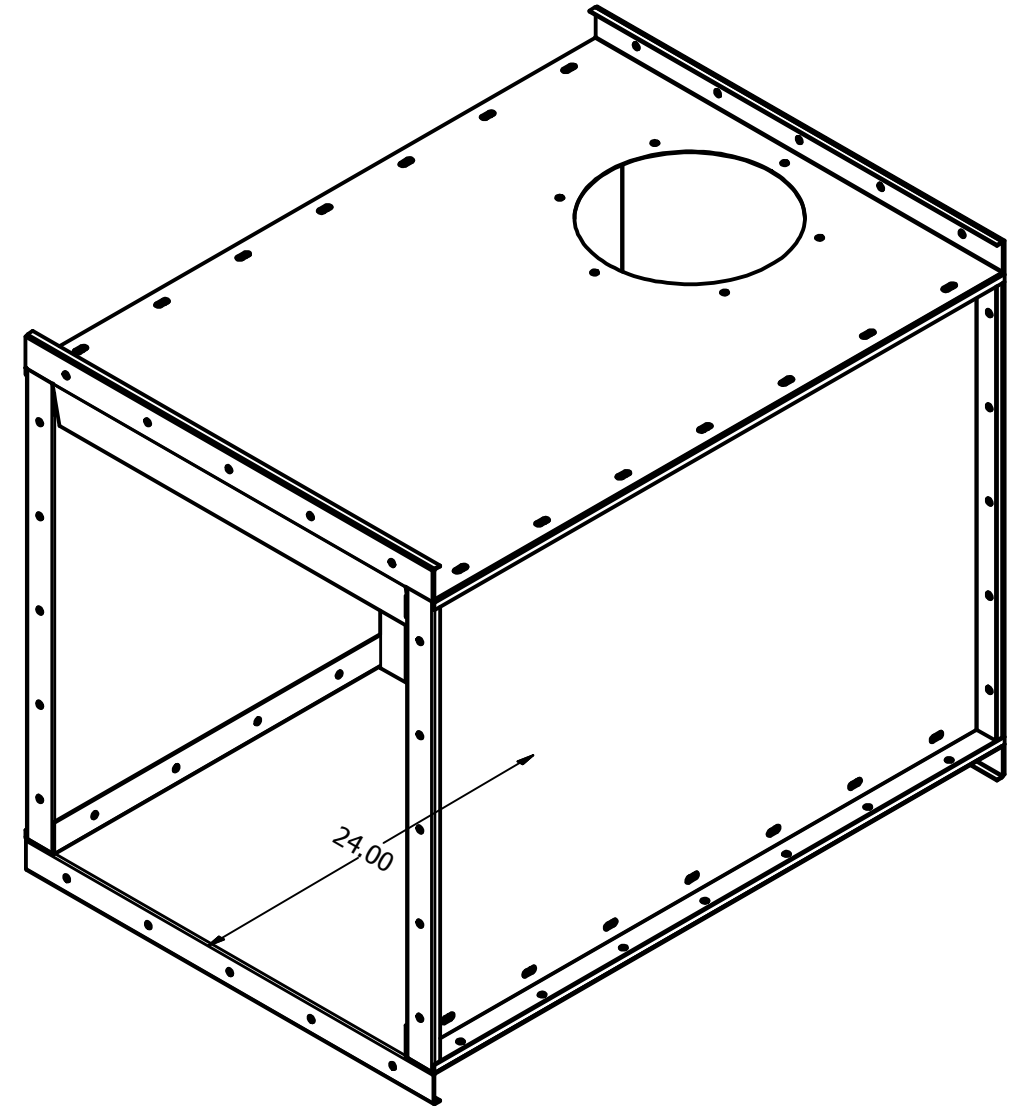
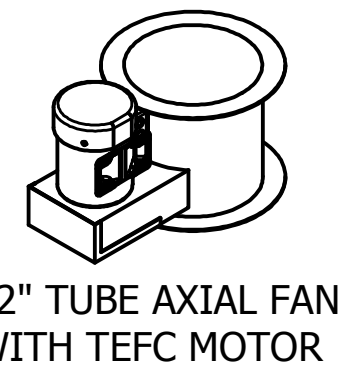
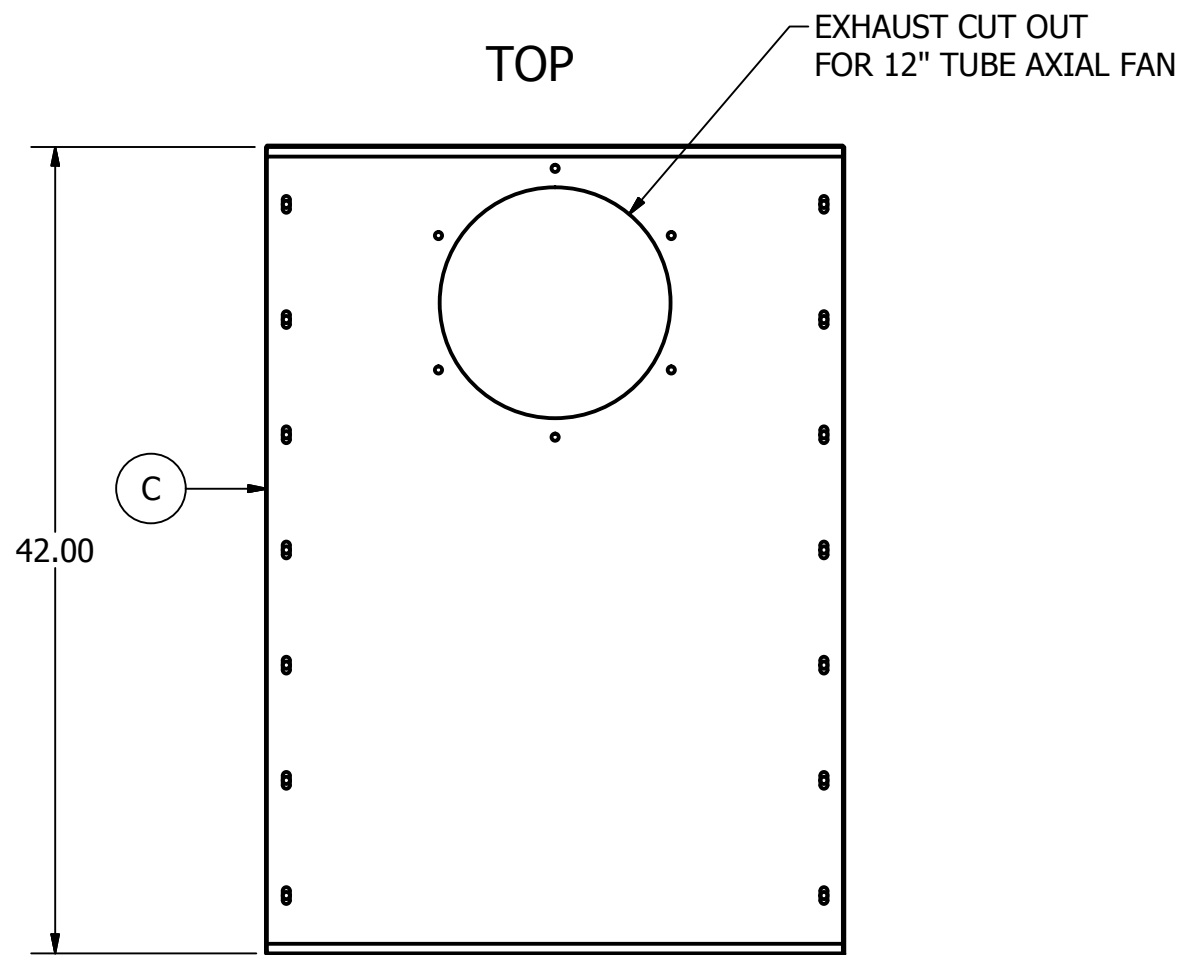


PARTS LIST		
ITEM	QTY	PART NUMBER
A	4	42 TRIM
B	2	30 X 42
C	1	42 X 30 FAN
D	1	42 X 30
E	2	VERTICAL PLENUM
F	1	30 X 34
G	2	HORIZONTAL PLENUM
H	1	30 FIREGUARD



PLENUM COSISTS OF:
 2 - HORIZONTAL PLENUM PANELS
 2 - VERTICAL PLENUM PANELS

FASTEN PLENUM PANELS TO SIDE WALLS USING SELF DRILLING SCREWS. FRONT OF PLENUM IS 18.00"

DRAWN Tyler Cook	3/14/2013	JC METAL FABRICATION		
CHECKED		TITLE		
QA		2' 6" TABLE TOP BOOTH WITH LIGHT		
MFG		SIZE C	DWG NO	REV A
APPROVED		SCALE 1:10	TABLE TOP	
				SHEET 1 OF 1