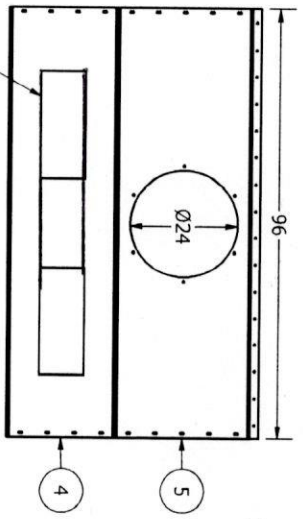
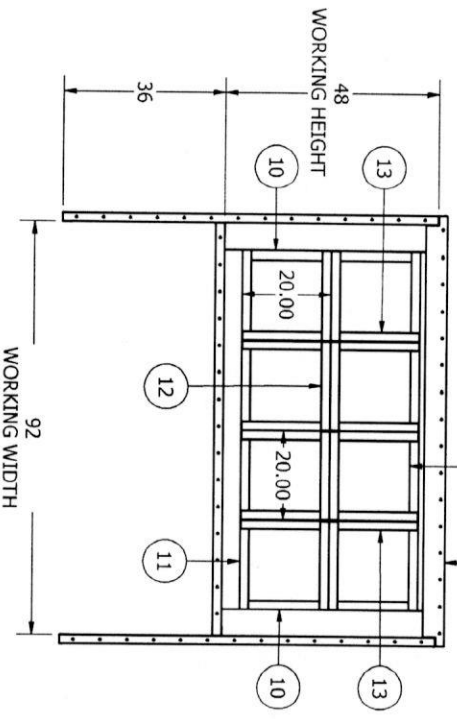


PARTS LIST		
ITEM	QTY	PART NUMBER
1	2	24 X 84
2	2	30 X 84
3	6	54 TRIM
4	1	24 X 96
5	1	30 X 96
6	2	26 X 96
7	1	24 X 92
8	1	30 X 92
9	1	96 FIRE GUARD
10	2	VERTICAL PLENUM PANEL
11	2	HORIZONTAL PLENUM PANEL
12	4	19.75 DIVIDER
13	3	39.75 DIVIDER
14	1	FRONT ELECTRICAL GUARD
15	2	SIDE ELECTRICAL GUARD

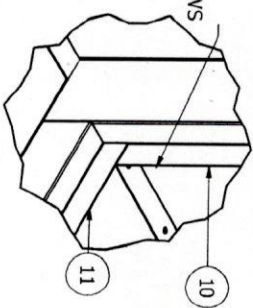


CUT OUT FOR LIGHT

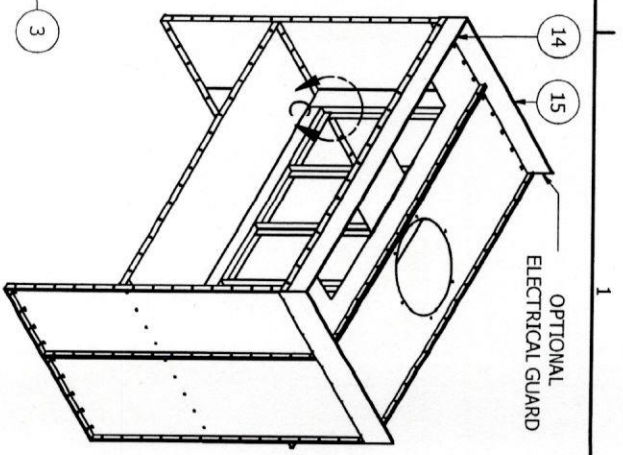
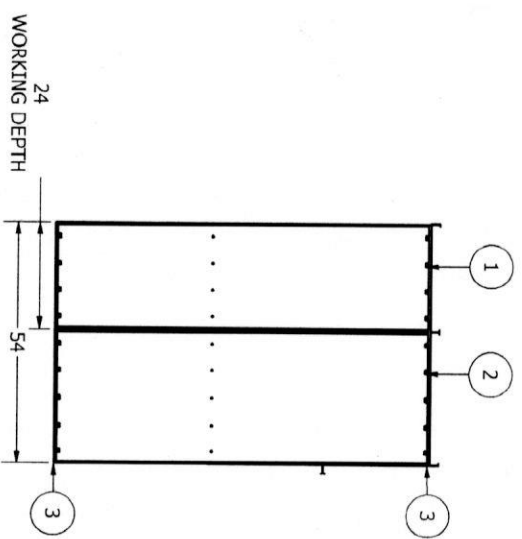


FASTEN USING SELF DRILLING SCREWS

EXAMPLE OF PLENUM PANEL CONNECTION



DETAIL C
SCALE 1/8



OPTIONAL ELECTRICAL GUARD

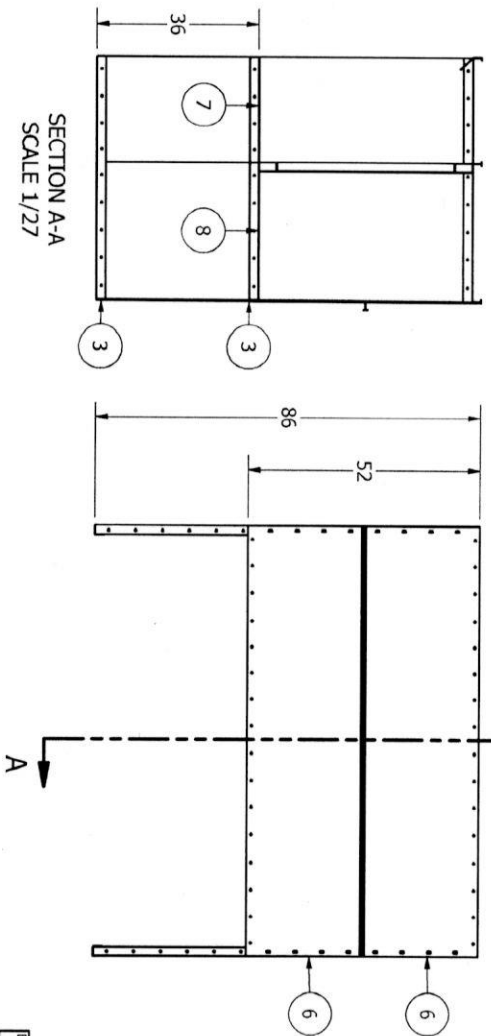
NOTES:
- ALL PANELS CONSTRUCTED FROM 18GA G90 GALVANIZED STEEL UNLESS OTHERWISE STATED

4 3 2 1

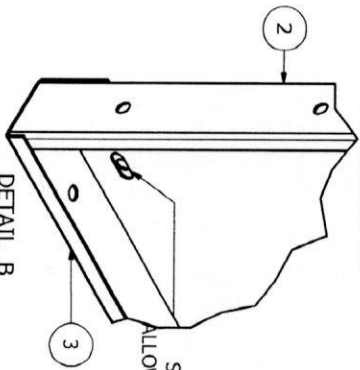
DESIGNED	7/15/2015	TITLE		JC METAL FABRICATTION
CHECKED		UNLESS OTHERWISE SPECIFIED		8' BENCH BOOTH
TOLERANCES:		SIZE	DWG NO	REV
2 PLACES ± .125		B	8' BENCH BOOTH	A
FRACTIONS ± .250		SCALE	1/27	SHEET 1 OF 2
THIRD ANGLE PROJECTION				

PARTS LIST		
ITEM	QTY	PART NUMBER
1	2	24 X 84
2	2	30 X 84
3	6	54 TRIM
4	1	24 X 96
5	1	30 X 96
6	2	26 X 96
7	1	24 X 92
8	1	30 X 92
9	1	96 FIRE GUARD
10	2	VERTICAL PLENUM PANEL
11	2	HORIZONTAL PLENUM PANEL
12	4	19.75 DIVIDER
13	3	39.75 DIVIDER
14	1	FRONT ELECTRICAL GUARD
15	2	SIDE ELECTRICAL GUARD

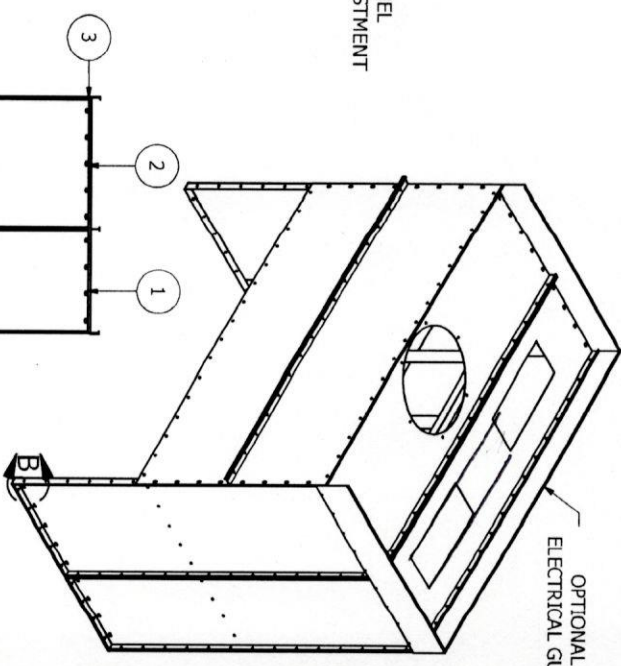
CUT AWAY VIEW SHOWING SHELF
PANELS AND TRIM



SECTION A-A
SCALE 1/27



DETAIL B
SCALE 1/3



PRE-DRILLED MOUNTING
HOLES FOR SHELF

NOTES:
- ALL PANELS CONSTRUCTED FROM 18GA G90 GALVANIZED STEEL UNLESS OTHERWISE STATED

DRAWN	7/15/2015	TITLE	
CHECKED		JC METAL FABRICATION	
UNLESS OTHERWISE SPECIFIED DIMENSIONS ARE IN INCHES		SIZE	DWG NO
TOLERANCES:		B	8' BENCH BOOTH
2 PLACES ± .125		SCALE	8' BENCH BOOTH
FRACTIONS ± .250		1/27	
		SHEET 2 OF 2	
		REV	A