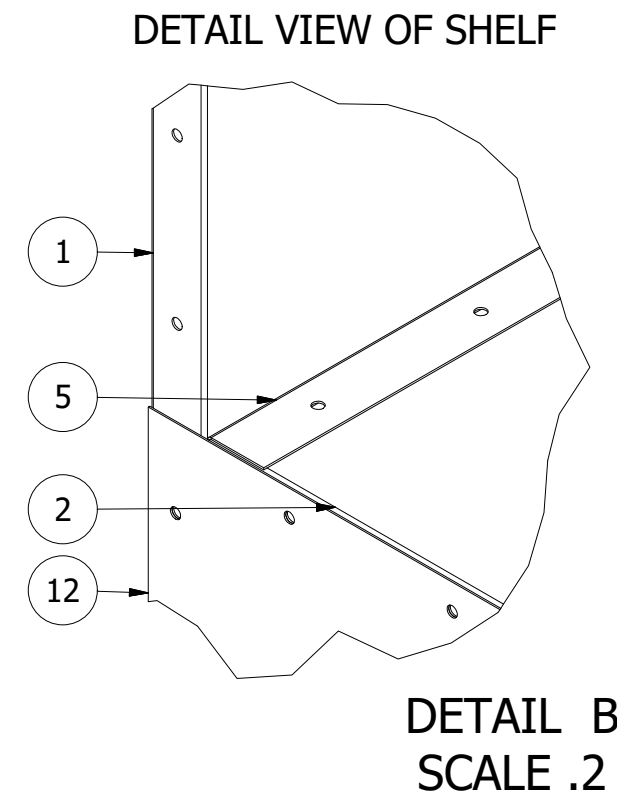
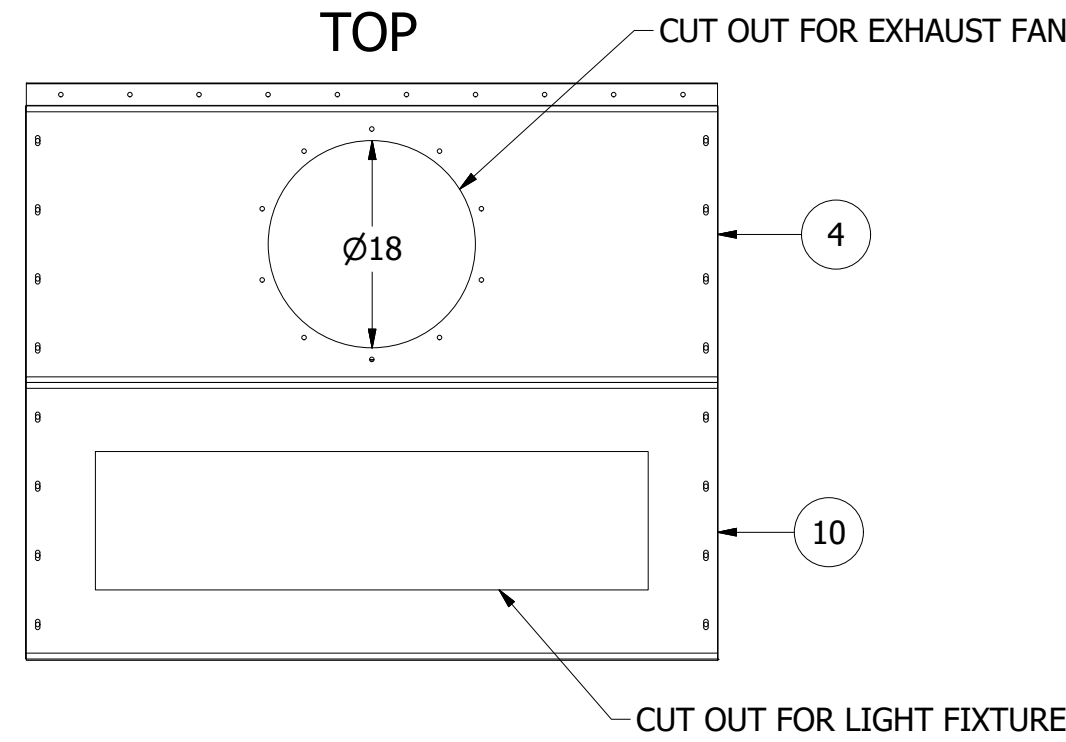
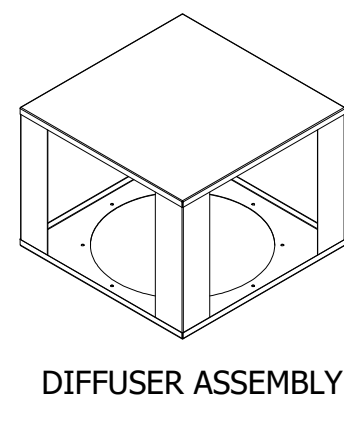
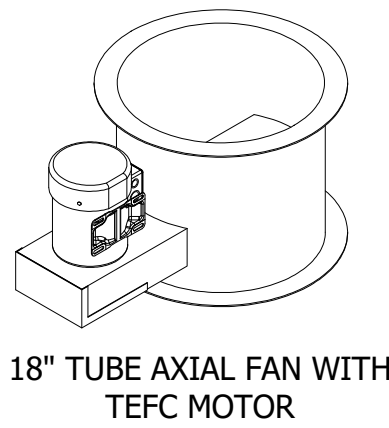
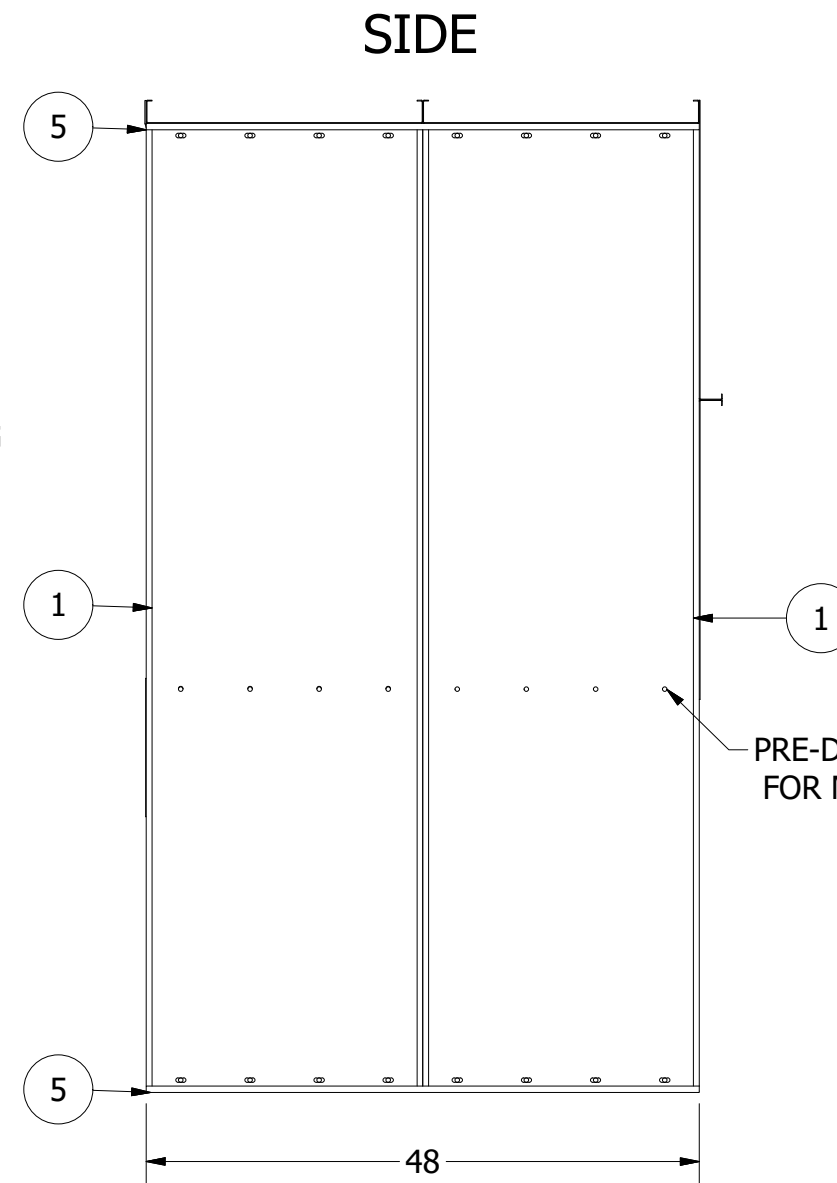
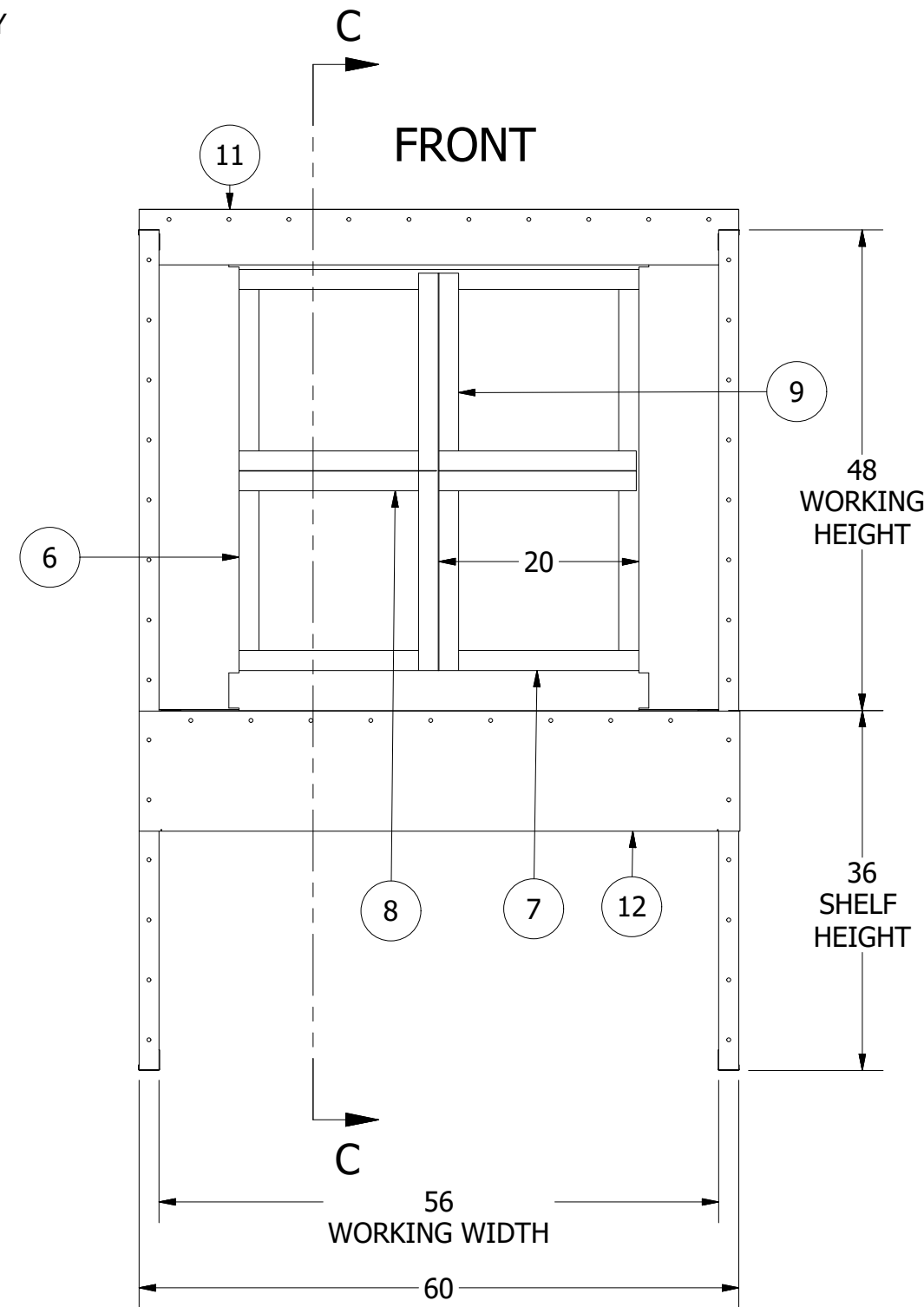
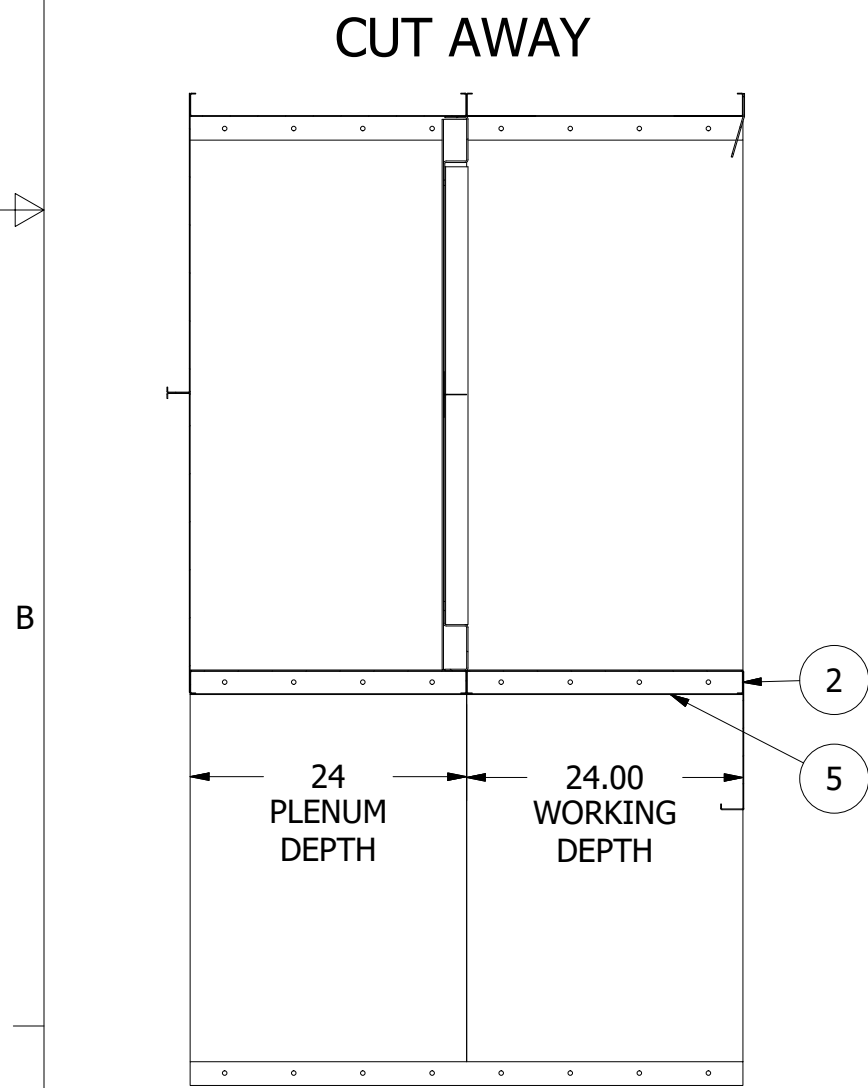
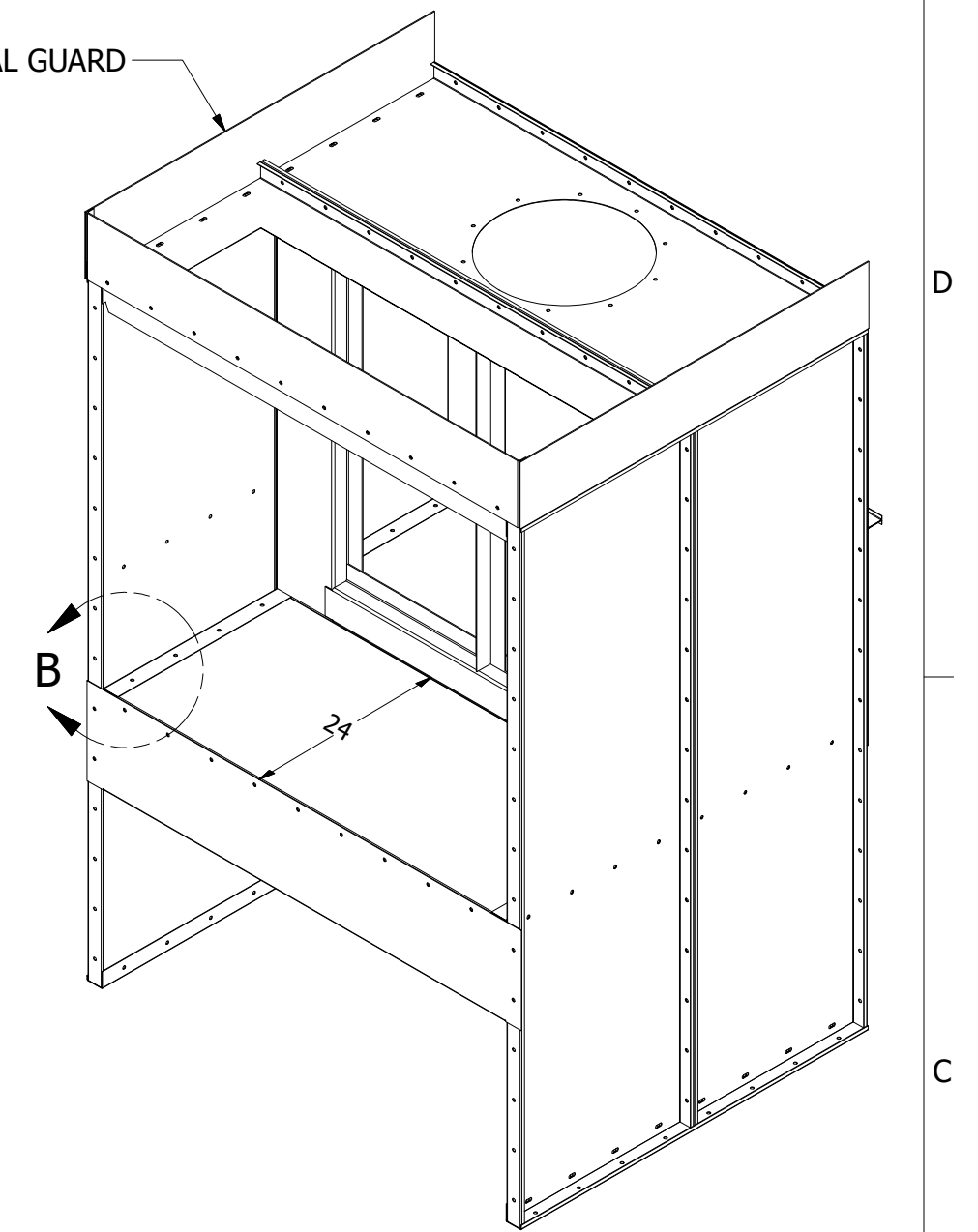


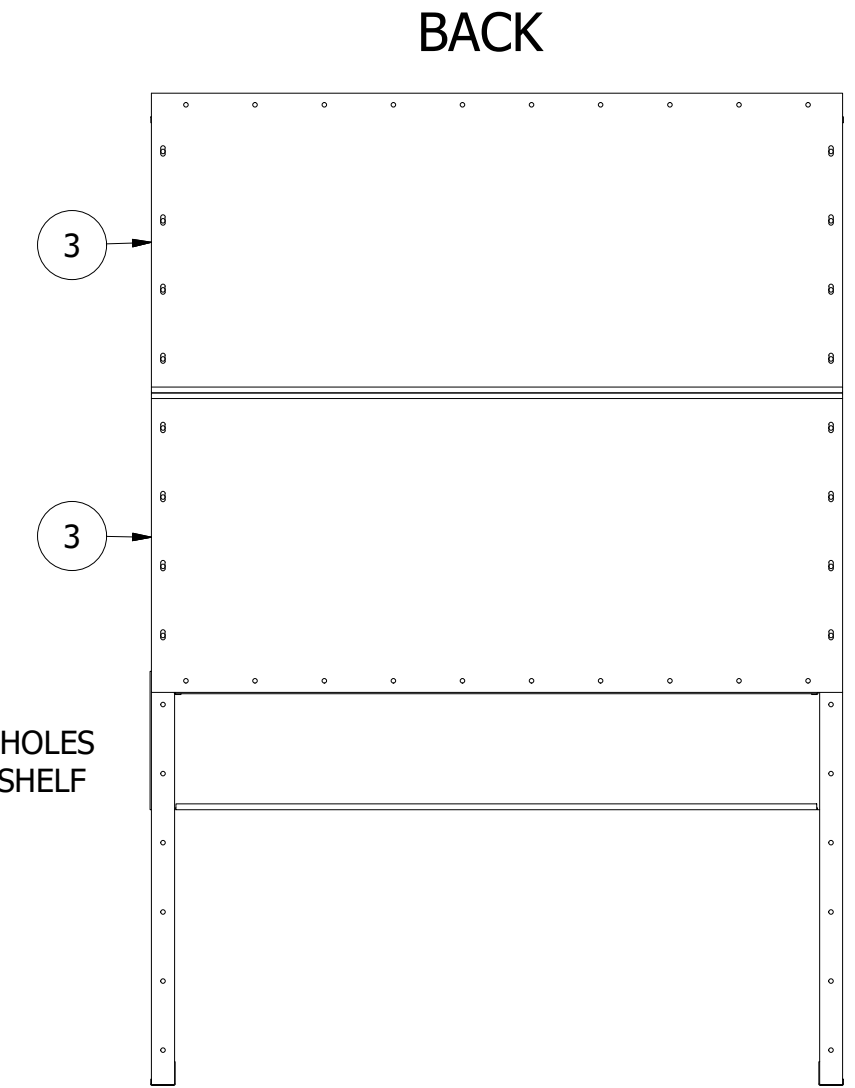
PARTS LIST		
ITEM	QTY	PART NUMBER
1	4	24 X 84
2	2	24 X 56
3	2	26 X 60
4	1	24 X 60 FAN
5	6	48 TRIM
6	2	VERTICAL PLENUM
7	2	HORIZONTAL PLENUM
8	2	19.75 DIVIDER
9	1	39.75 DIVIDER
10	1	24 X 60 LIGHT
11	1	60 FIRE GUARD
12	1	12 X 60
13	1	FRONT GUARD
14	2	SIDE GUARD



OPTIONAL ELECTRICAL GUARD



PRE-DRILLED HOLES FOR MOUNG SHELF



ALL PANELS CONSTRUCTED FROM 18GA G90 GALVANIZED STEEL

INCLUDED HARDWARE:

- 4 - 20" X 20" FILTER HOLDING GRIDS
- 1 - DYWER MARK 2 MANOMETER
- 8 - FILTERS
- 1 - 18" TUBE AXIAL EXHAUST FANCFM
- 1 - 4' 4 BULB FLORESCENT LIGHT FIXTURE WITH BULBS

PLENUM INSTRUCTIONS:

INSTALL VERTICAL PLENUM PANELS TO SIDE WALLS USING SELF DRILLING SCREWS. THEN FASTEN HORIZONTAL PLENUM PANELS TO VERTICAL PLENUM PANELS. LASTLY FASTEN DIVIDERS TO PLENUM PANELS SPACING 20.00" APART ON CENTER AS SHOWN.

DRAWN TCOOK	3/8/2016	JC METAL FABRICATION		
CHECKED		TITLE JCBBNRP-5		
QA		SIZE C	DWG NO JCBBNRP-5	REV A
MFG		SCALE .06		
APPROVED				SHEET 1 OF 1