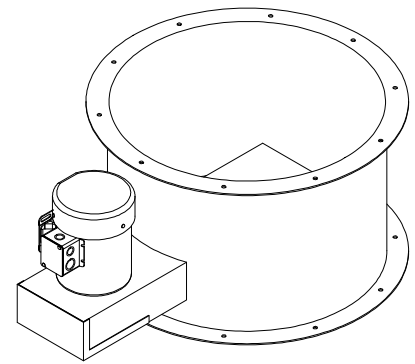
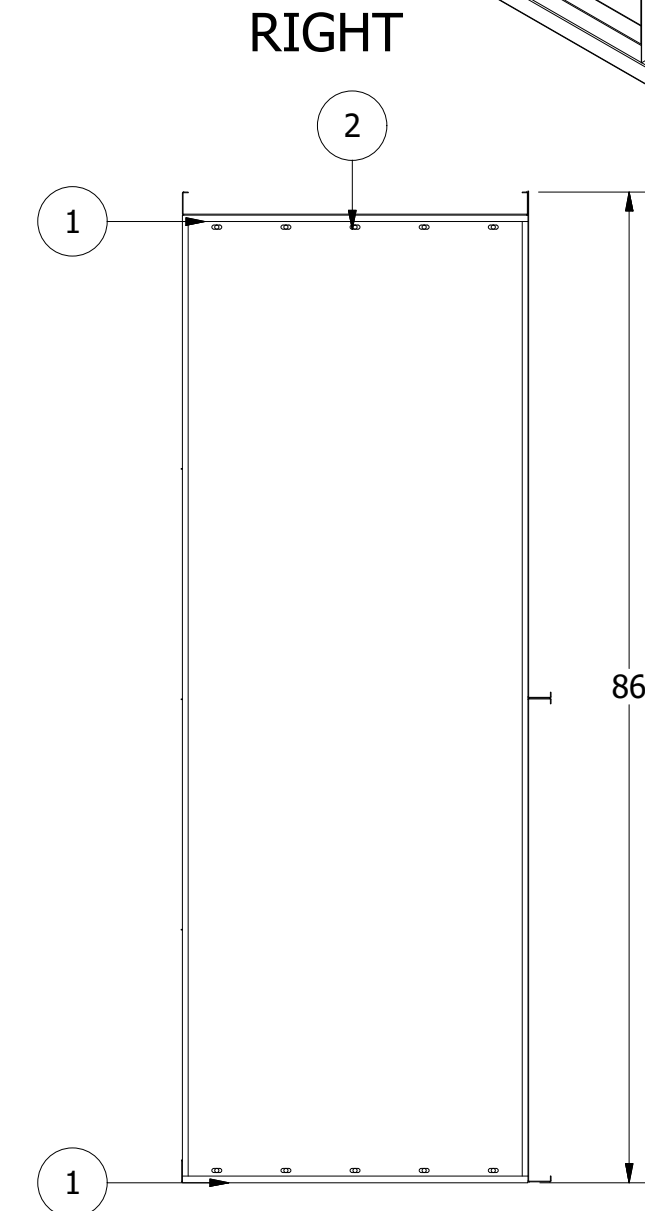
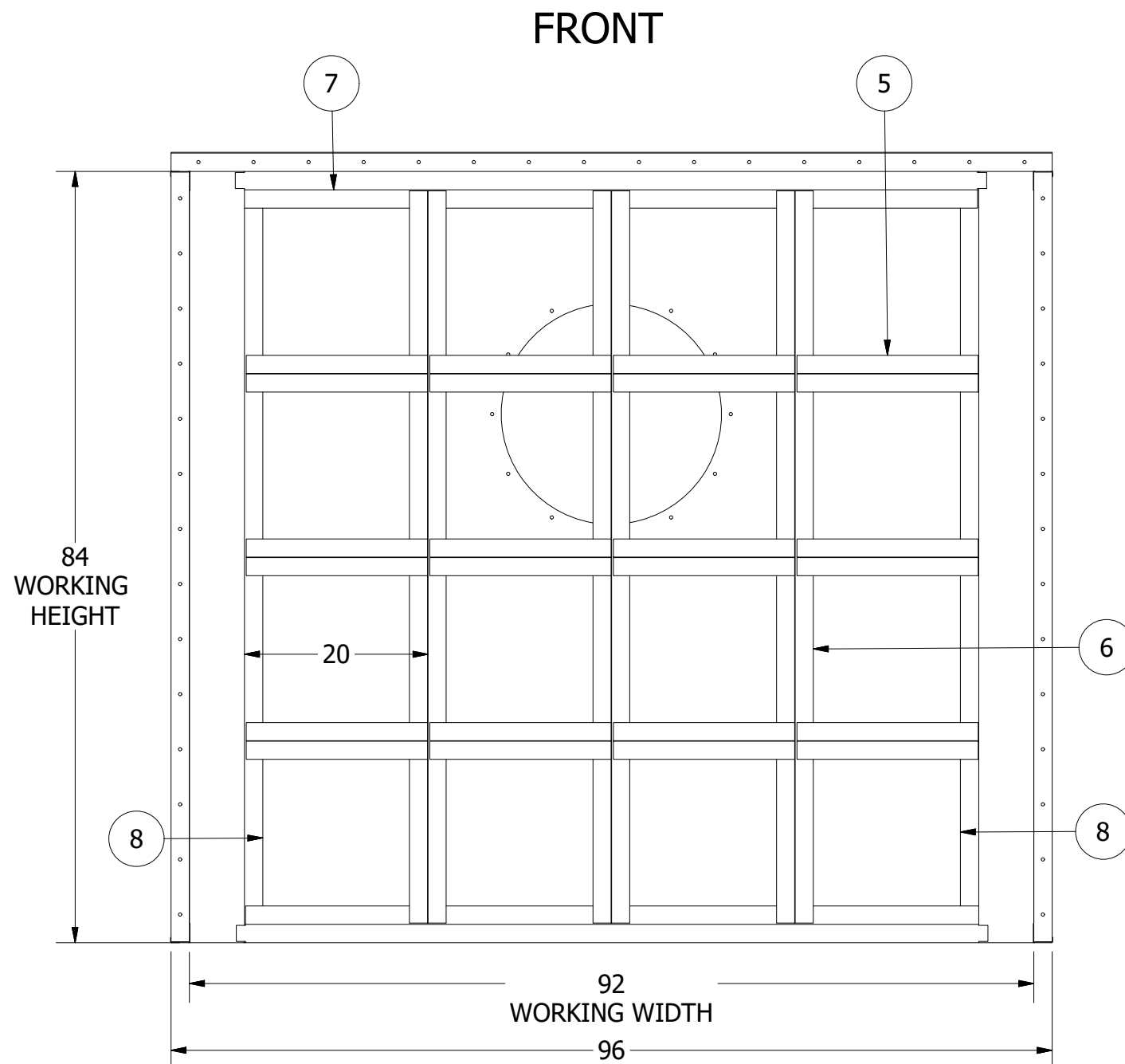
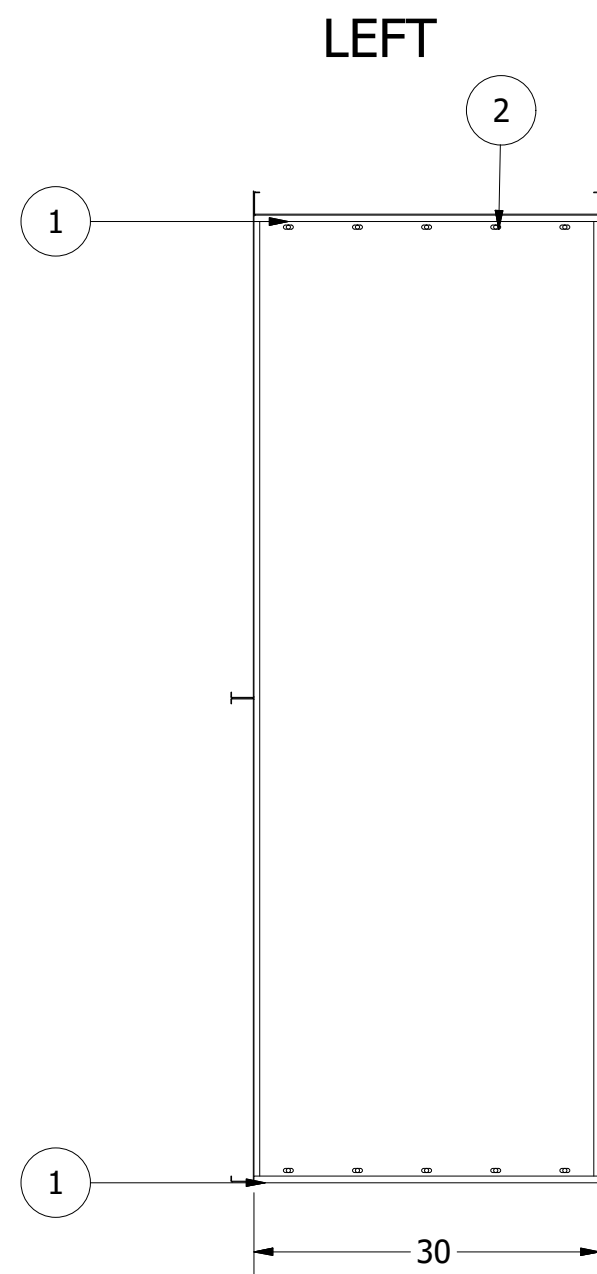
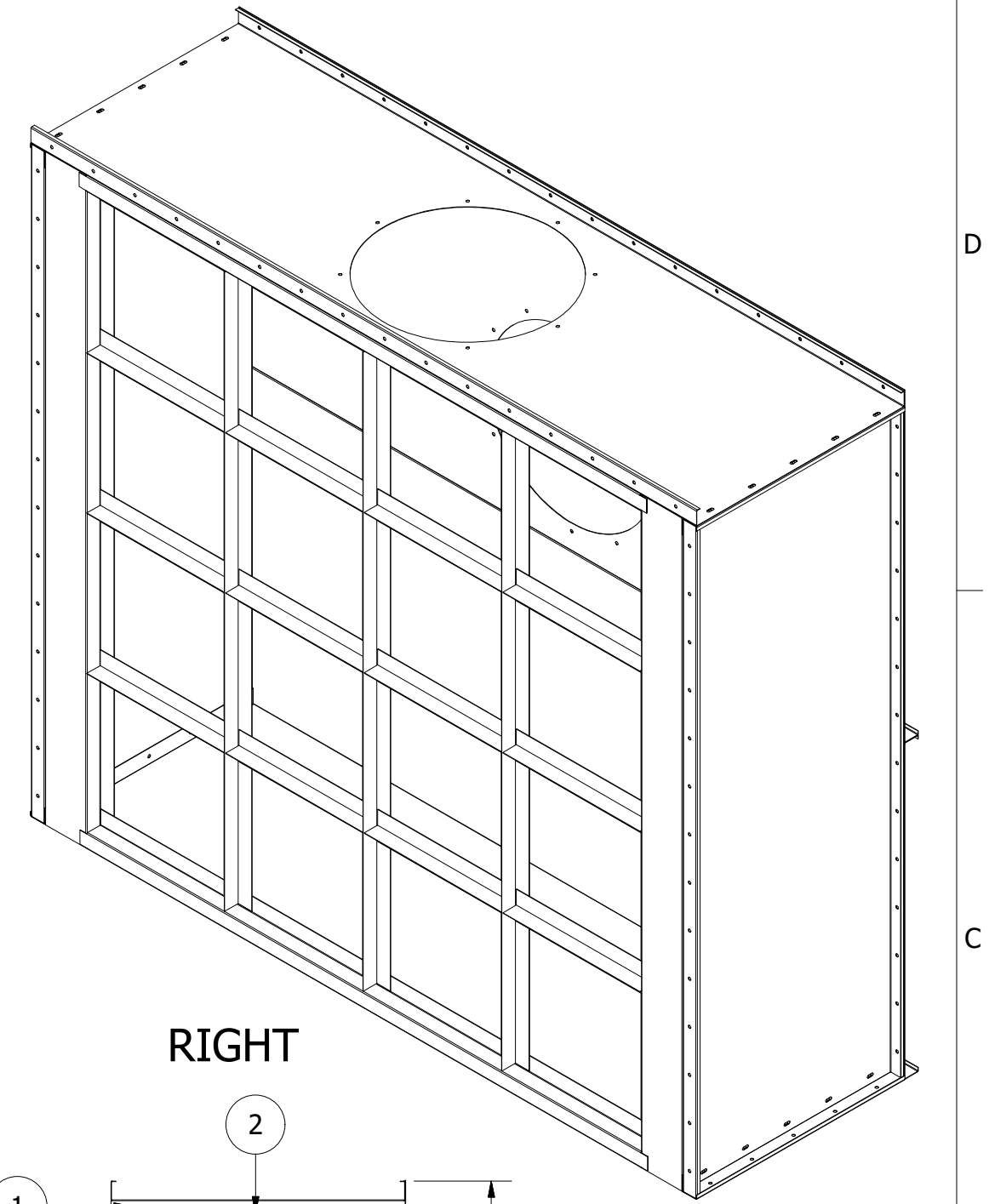
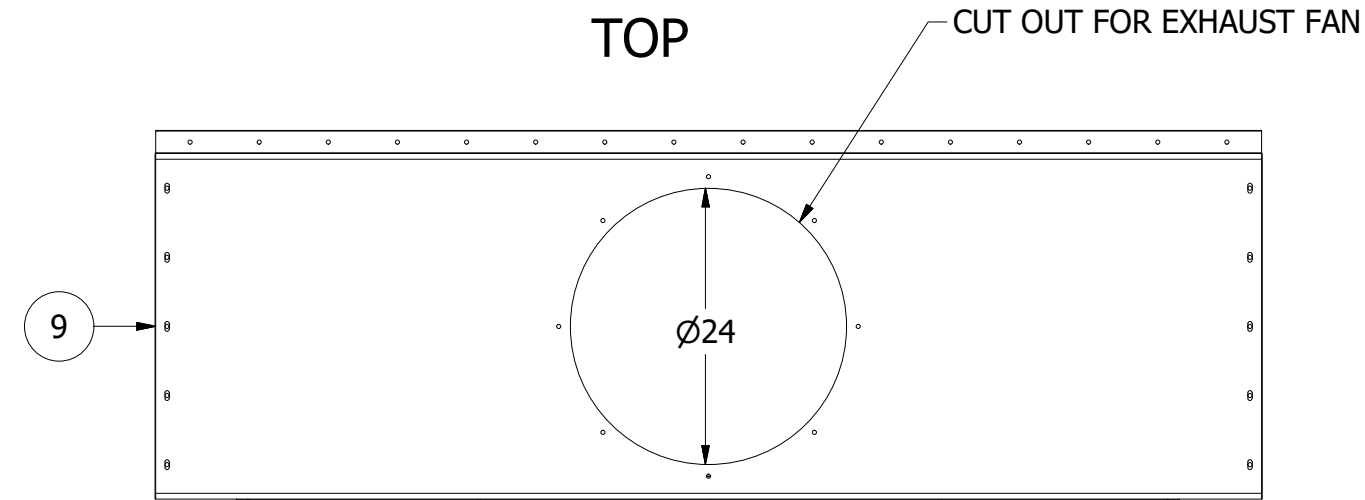


PARTS LIST		
ITEM	QTY	PART NUMBER
1	4	30 TRIM
2	2	30 X 84
3	1	42 X 96
4	1	44 X 96
5	12	19.75 DIVIDER
6	3	79.75 DIVIDER
7	2	HORIZONTAL PLENUM
8	2	VERTICAL PLENUM
9	1	30 X 96

NOTE: EXHAUST WALL MAY BE VENTED WITH STANDARD ROOF EXHAUST OR OPTIONAL REAR EXHAUST



24" TUBE AXIAL FAN WITH TEFC MOTOR



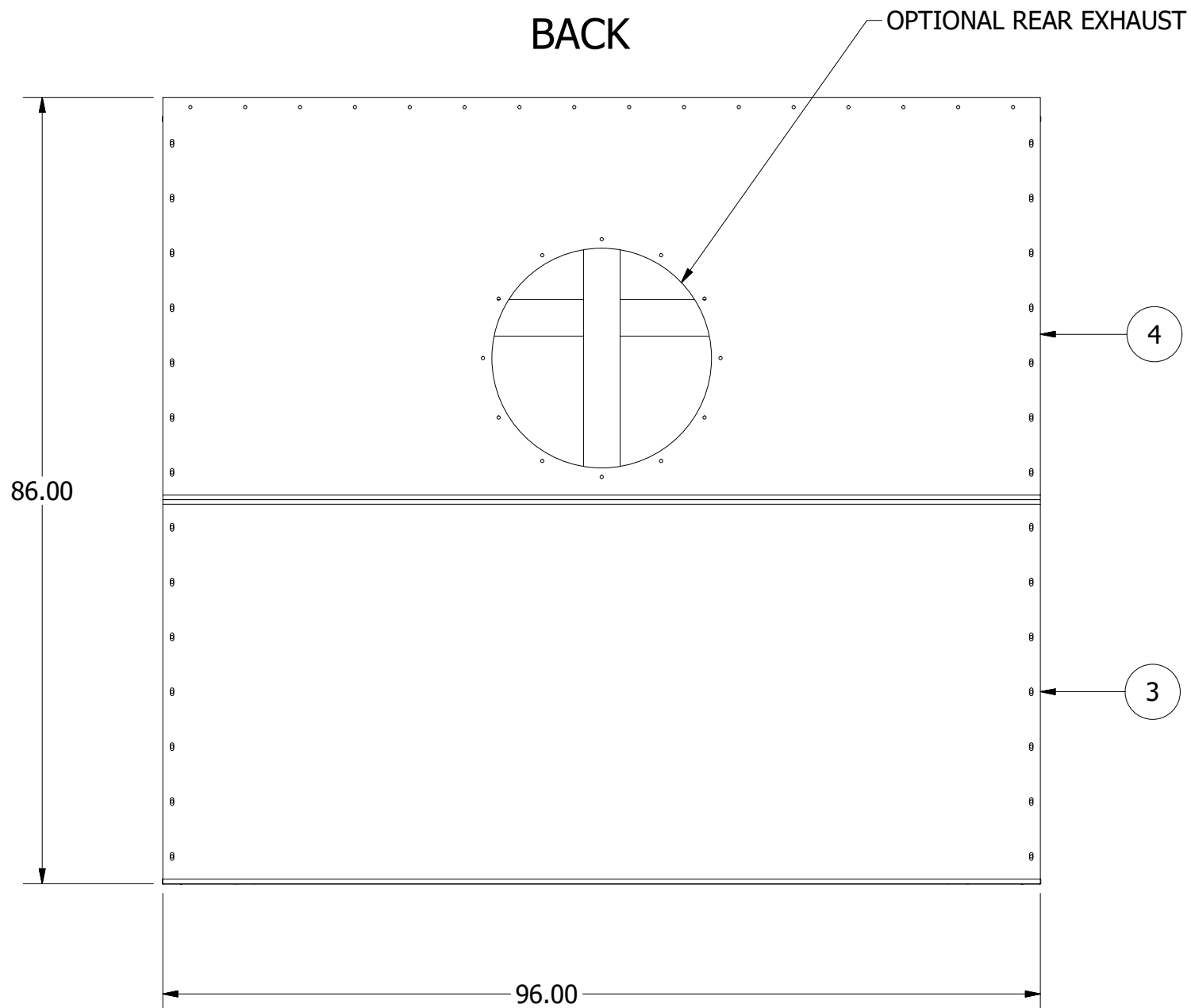
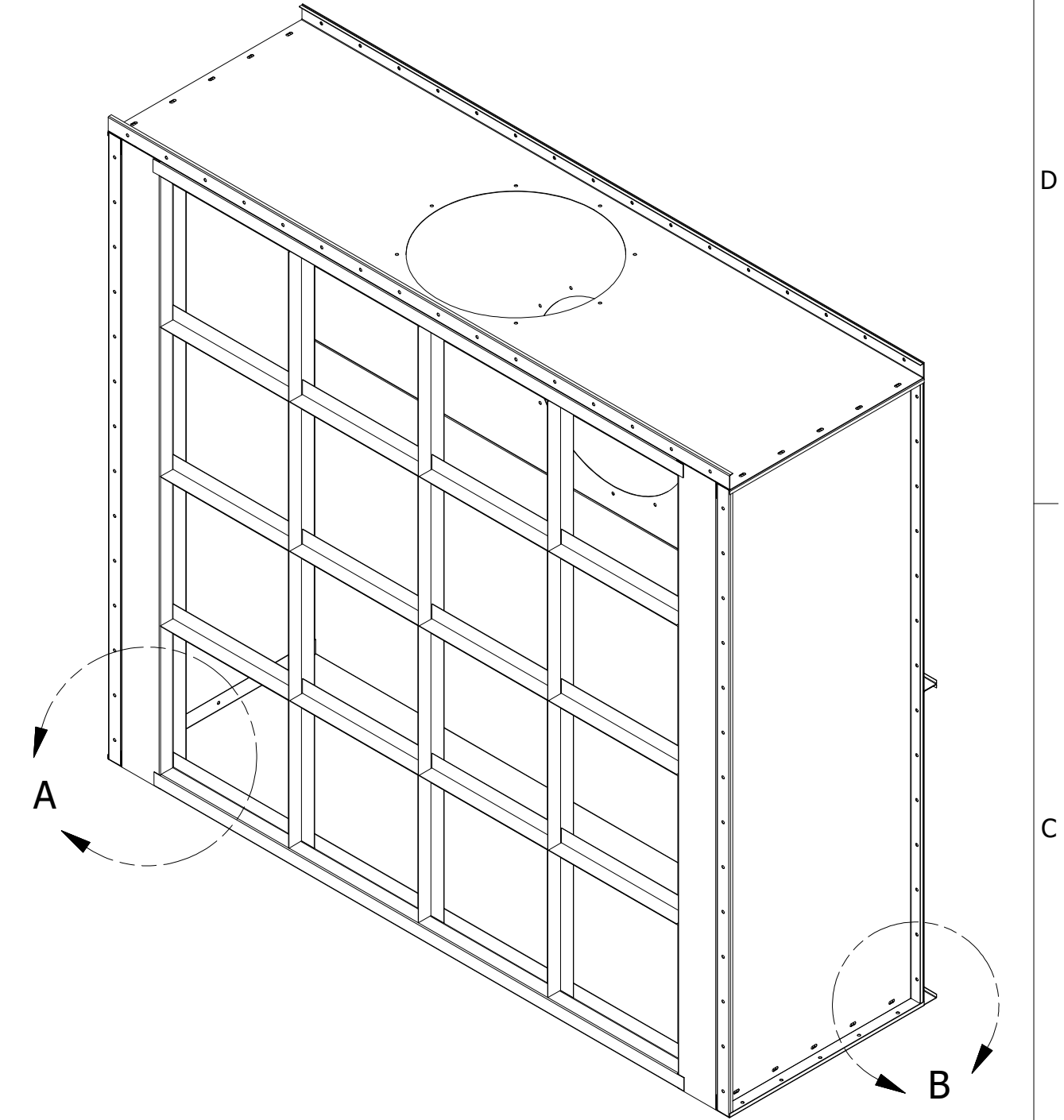
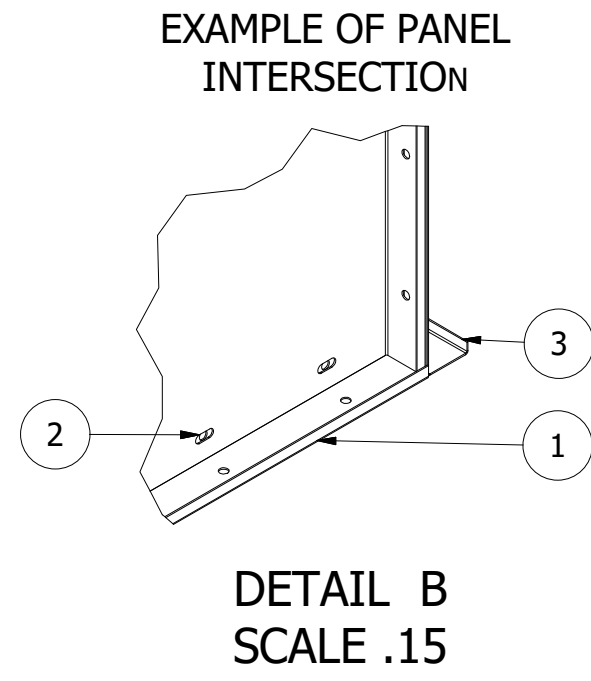
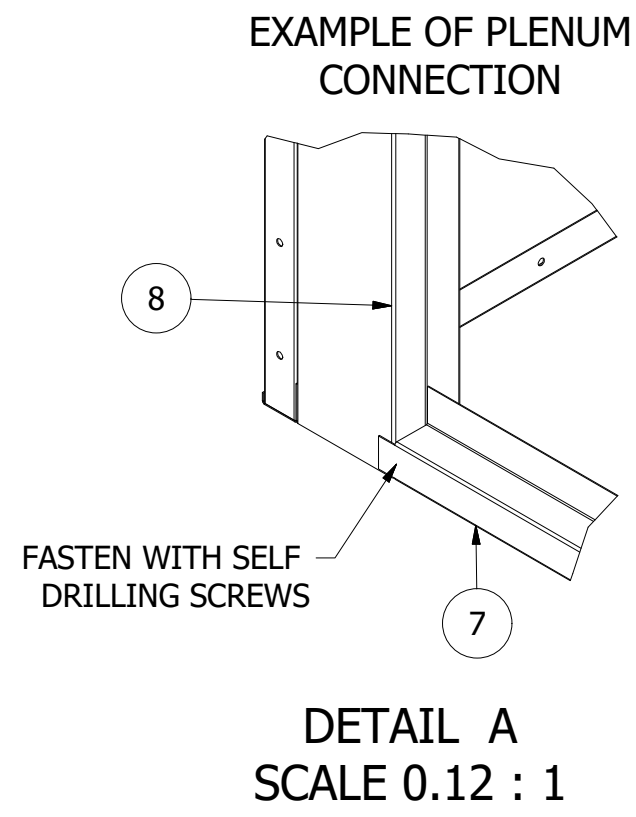
PLENUM CONSISTS OF:
 2- HORIZONTAL PLENUM PANELS
 2- VERTICAL PLENUM PANELS
 3 - "T" DIVIDERS 79.75" LENGTH
 12- "T" DIVIDERS 19.75" LENGTH

GRID WORK IS SPACED 20.00" ON CENTER AND FASTENED WITH SELF DRILLING SCREWS

ALL PANELS CONSTRUCTED FROM 18GA G90 GALVANIZED STEEL

DRAWN TCOOK	2/18/2016	JC METAL FABRICATION		
CHECKED		TITLE JCEW87		
QA		SIZE C	DWG NO JCEW87	REV A
MFG		SCALE .06		
APPROVED				SHEET 1 OF 2

PARTS LIST		
ITEM	QTY	PART NUMBER
1	4	30 TRIM
2	2	30 X 84
3	1	42 X 96
4	1	44 X 96
5	12	19.75 DIVIDER
6	3	79.75 DIVIDER
7	2	HORIZONTAL PLENUM
8	2	VERTICAL PLENUM
9	1	30 X 96



PLENUM CONSISTS OF:
 2- HORIZONTAL PLENUM PANELS
 2- VERTICAL PLENUM PANELS
 3 - "T" DIVIDERS 79.75" LENGTH
 12- "T" DIVIDERS 19.75" LENGTH

GRID WORK IS SPACED 20.00" ON CENTER AND FASTENED WITH SELF DRILLING SCREWS

DRAWN TCOOK	2/18/2016	JC METAL FABRICATION		
CHECKED		TITLE JCEW87		
QA				
MFG				
APPROVED				
		SIZE C	DWG NO JCEW87	REV A
		SCALE .06	SHEET 2 OF 2	