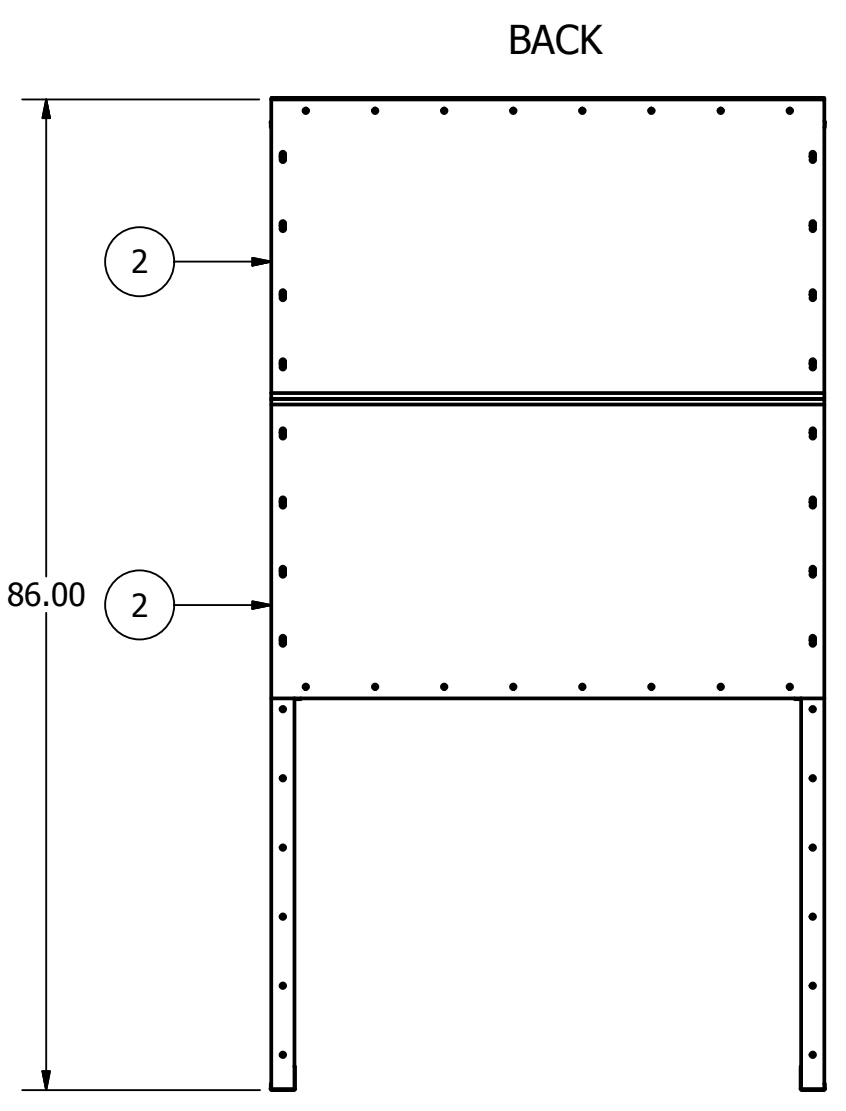
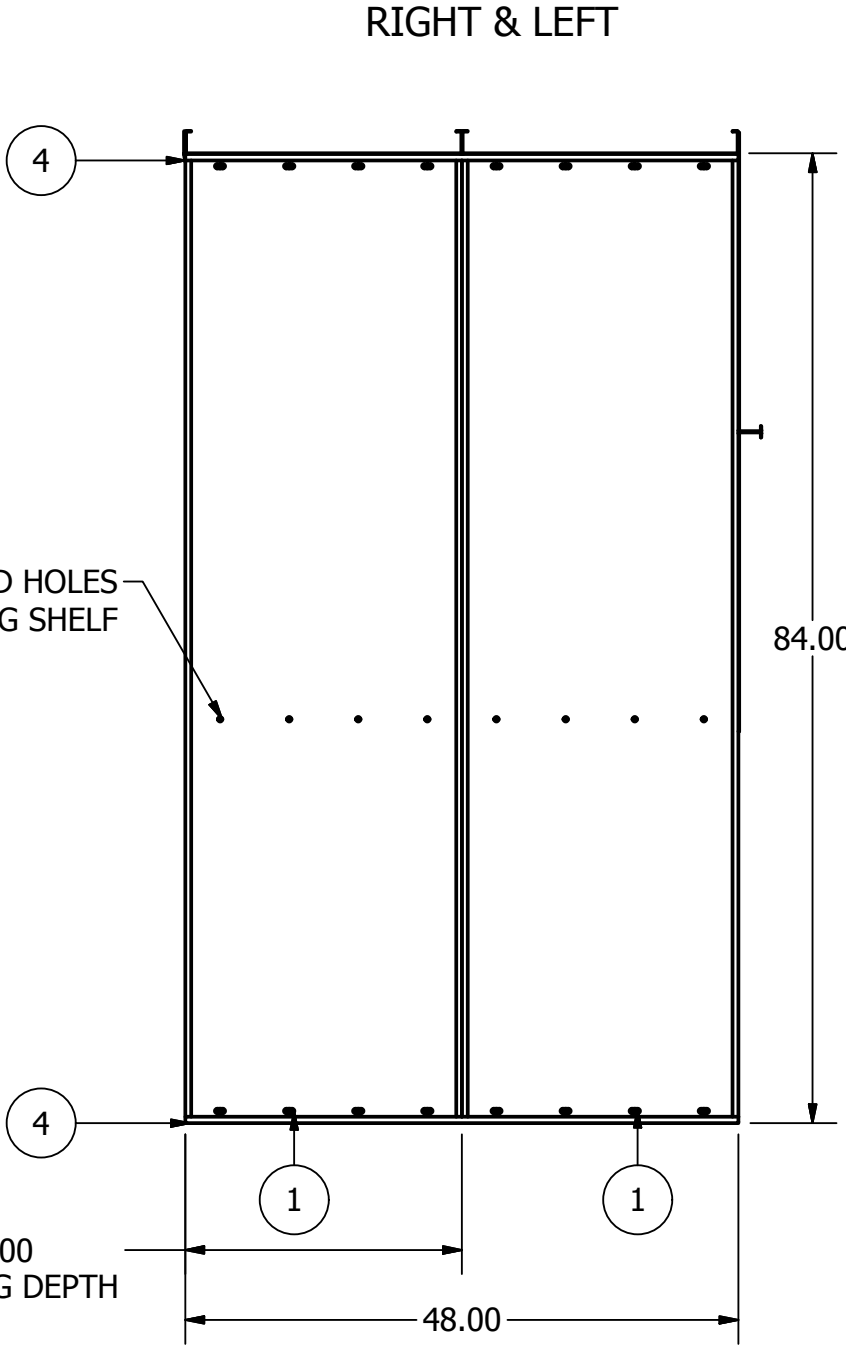
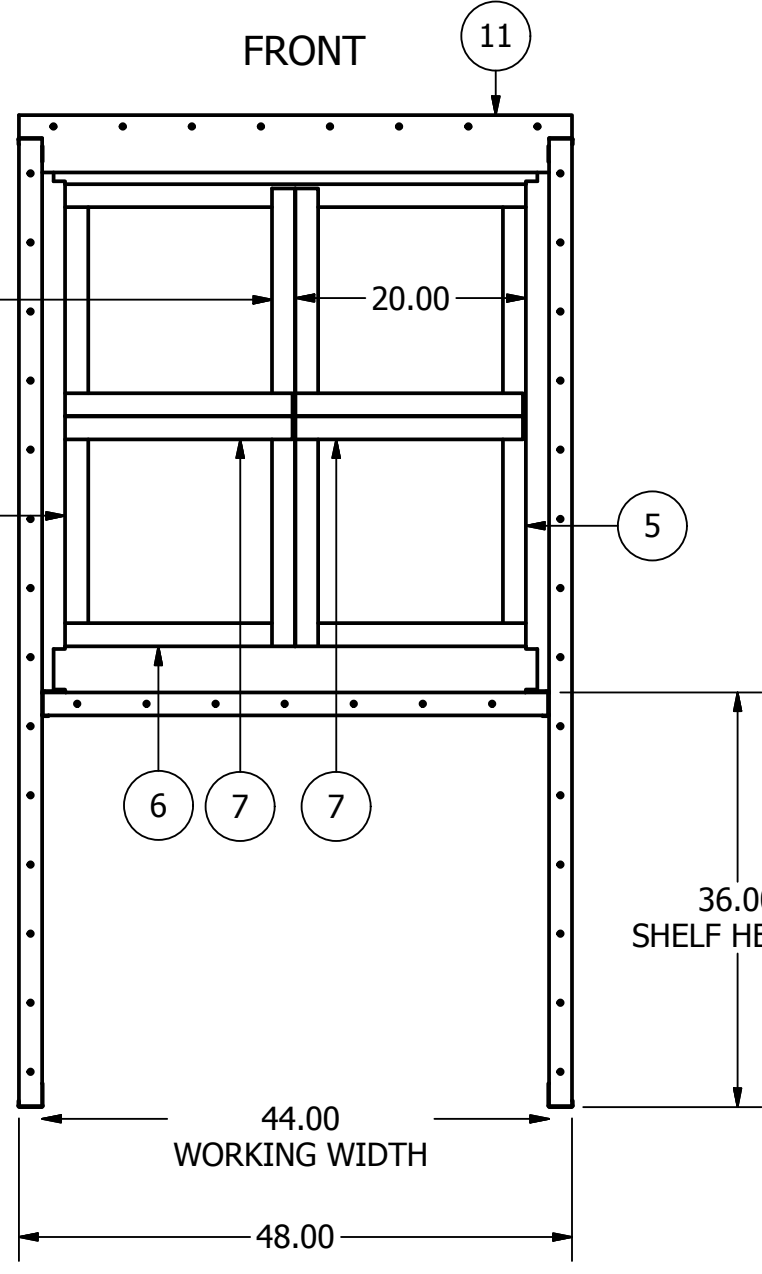
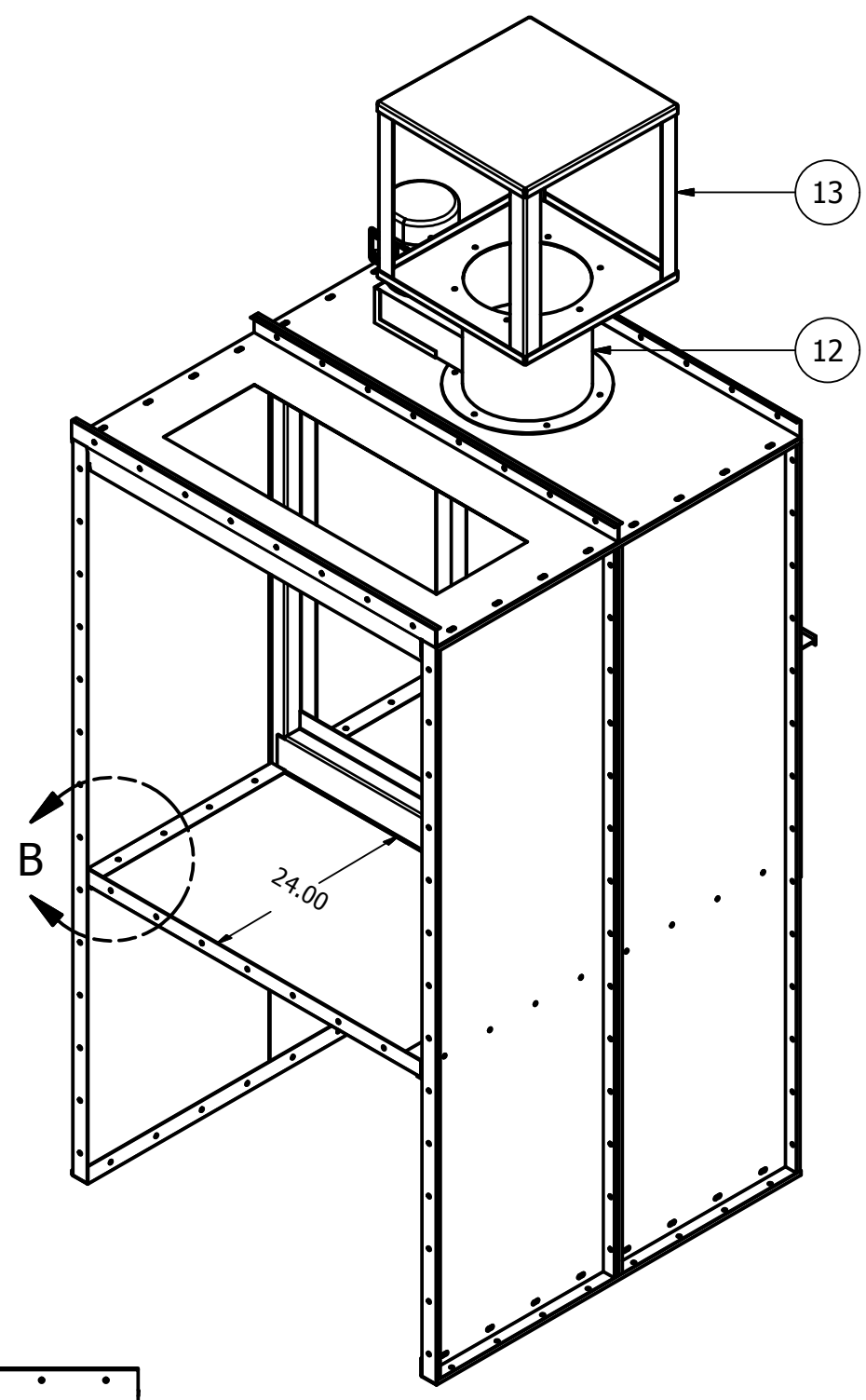
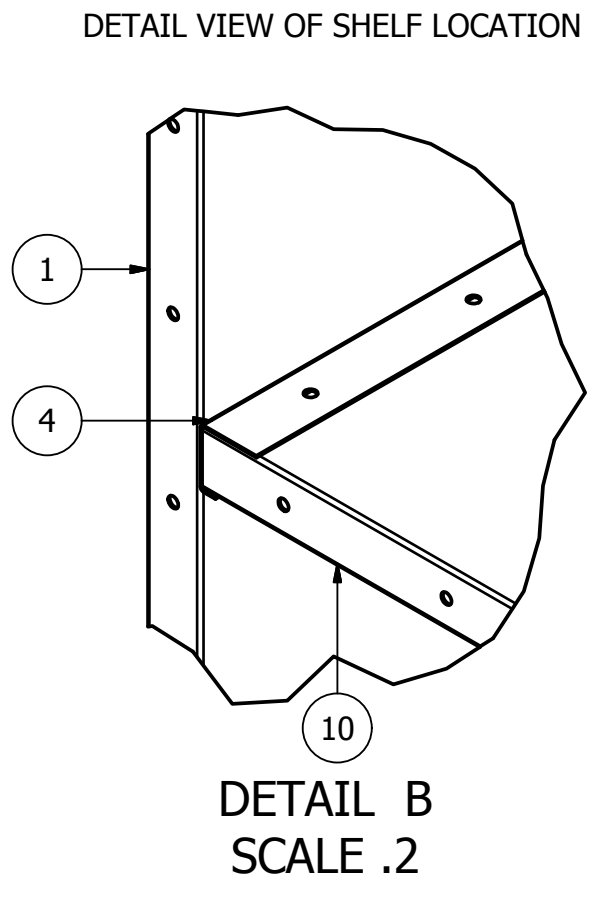
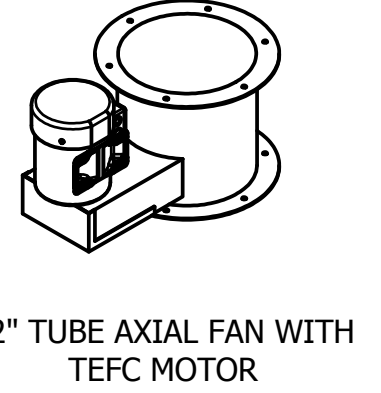
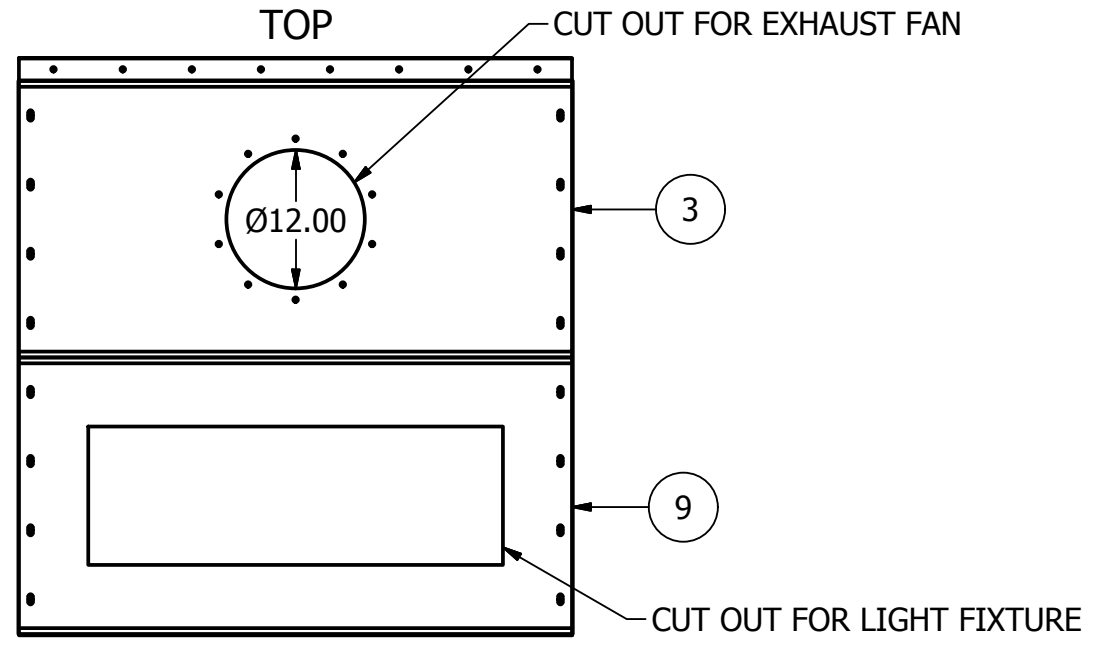


PARTS LIST		
ITEM	QTY	PART NUMBER
1	4	24 X 84
2	2	26 X 48
3	1	24 X 48 FAN
4	6	48 TRIM
5	2	VERTICAL PLENUM
6	2	HORIZONTAL PLENUM
7	2	19.75 DIVIDER
8	1	39.75 DIVIDER
9	1	24 X 48 LIGHT
10	2	24 X 44
11	1	48 FIREGUARD
12	1	12 FAN ASSEMBLY
13	1	FILTER BOX



- INCLUDED HARDWARE:**
- 4 - 20" X 20" FILTER HOLDING GRIDS
 - 1 - DYWER MARK 2 MANOMETER
 - 8 - FILTERS
 - 1 - 12" TUBE AXIAL EXHAUST FAN
 - 1 - 4 BULB FLORESCENT LIGHT FIXTURE WITH BULBS

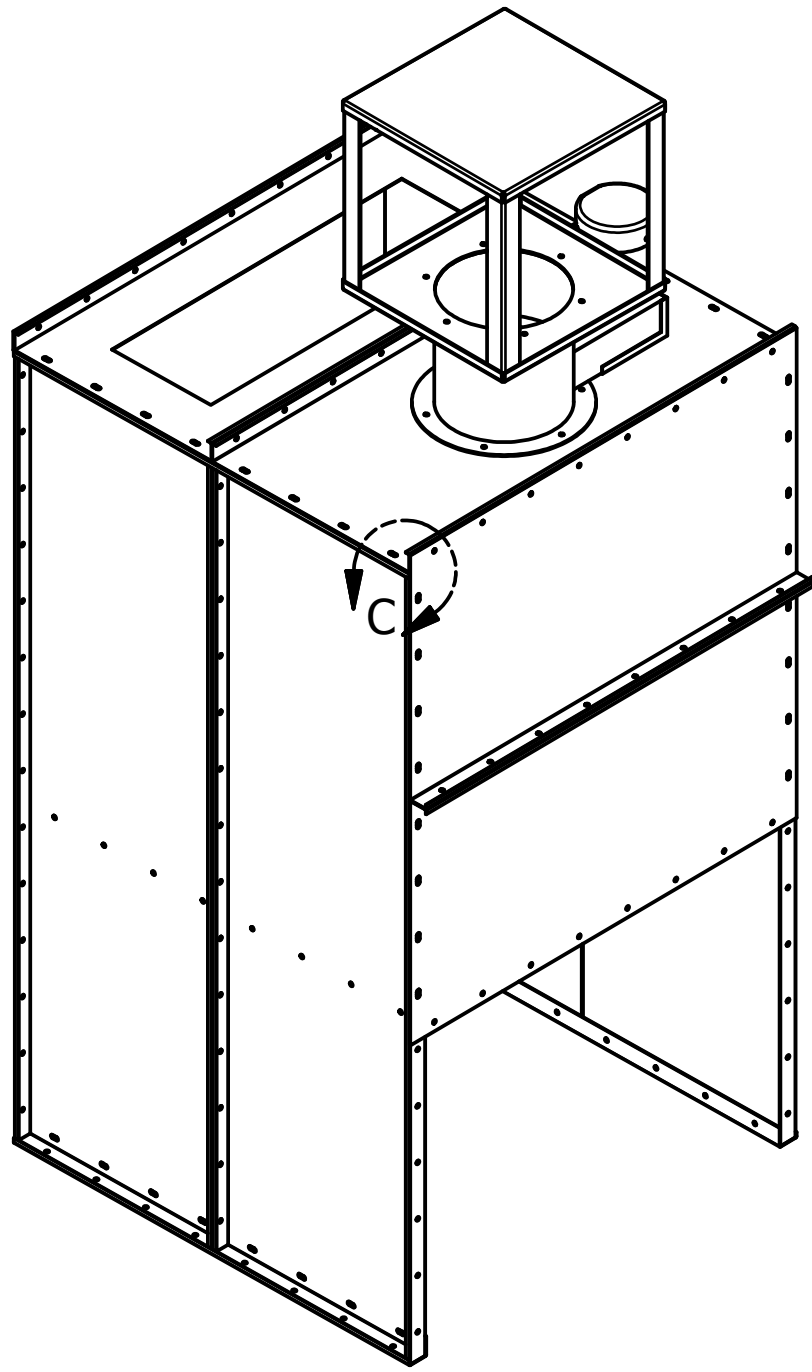
PLENUM INSTRUCTIONS:

INSTALL VERTICAL PLENUM PANELS TO SIDE WALLS USING SELF DRILLING SCREWS. THEN FASTEN HORIZONTAL PLENUM PANELS TO VERTICAL PLENUM PANELS. LASTLY FASTEN DIVIDERS TO PLENUM PANELS SPACING 20.00" APART ON CENTER AS SHOWN.

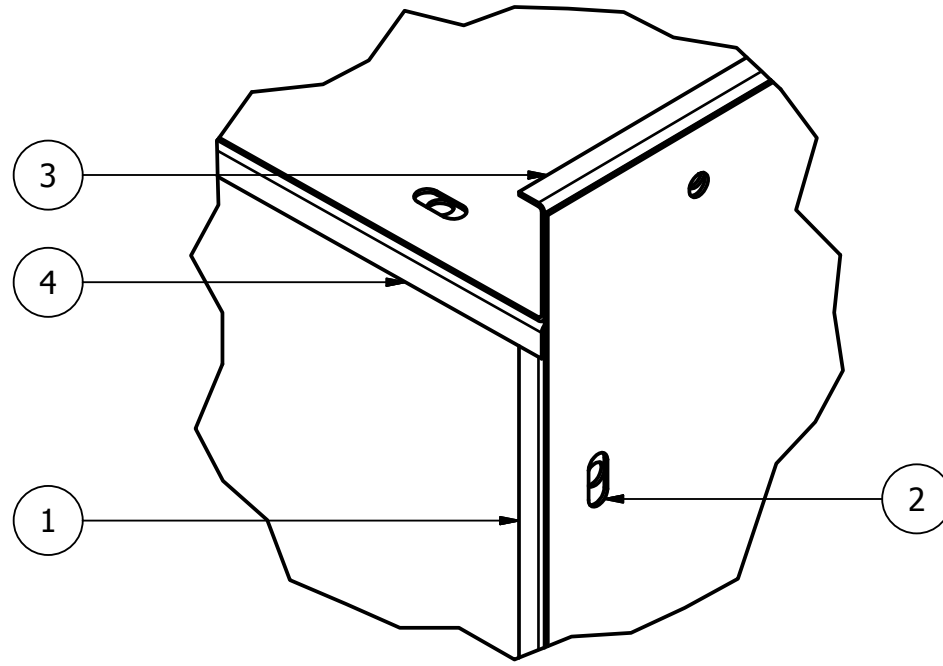
NOTE: ALL PANELS CONSTRUCTED FROM 18GA G90 GALVANIZED STEEL

DRAWN Tyler Cook	12/17/2014	JC METAL FABRICATION		
CHECKED				
QA		TITLE JCBBNRP4		
MFG		SIZE C	DWG NO JCBBNRP4	REV A
APPROVED		SCALE .07	SHEET 1 OF 2	

PARTS LIST		
ITEM	QTY	PART NUMBER
1	4	24 X 84
2	2	26 X 48
3	1	24 X 48 FAN
4	6	48 TRIM
5	2	VERTICAL PLENUM
6	2	HORIZONTAL PLENUM
7	2	19.75 DIVIDER
8	1	39.75 DIVIDER
9	1	24 X 48 LIGHT
10	2	24 X 44
11	1	48 FIREGUARD
12	1	12 FAN ASSEMBLY
13	1	FILTER BOX

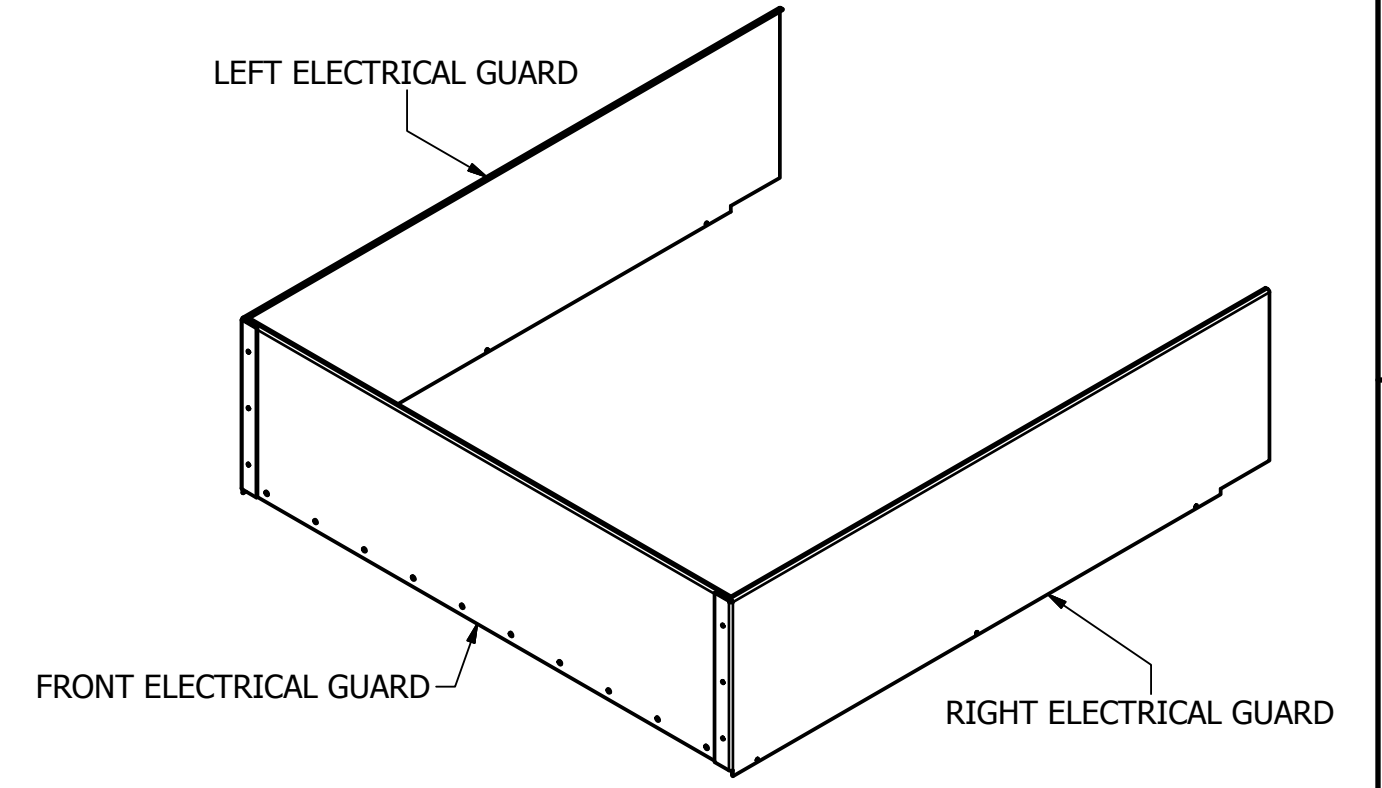


EXAMPLE OF BACK WALL
PANEL CONNECTION

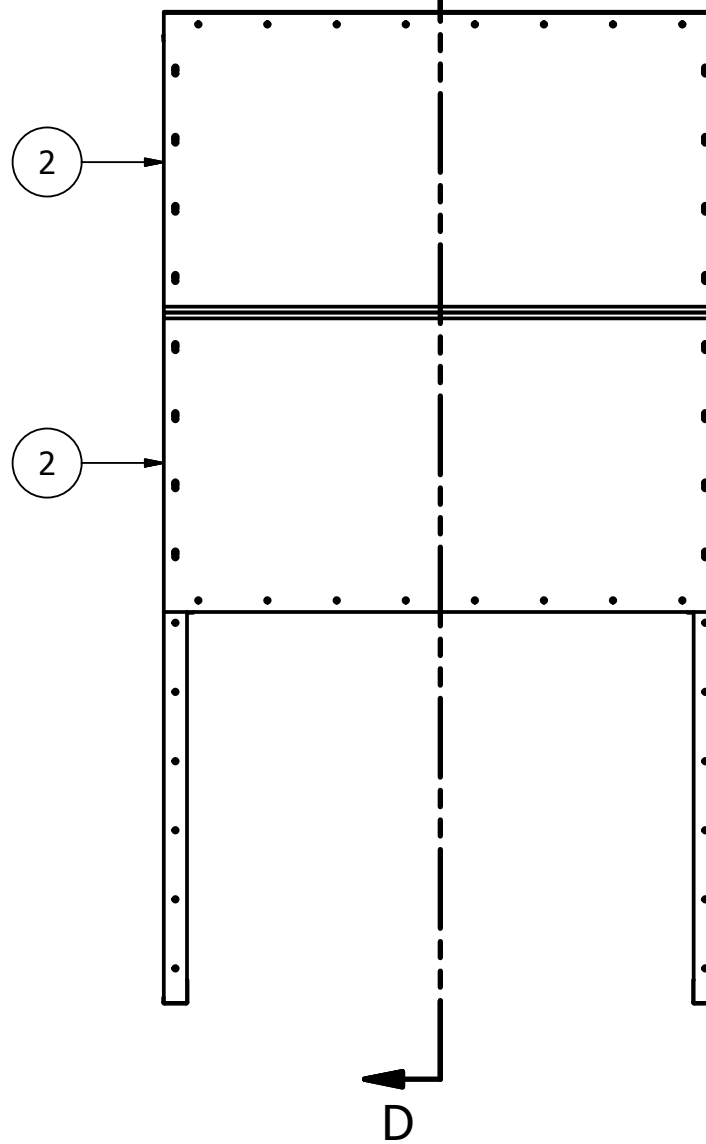


DETAIL C
SCALE .375

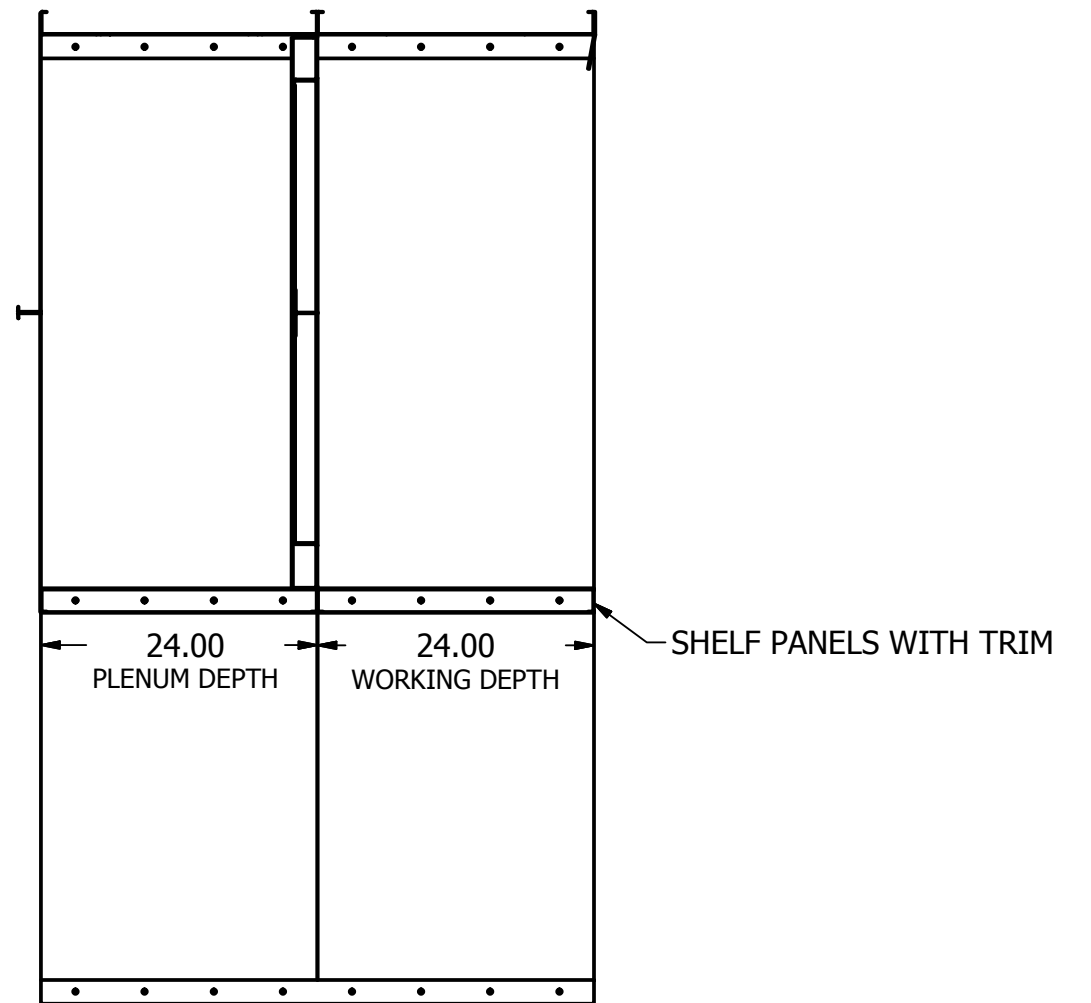
OPTIONAL ELECTRICAL GUARD



BACK
D



CUT AWAY VIEW
SHOWING PLENUM AREA



DRAWN Tyler Cook	CHECKED	SECTION D-D 12/17/2014 SCALE 0.06 : 1	JC METAL FABRICATION	
QA		TITLE		
MFG		SIZE C	DWG NO JCBBNRP4	REV
APPROVED		SCALE	SHEET 2 OF 2	