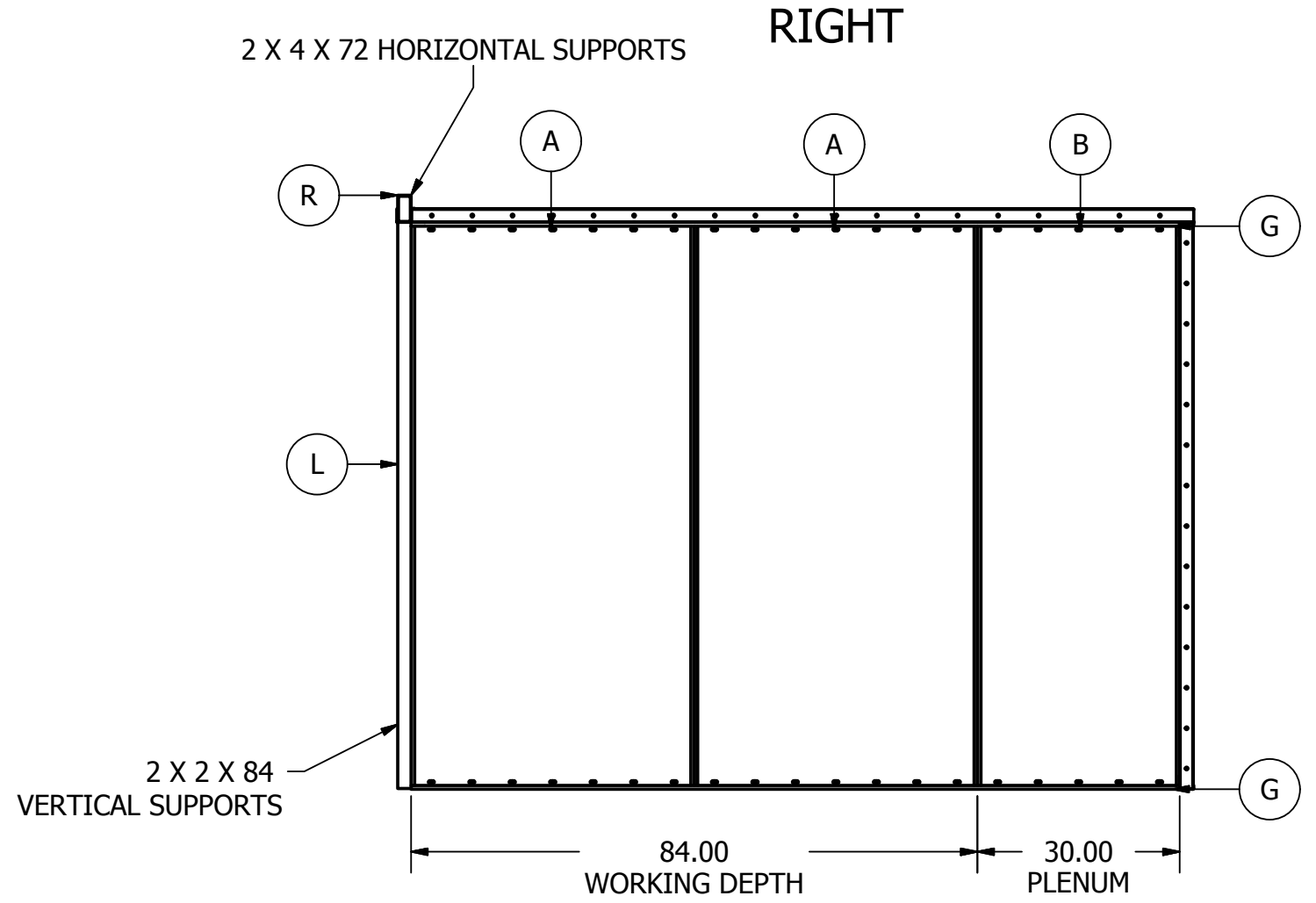
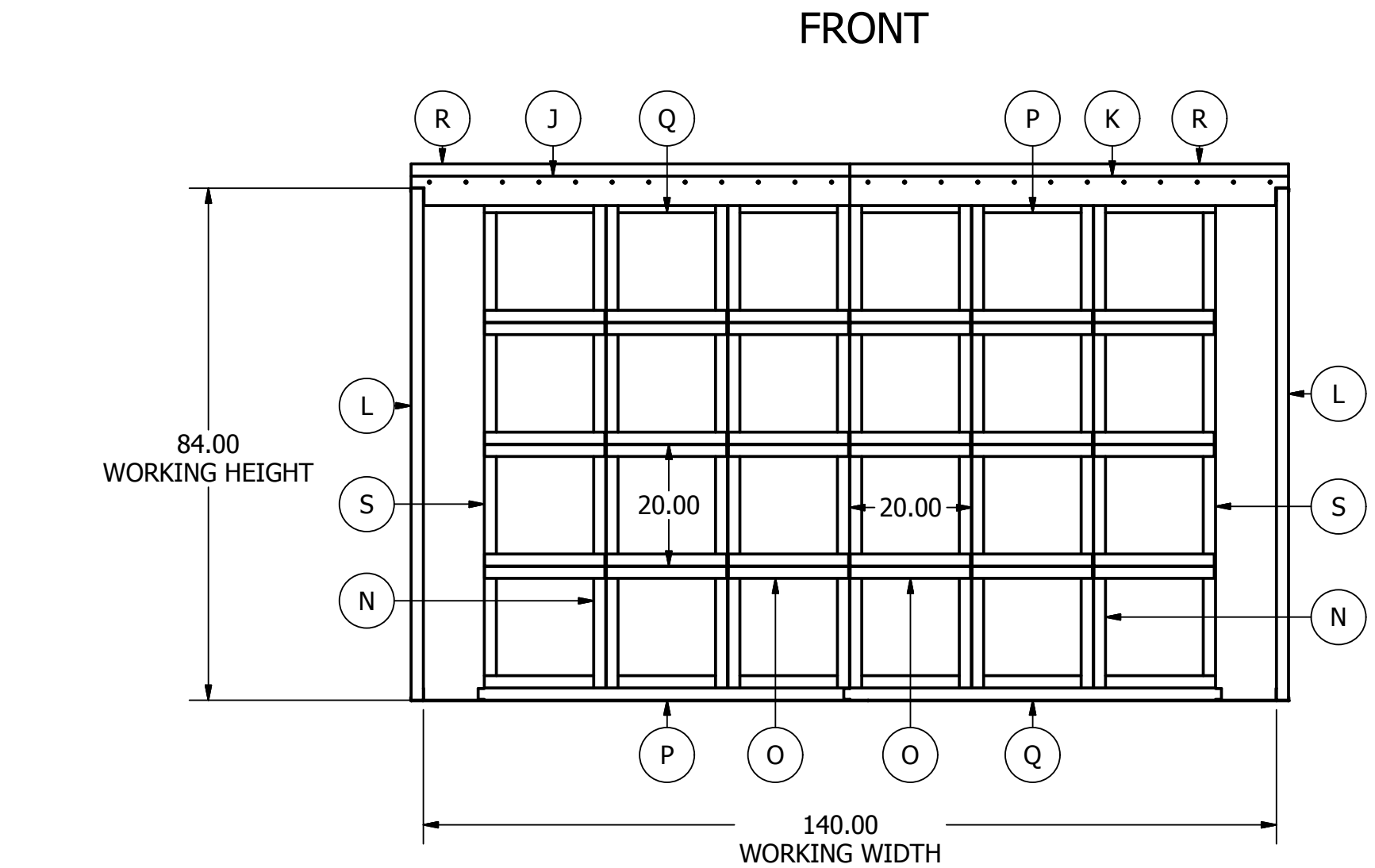
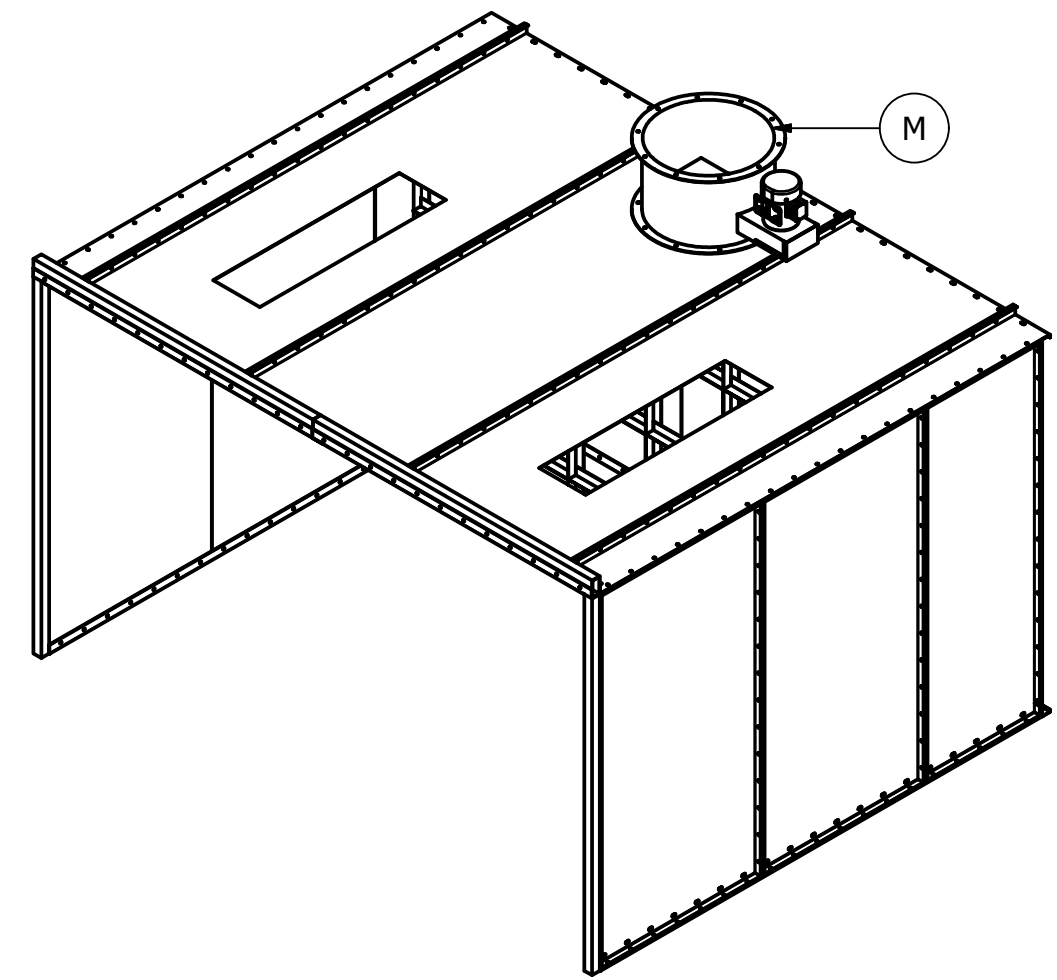
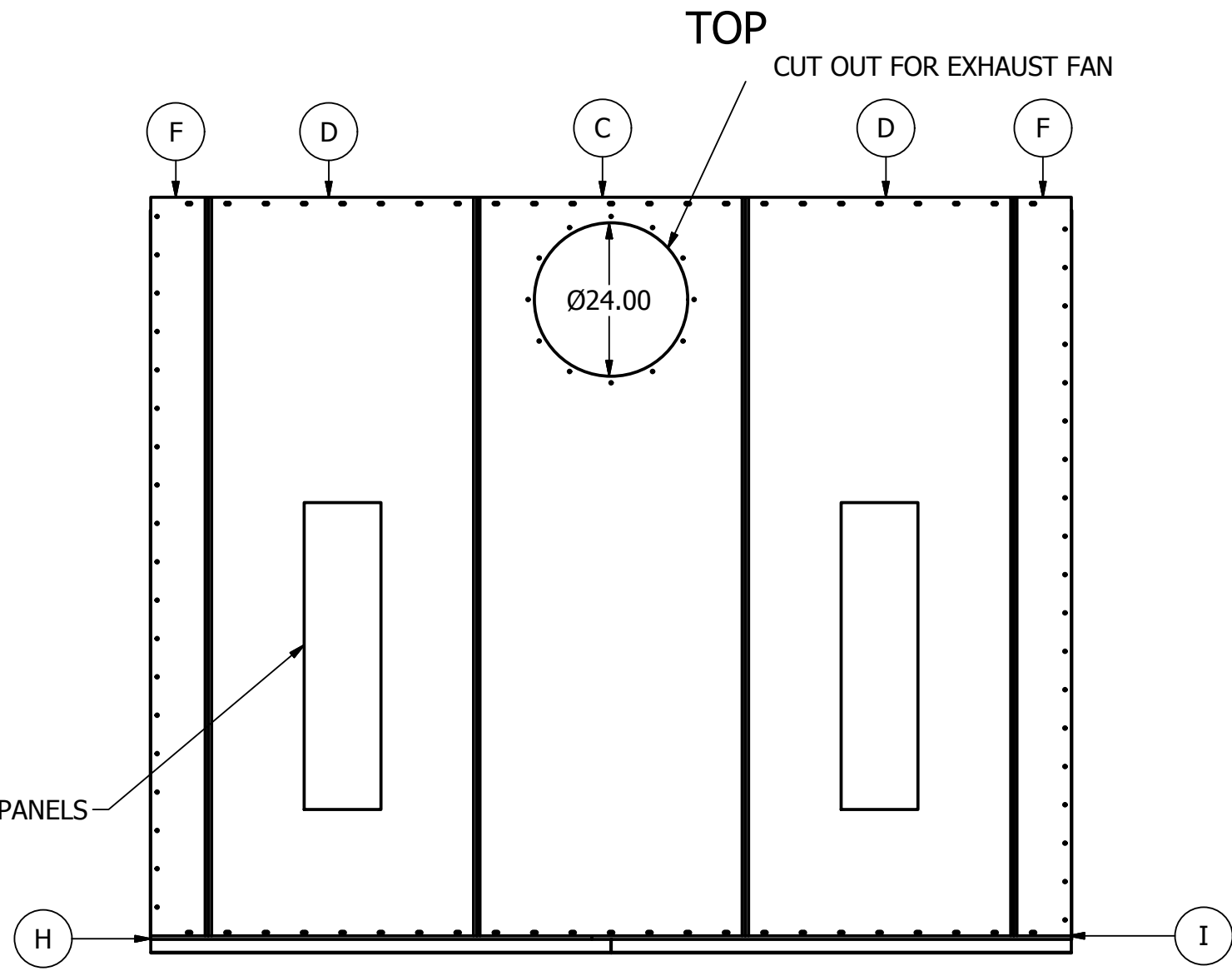


PARTS LIST		
ITEM	QTY	PART NUMBER
A	7	42 X 84
B	2	30 X 84
C	1	42 X 116 FAN
D	2	42 X 116 LIGHT
E	2	9 X 84
F	2	9 X 116
G	4	114 TRIM
H	3	69 TRIM
I	3	75 TRIM
J	1	72 FIRE GAURD LH
K	1	72 FIRE GAURD RH
L	2	2 X 2 X 84
M	1	FAN ASSEMBLY
N	5	79.75 DIVIDER
O	18	19.75 DIVIDER
P	2	HORIZONTAL PLENUM LH
Q	2	HORIZONTAL PLENUM RH
R	2	2 X 4 X 72
S	2	VERTICAL PLENUM



PLENUM COSIST OF:

- 2 - VERTICAL PLENUM PANELS
- 2 - HORIZONTAL PLENUM LH PANELS
- 2 - HORIZONTAL PLENUM RH PANELS
- 5- 79.75 "T" DIVIDERS
- 18 - 19.75 "T" DIVIDERS

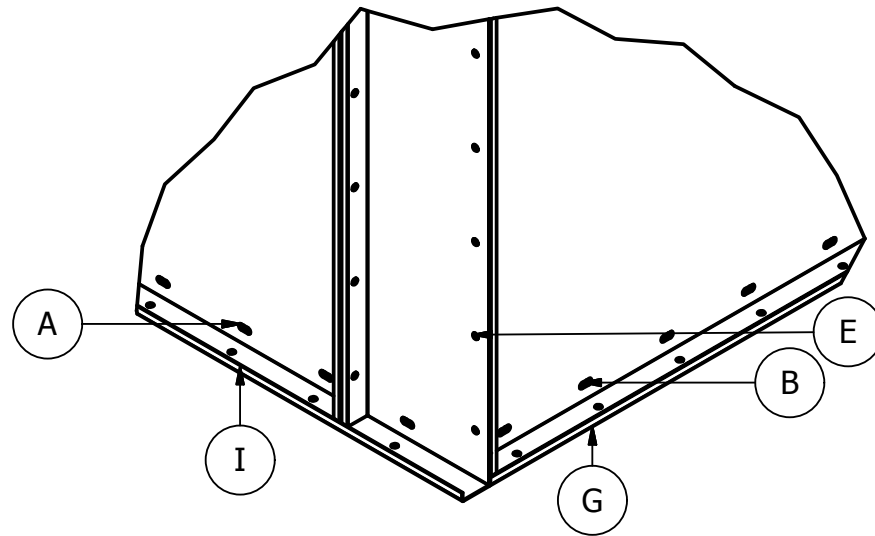
FASTEN PLENUM PANELS TO SIDE WALL PANELS USING SELF DRILLING SCREWS. FRONT OF PLENUM IS EVEN WITH PANEL "B". FASTEN DIVIDERS 20.00 APART ON CENTER USING SELF DRILLING SCREWS.

NOTE: ALL PANELS CONSTRUCTED FROM 18GA GALVANIZED G90 STEEL

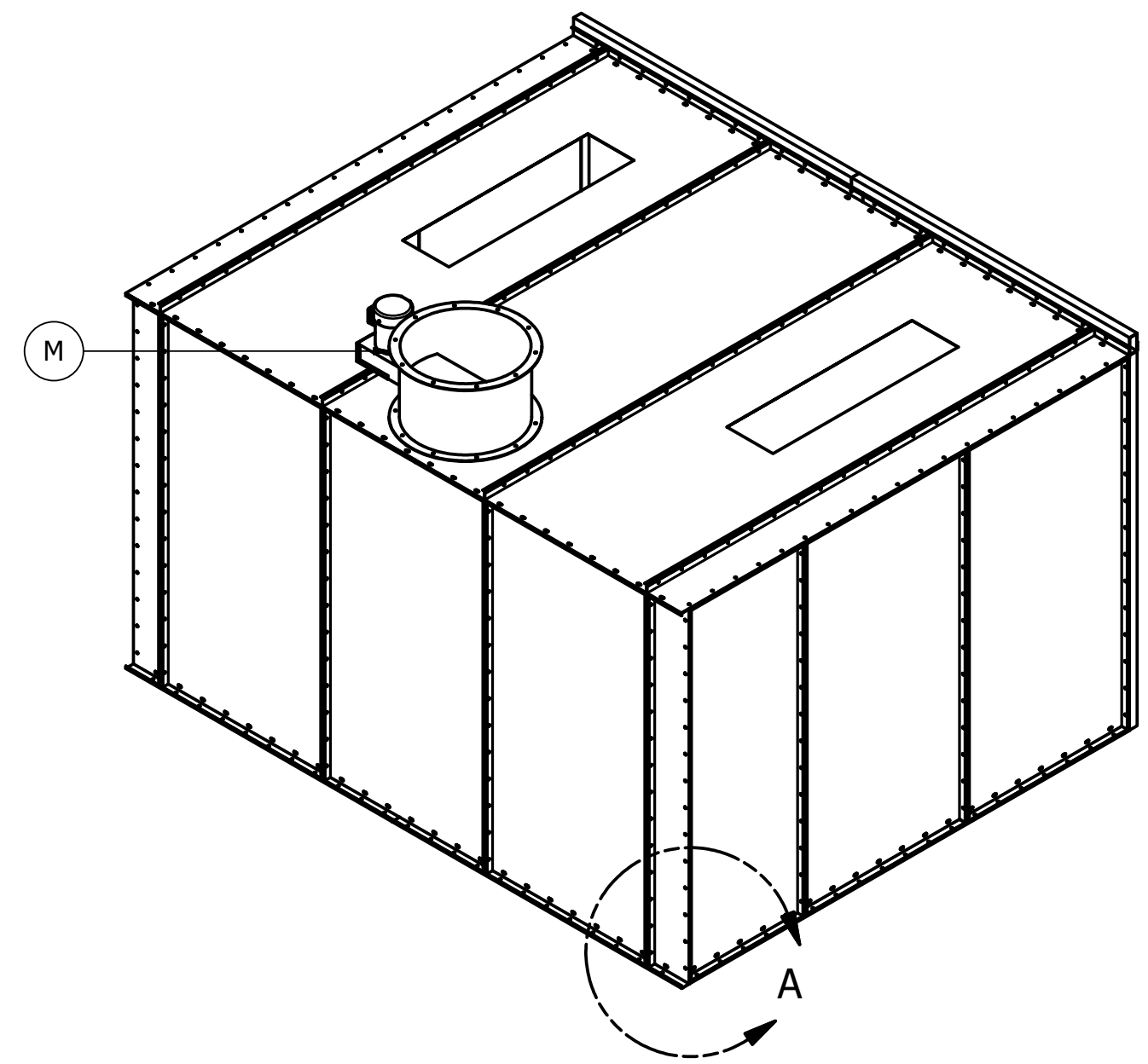
DRAWN Tyler Cook	5/27/2013	JC METAL FABRICATION		
CHECKED		TITLE		
QA		JCOF1277		
MFG		SIZE C	DWG NO JCOF1277	REV A
APPROVED		SCALE 1/25	SHEET 1 OF 3	

PARTS LIST		
ITEM	QTY	PART NUMBER
A	7	42 X 84
B	2	30 X 84
C	1	42 X 116 FAN
D	2	42 X 116 LIGHT
E	2	9 X 84
F	2	9 X 116
G	4	114 TRIM
H	3	69 TRIM
I	3	75 TRIM
J	1	72 FIRE GAURD LH
K	1	72 FIRE GAURD RH
L	2	2 X 2 X 84
M	1	FAN ASSEMBLY
N	5	79.75 DIVIDER
O	18	19.75 DIVIDER
P	2	HORIZONTAL PLENUM LH
Q	2	HORIZONTAL PLENUM RH
R	2	2 X 4 X 72
S	2	VERTICAL PLENUM

EXAMPLE OF REAR PANEL INTERSECTION

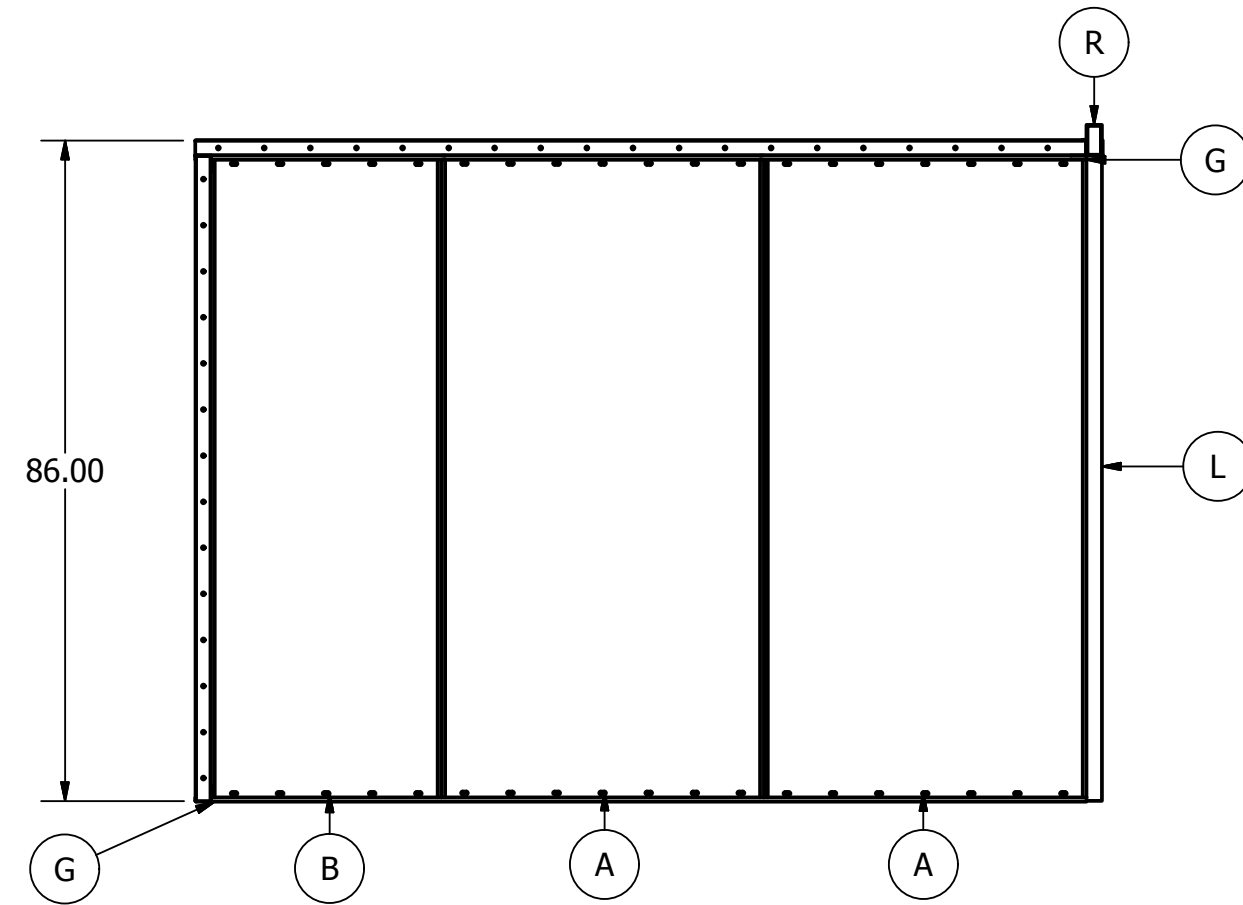
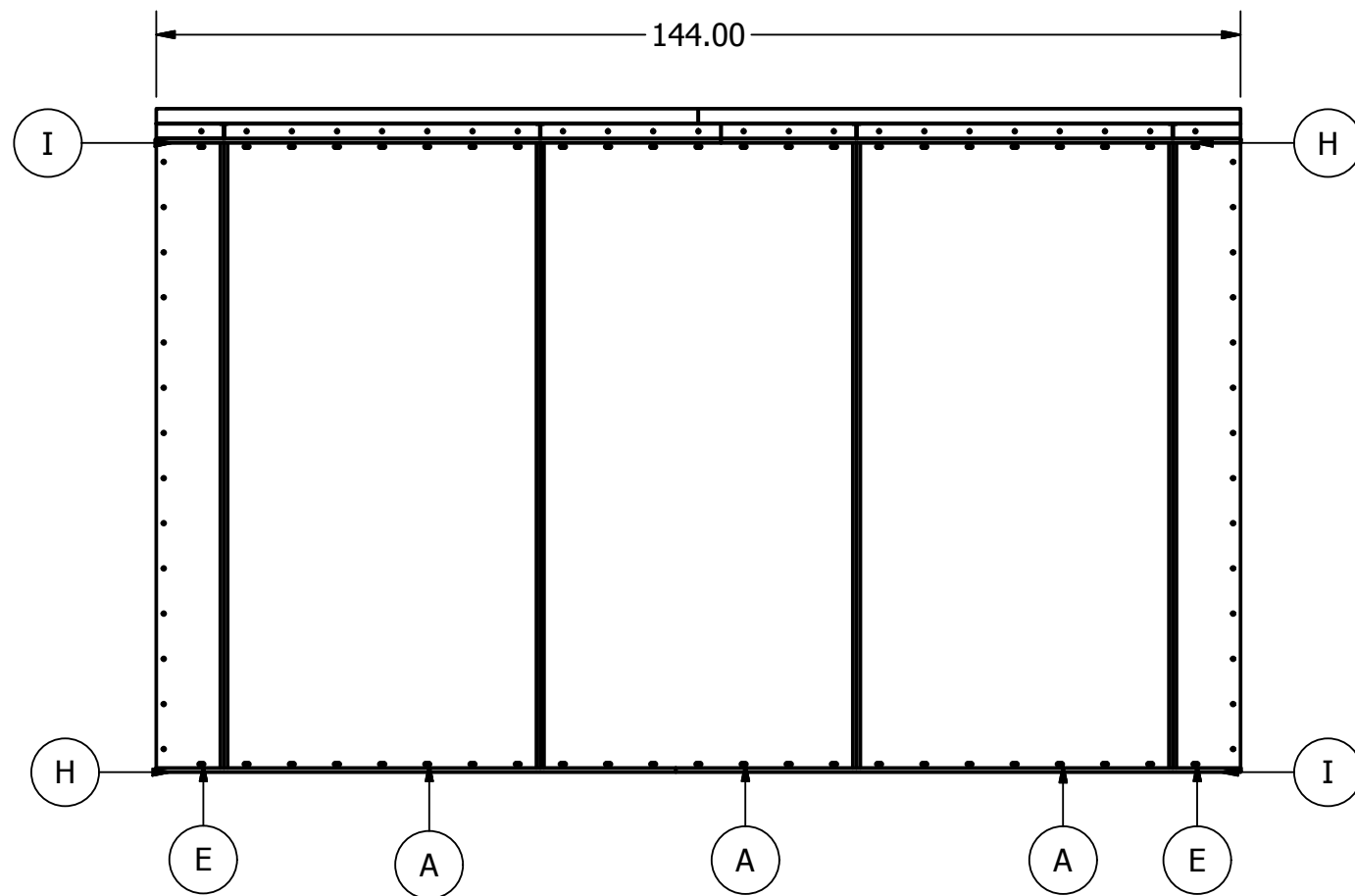


DETAIL A
SCALE 1/10



LEFT

BACK



PLENUM COSIST OF:

- 2 - VERTICAL PLENUM PANELS
- 2 - HORIZONTAL PLENUM LH PANELS
- 2 - HORIZONTAL PLENUM RH PANELS
- 5- 79.75 "T" DIVIDERS
- 18 - 19.75 "T" DIVIDERS

FASTEN PLENUM PANELS TO SIDE WALL PANELS USING SELF DRILLING SCREWS. FRONT OF PLENUM IS EVEN WITH PANEL "B". FASTEN DIVIDERS 20.00 APART ON CENTER USING SELF DRILLING SCREWS.

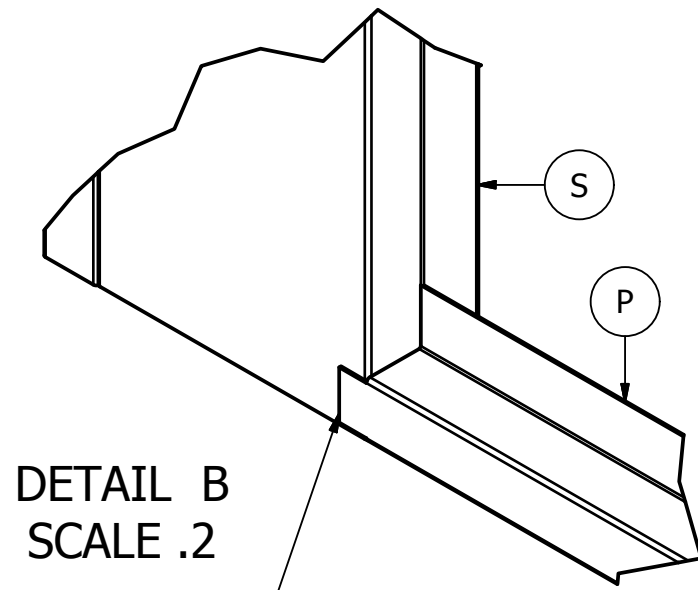
NOTE: ALL PANELS CONSTRUCTED FROM 18GA GALVANIZED G90 STEEL

DRAWN Tyler Cook	5/27/2013	JC METAL FABRICATION		
CHECKED		TITLE		
QA		JCOF1277		
MFG		SIZE C	DWG NO JCOF1277	REV A
APPROVED		SCALE 1/25	SHEET 2 OF 3	

PARTS LIST		
ITEM	QTY	PART NUMBER
A	7	42 X 84
B	2	30 X 84
C	1	42 X 116 FAN
D	2	42 X 116 LIGHT
E	2	9 X 84
F	2	9 X 116
G	4	114 TRIM
H	3	69 TRIM
I	3	75 TRIM
J	1	72 FIRE GAURD LH
K	1	72 FIRE GAURD RH
L	2	2 X 2 X 84
M	1	FAN ASSEMBLY
N	5	79.75 DIVIDER
O	18	19.75 DIVIDER
P	2	HORIZONTAL PLENUM LH
Q	2	HORIZONTAL PLENUM RH
R	2	2 X 4 X 72
S	2	VERTICAL PLENUM

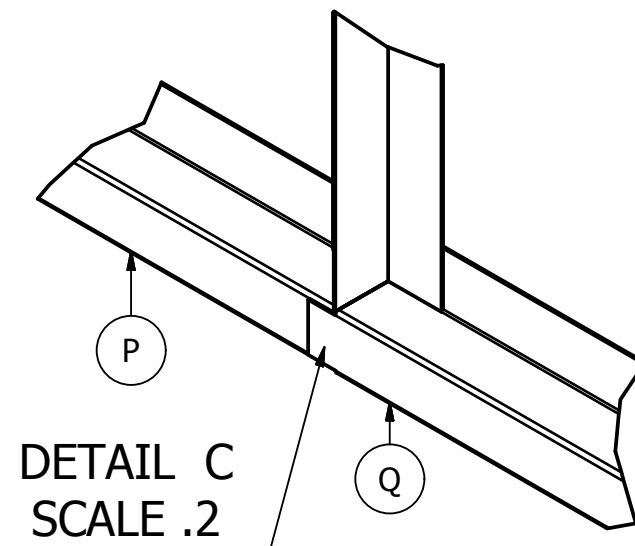
PLENUM ONLY VIEWS

EXAMPLE OF VERTICAL AND HORIZONTAL PLENUM PANEL CONNECTION

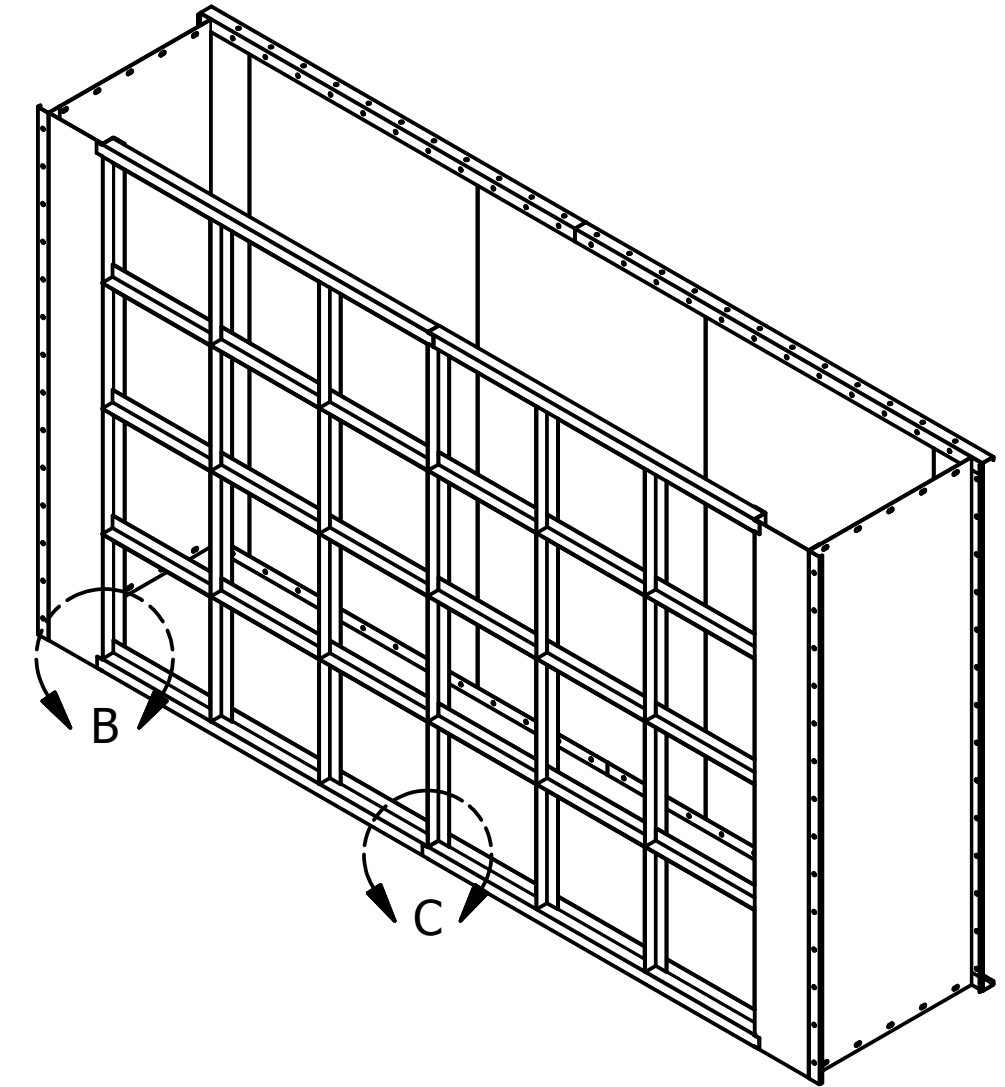


FASTEN HORIZONTAL PLENUM PANELS TO THE VERTICAL PLENUM PANELS AT THIS LOCATION USING SELF DRILLING SCREWS

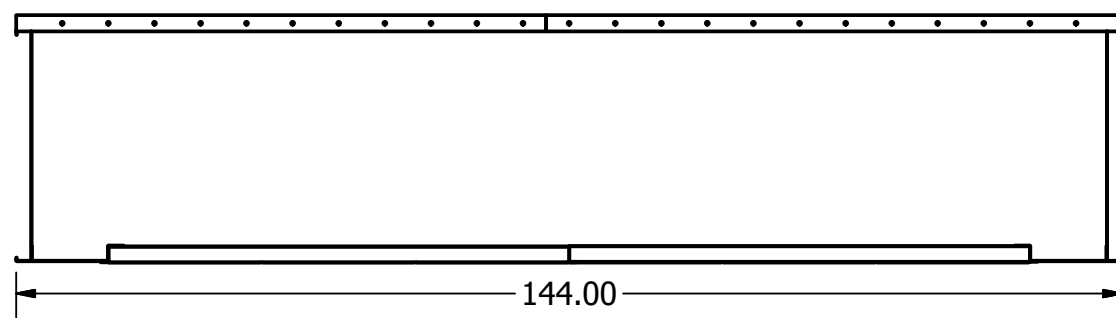
EXAMPLE OF HORIZONTAL PLENUM PANEL CONNECTION



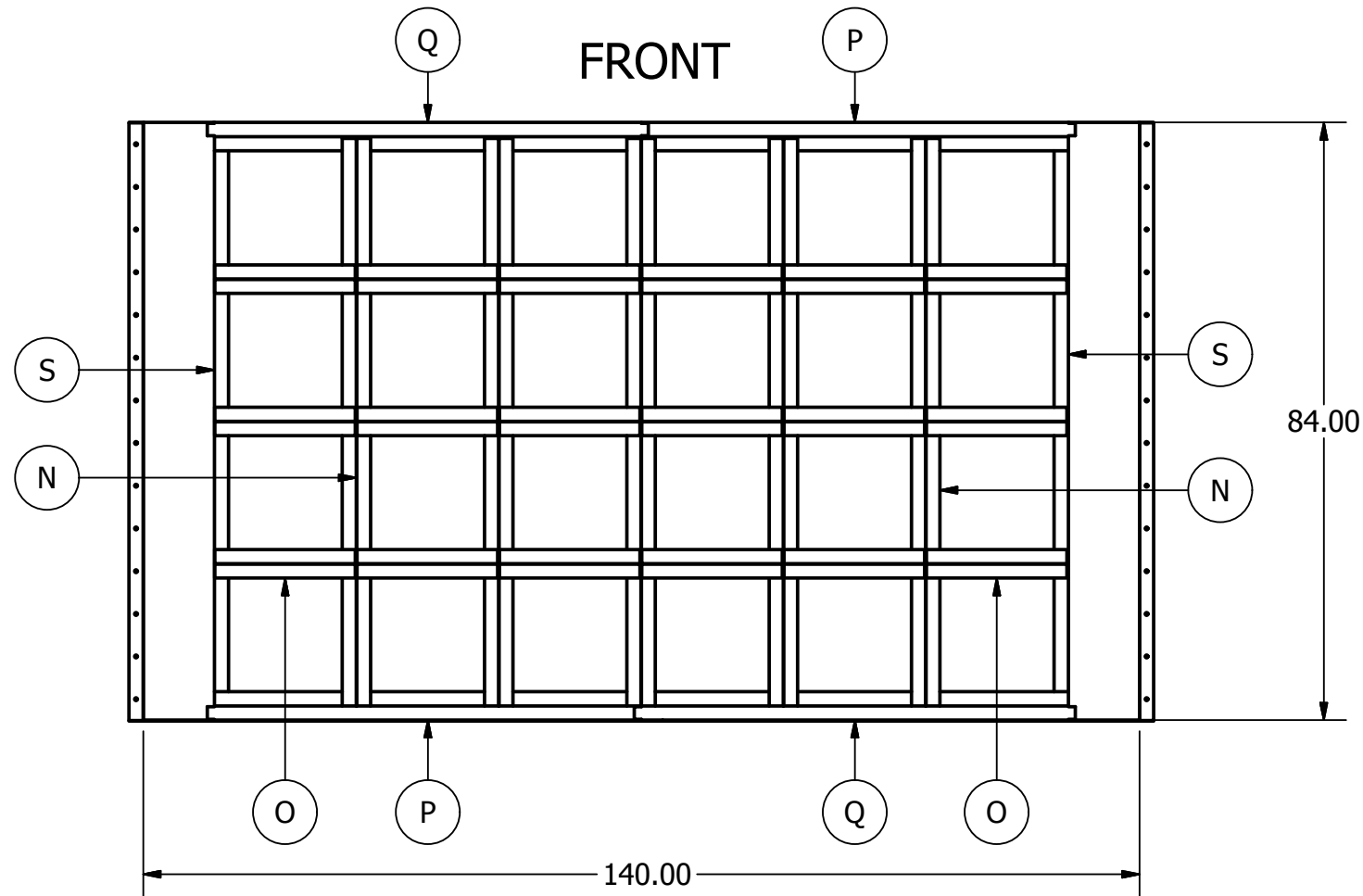
FASTEN HORIZONTAL PLENUM PANELS TOGETHER AT THIS LOCATION USING SELF DRILLING SCREWS



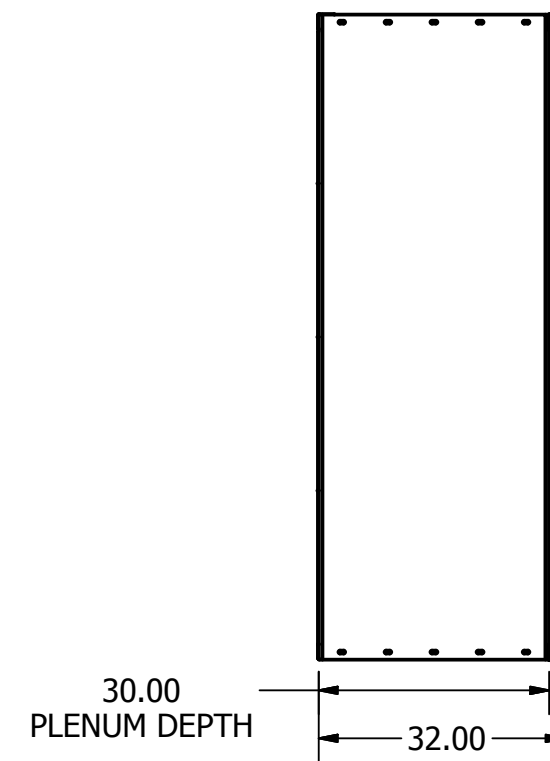
TOP



FRONT



RIGHT



PLENUM COSIST OF:

- 2 - VERTICAL PLENUM PANELS
- 2 - HORIZONTAL PLENUM LH PANELS
- 2 - HORIZONTAL PLENUM RH PANELS
- 5- 79.75 "T" DIVIDERS
- 18 - 19.75 "T" DIVIDERS

FASTEN PLENUM PANELS TO SIDE WALL PANELS USING SELF DRILLING SCREWS. FRONT OF PLENUM IS EVEN WITH PANEL "B". FASTEN DIVIDERS 20.00 APART ON CENTER USING SELF DRILLING SCREWS.

DRAWN Tyler Cook	5/27/2013	TITLE	
CHECKED		JCOF1277	
QA		SIZE C	DWG NO JCOF1277
MFG		SCALE	REV A
APPROVED		SHEET 3 OF 3	